



AKKID  
ONE  
3

**Designed  
in Sweden**



**UN regulation no. 129**

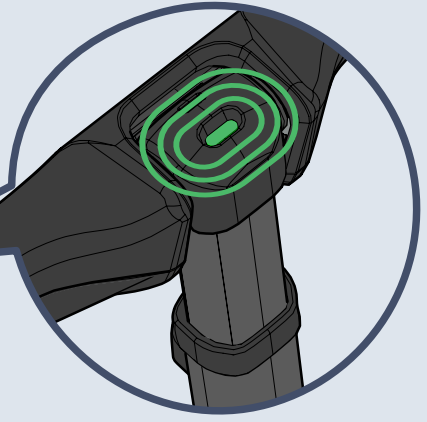
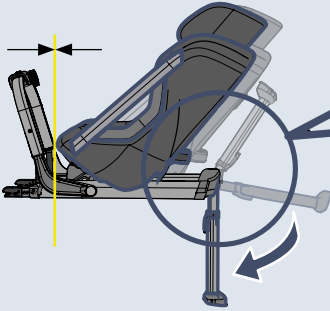
**Instruction Manual**

AXKID ONE+3 car seat 0-23kg, 40-125 cm

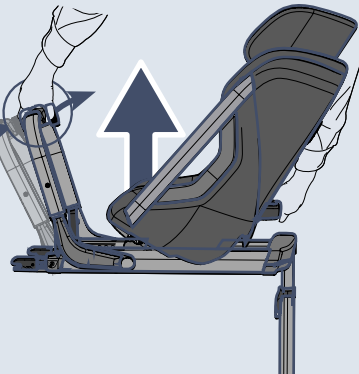
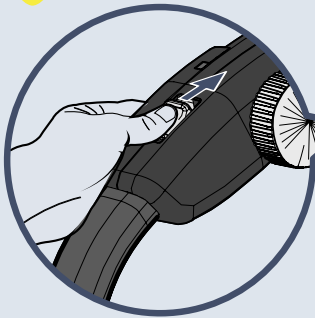
AXKID ONE 3 car seat 0-23kg, 61-125 cm



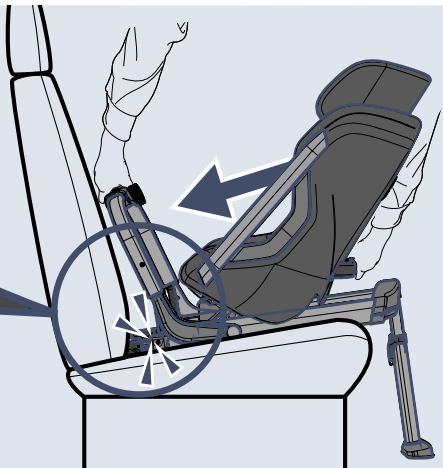
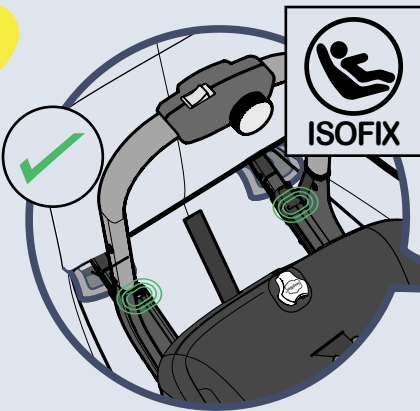
1



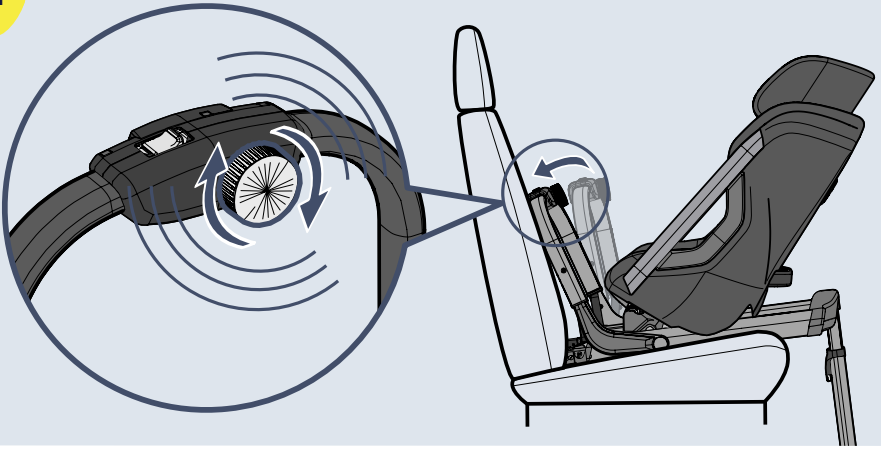
2



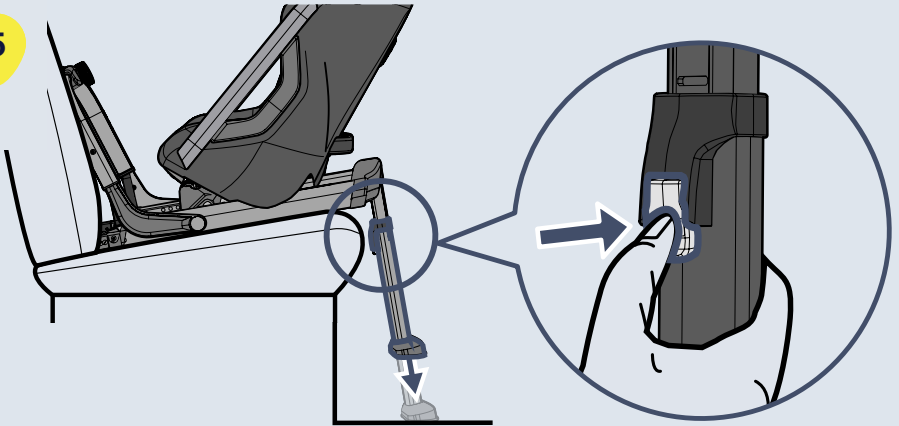
3



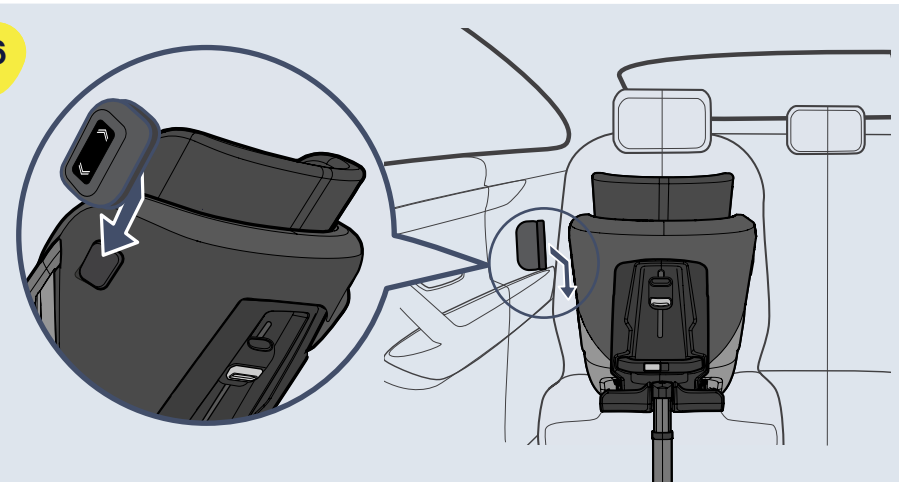
4



5

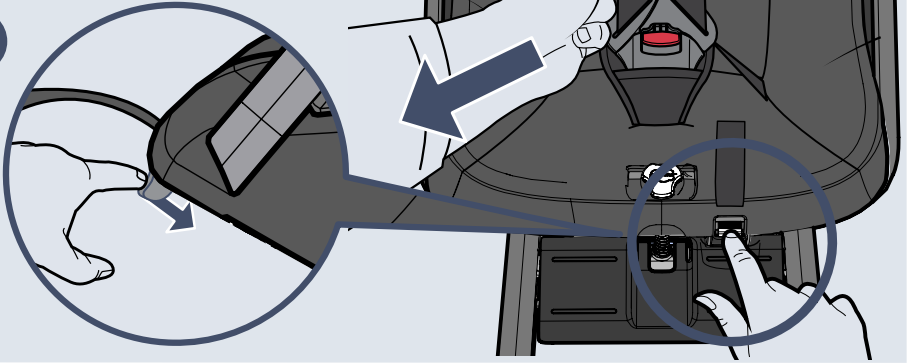


6

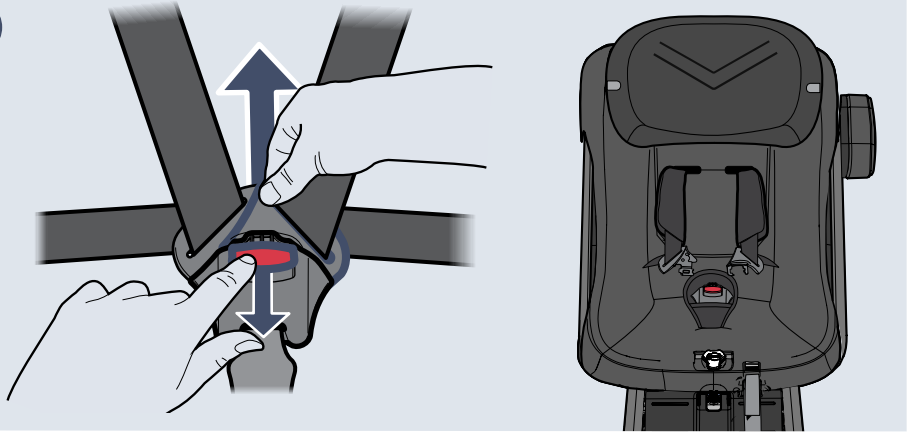




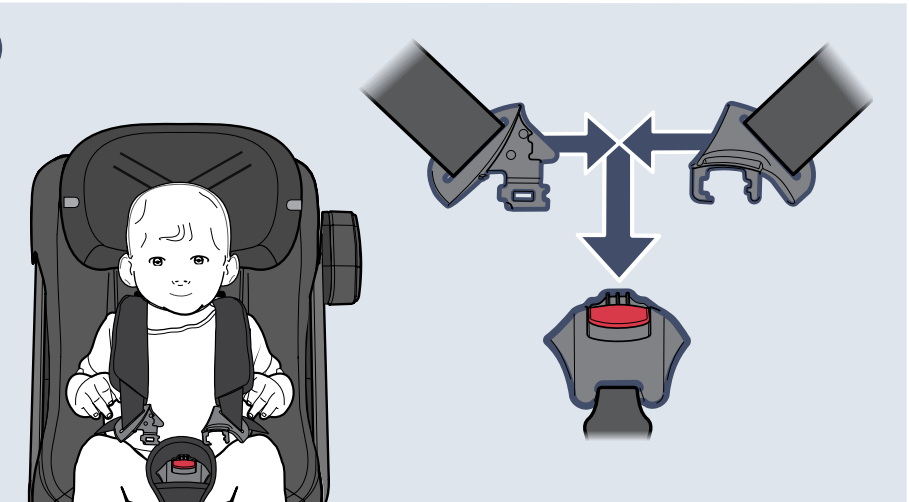
7



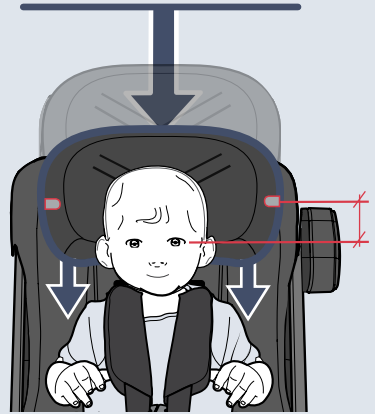
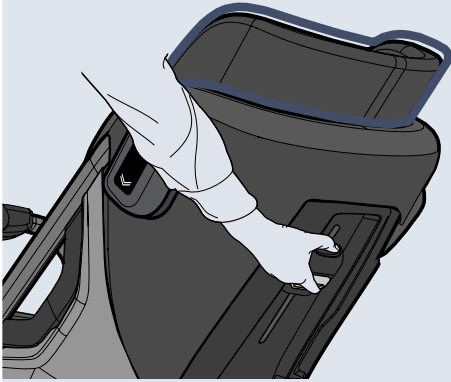
8



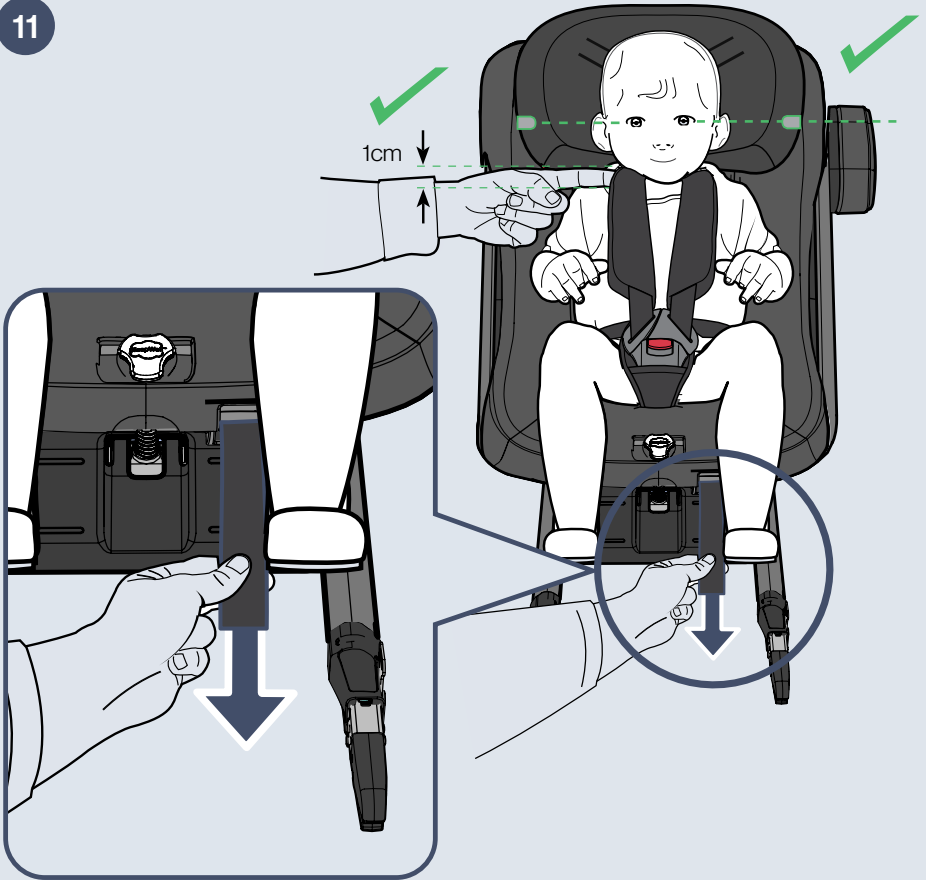
9

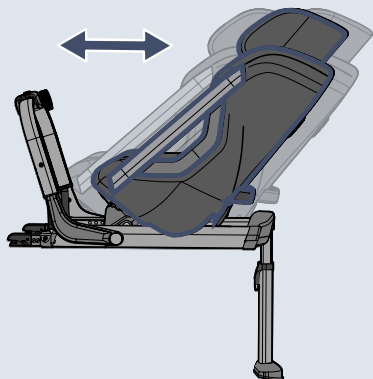


10



11

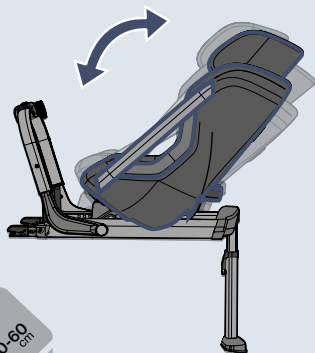
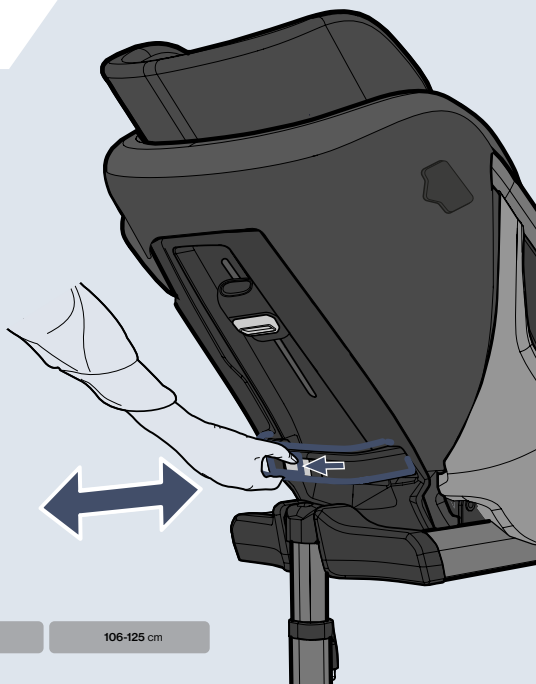




0-60 cm

61-105 cm

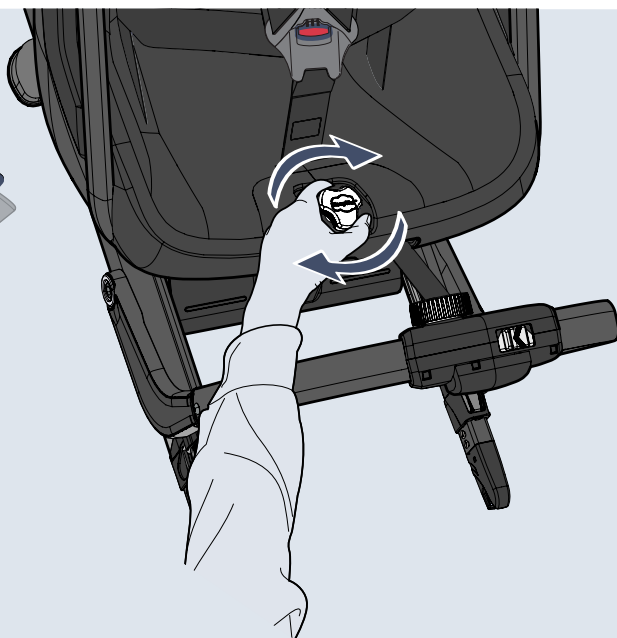
106-125 cm

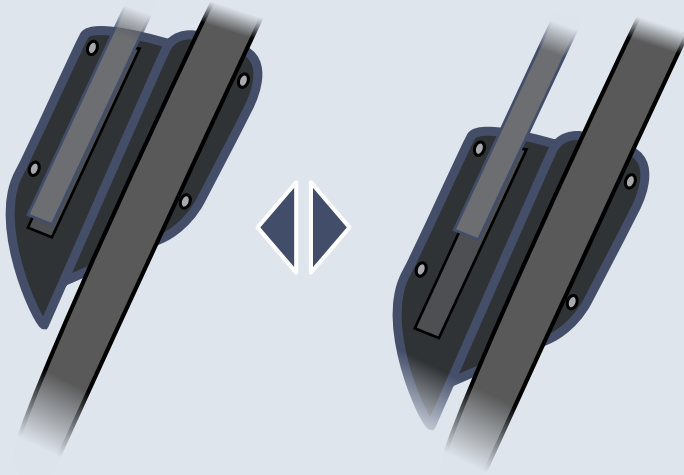


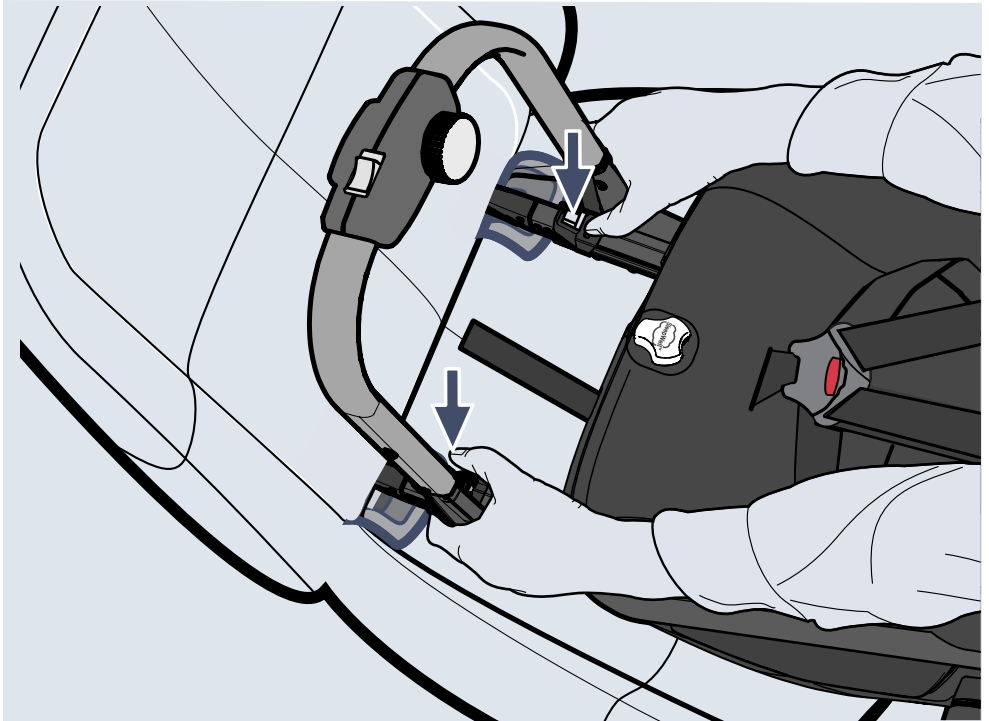
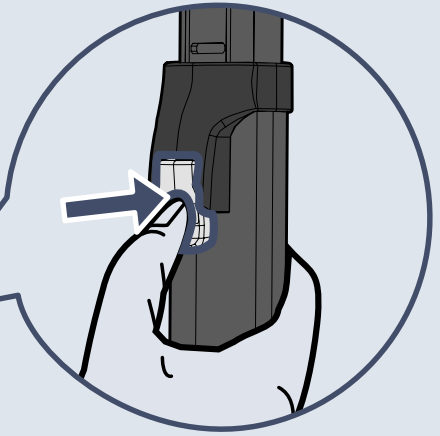
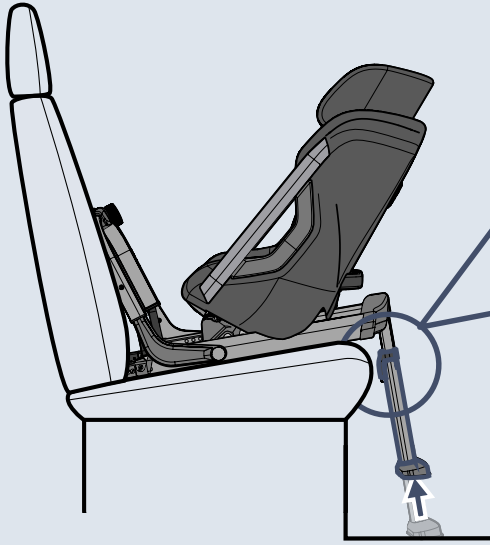
0-60 cm

61-105 cm

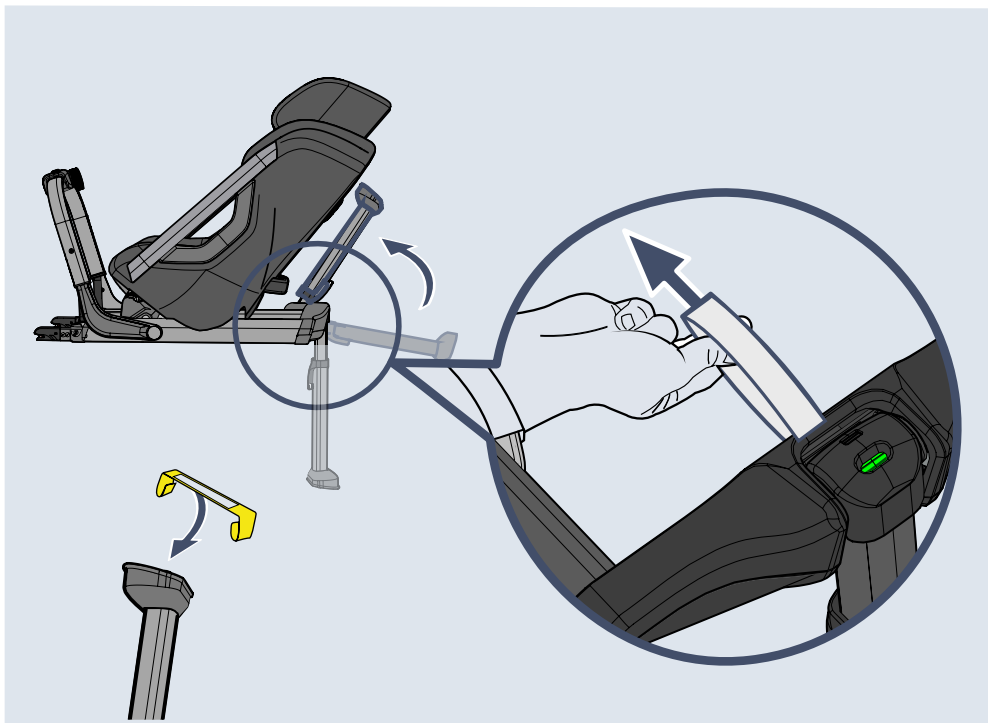
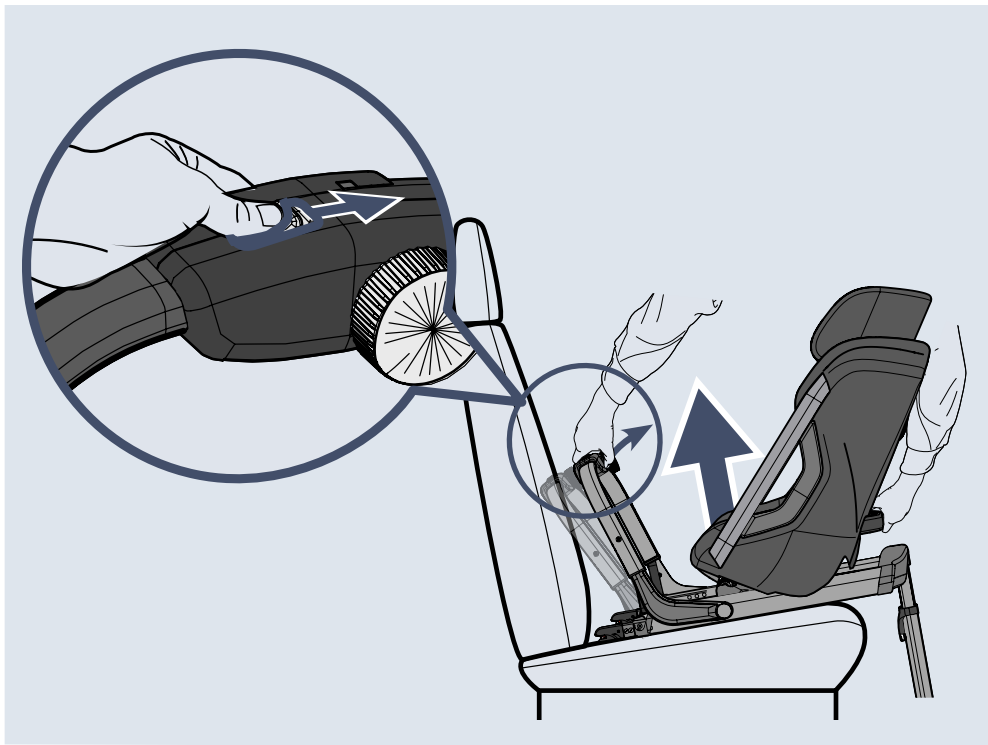
106-125 cm











Sverige/Norge  
Axxkid AB  
www.axkid.com  
info@axkid.com  
Tel: (+46) 511 760 620

UK/Ireland  
Axxkid Ltd  
www.axkid.com  
salesuk@axkid.com  
Tel: (+46) 511 760 620

France  
Axxkid AB  
www.axkid.com  
info@axkid.com  
Tel (+33) 06 07 01 87 73

Deutschland  
Axxkid GmbH  
www.axkid.com  
kundenservice@axkid.com  
Tel: +(49) 60-99 84 89 05

España/Portugal/Andorra  
WOBABIES  
www.wobabies.com  
contacto@wobabies.com  
Tel: (+34) 916 32 56 46

Polsce  
Junior Andrzej Kwapinski  
Horbaczewskiego 4-6  
54-130 Wroclaw Dh Astra Sklep  
Poland Tel: +(48) 713 549 723

Czech Republic  
Domecek pro deti  
www.domecekprodeti.cz  
info@domecekprodeti.cz  
(+42) 0727 981 815

România  
SC Baby Car seats  
www.axkid.ro  
maria@axkid.ro  
(+40) 0747 35 47 47

New Zealand  
Clicksafe  
www.clicksafe.co.nz/axkid  
axkid@clicksafe.co.nz  
Tel: (+64) 212 504 215

Suomi  
Lastentarvike  
www.lastentarvike.fi  
info@lastentarvike.fi  
(+358) 09 852 05 100

Malaysia  
SafenSound  
www.safensound.com.my  
may@safensound.com.my  
(+60) 358 70 22 84

Greece Ελλάδα  
Serbia Србија  
LETO shop  
www.letoshop.gr  
christos@letoshop.gr  
(+30) 211 102 67 30

Eesti  
GreenHansa OÜ  
www.beebipood.ee  
riho@beebipood.ee  
(+372) 5300 8000

Latvia  
Muki  
www.muki.lv  
jurgis@muki.lv  
(+371) 292 828 98

Lietuva  
Kotryna Group  
www.kotrynagroup.com  
kotryna@kotryna.lt  
(+370) 521 322 54

South Africa  
Quality Imports SA &  
#Carseatfullstop  
www.qualityimportssa.co.za  
qualityimportssa@gmail.com  
(+27) 11 789 7119

Ísland  
Leiftur  
www.leiftur.is  
kristmann@leiftur.is  
(+354) 821 25 37

한국  
공식 수입처 : Silver fox Company  
본사 : 경남 김해시 진영읍 진산대로 215  
대표전화 : 1588-3598  
A/S문의 : 1588-3598(내선5번)

Japan  
Chameleon & Co. Inc  
www.chameleonco.jp  
+81(0)3-6265-6974

Ukraine  
CF ALLIANCE UKRAINE LTD LLC  
www.alliance.com.ua /  
www.producto.com.ua  
info@aliance.com.ua  
Tel: (+38) 0444660312

Croatia  
BRILAD d.o.o.  
www.bebastore.hr  
brilad@brilad.hr  
(+385) 91 400 1001

AXXKID

<b>EN</b>	12-21
<b>DE</b>	22-31
<b>ES</b>	32-41
<b>IT</b>	42-51
<b>FR</b>	52-61
<b>PL</b>	62-71
<b>SV</b>	72-81
<b>NO</b>	82-91
<b>DA</b>	92-101
<b>FI</b>	102-111
<b>LV</b>	112-121
<b>PT</b>	122-131
<b>RO</b>	132-141
<b>AR</b>	142-151
<b>KO</b>	152-161
<b>JA</b>	162-171
<b>BG</b>	172-181
<b>TH</b>	182-191
<b>UK</b>	192-201
<b>HR</b>	202-211

# Thank you for choosing AXKID ONE 3

Read this instruction manual before installing AXKID ONE 3 car seat in your vehicle.  
For more information and installation videos visit [www.axkid.com](http://www.axkid.com).

**AXKID ONE 3** car seat is a rear-facing car seat approved for children with a height between 61-125 cm or with a maximum weight of 23 kg.

**AXKID ONE+ 3** car seat is a rear-facing car seat approved for children with a height between 40-125 cm or with a maximum weight of 23 kg.

This is an i-Size Enhanced Child Restraint System. It is approved according to UN Regulation No. 129, for use in, i-Size compatible vehicle seating positions as indicated by vehicle manufacturers in the vehicle user's manual. If in doubt, consult either the Enhanced Child Restraint System manufacturer ([www.axkid.com](http://www.axkid.com)) or the retailer.

## Important information

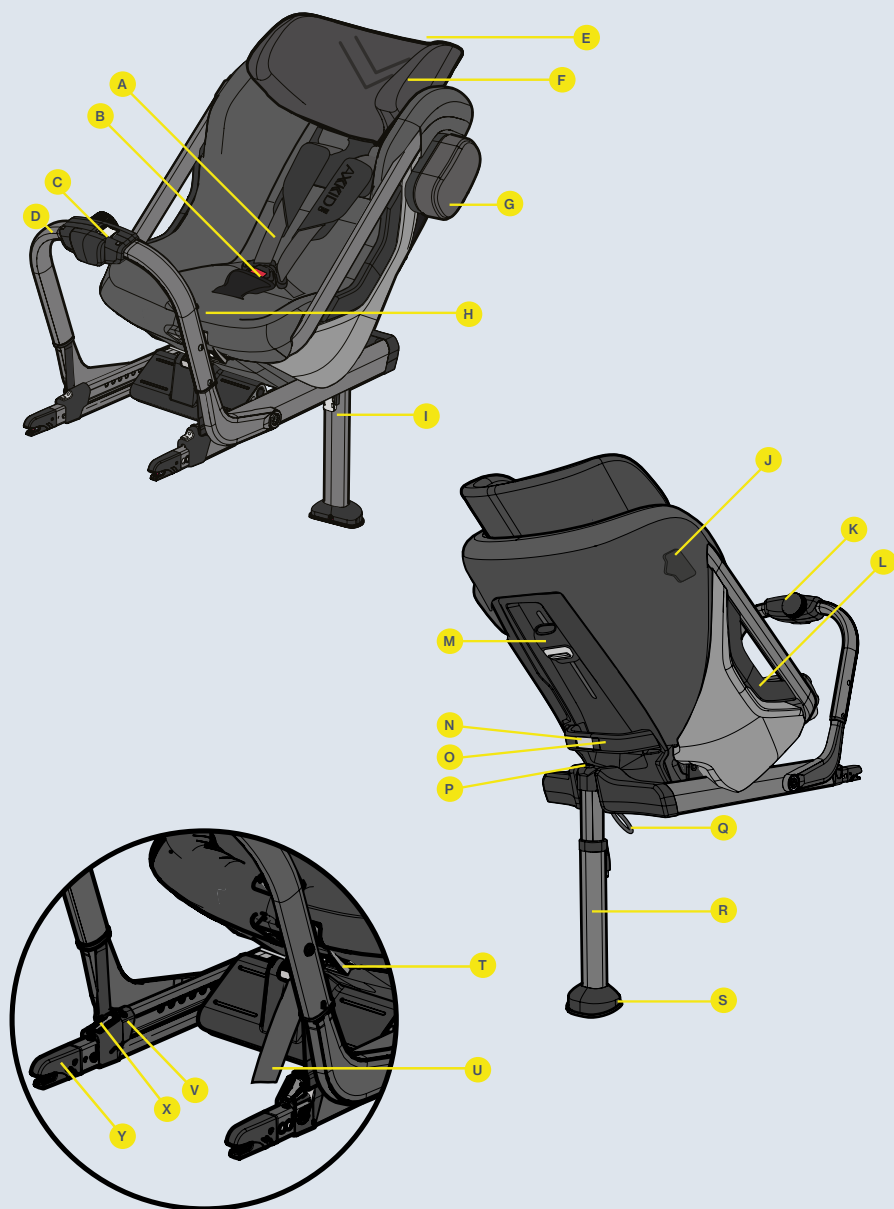
To maximize your child's safety, it is important that you keep following in mind:

- Always follow the instructions in this manual. An incorrect installation may seriously affect the safety for your child. If in doubt, contact your retailer who can demonstrate a correct installation.
- For the latest version of the instruction manual, visit [www.axkid.com/manuals](http://www.axkid.com/manuals).
- Do not use AXKID ONE 3 car seat in a seating position where an active frontal airbag is fitted. If you still wish to install AXKID ONE 3 car seat in this location the airbag must be switched off according to the vehicle manufacturers instructions.
- Should you have an accident, no matter how small, your car seat should always be replaced. It may have damage that is nonvisual and could seriously affect the safety of your child. For this reason, Axkid does not recommend purchasing secondhand car seats.
- If AXKID ONE 3 car seat has been exposed to direct sunlight, make sure the car seat is not too hot before installing your child.
- Never leave your child unattended in the vehicle.
- Ensure that any luggage or loose objects are secured in your vehicle as they may cause injuries to passengers in the event of an accident.
- Ensure that AXKID ONE 3 car seat is installed in a way where no parts become trapped by movable seats, car doors, etc.
- AXKID ONE 3 car seat may only be installed rear-facing.
- Always make sure that the harness is adjusted to correctly fit your child's body. The harness is adjusted by moving the head support.
- Make sure that the child's back is pushed against the car seat when restraining your child with the harness.
- Always make sure that the harness is firmly tightened against your child and that the buckle is completely locked, you should not be able to pinch the straps.
- Make sure there is no twist in the harness.
- Always make sure the support-leg is in its correct position and have contact with the vehicle floor. Check that the indicator on top of the support-leg is green and that you don't hear any beeping sound from the support-leg foot.
- Do not attempt to disassemble nor modify any part of AXKID ONE 3 car seat. The warranty and the safety performance of AXKID ONE 3 car seat could be affected if doing so.
- Never use AXKID ONE 3 car seat without the seat textile cover. The seat textile cover is a safety feature and may only be replaced with an Axkid original seat textile cover.
- Read the vehicle handbook to find which seating positions is suitable for this seat.
- Axkid recommends to always use a seat protection to protect your vehicle seat from scratches and dirt.
- If any doubts, contact the retailer where the car seat was purchased or contact [info@axkid.com](mailto:info@axkid.com)

# Table of content

Parts	14
Allowed and disallowed positioning of AXKID ONE 3 car seat	16
Installing AXKID ONE 3 car seat in the vehicle	17
Restraining your child in AXKID ONE 3 car seat	18
Seat adjustments	19
Adjusting AXKID ONE 3 car seat	19
Removing AXKID ONE 3 car seat from the vehicle	20
Care and maintenance	20
Warranty	21

# Parts



Shoulder straps (A)	Headrest adjustment buttons (M)
Buckle release button (B)	Legroom adjustment button (N)
Front brace release button (C)	Back handle (O)
Front brace (D)	Support-leg position indicator (P)
Headrest (E)	Support-leg release strap (Q)
Eye level indicator (F)	Support-leg (R)
ASIP pad (G)	Sound indicator (S)
Recline position knob (H)	Harness release button (T)
Support-leg button (I)	Harness tension strap (U)
ASIP connector (J)	ISOFIX locking indicators (V)
Front brace knob (K)	ISOFIX buttons (X)
Side cover (L)	ISOFIX connectors (Y)

# Allowed and disallowed positioning of AXKID ONE 3 car seat

AXKID ONE 3 car seat can only be installed rear-facing using ISOFIX. It is approved for use in all i-Size approved seating positions but may also fit in other non i-Size-approved ISOFIX seating positions. Check your vehicle instruction manual to find suitable seating positions and check the vehicle list on [www.axkid.com](http://www.axkid.com)

Front passenger seat with ISOFIX (no active airbag)	YES/NO*
Front passenger seat with ISOFIX (active airbag)	NO
Rear passenger seat with ISOFIX	YES
Side and rear facing seats with ISOFIX	NO
Seats without ISOFIX	NO



**IMPORTANT:** If you wish to install your AXKID ONE 3 car seat in a location where a frontal airbag is fitted, the airbag must be disconnected according to your vehicle manufacturer instruction. Note that some vehicles require an authorized service center to disconnect the airbag.

\* The General Regulation of Traffic in Spain, in its article 117, establishes the prohibition of driving with children of stature equal to or less than 135 centimeters located in the front seats of the vehicle, without exceptions.



Never install a child restraint in a passenger seat where an active airbag is fitted.







# Installing AXKID ONE 3 car seat in the vehicle

**1**

Before installing AXKID ONE 3 car seat in your vehicle, minimize its size by releasing the legroom adjustment button (N) and slide the seat towards the front brace (D). Fold down the support-leg (R) until a click can be heard and the support-leg position indicator (P) turns green.

**2**

Release the front brace release button (C) and fold the front brace (D) towards the seat. Keep holding the front brace (D) with one hand and grab the back handle (O) with the other hand and lift the AXKID ONE 3 car seat into your vehicle with the front brace (D) first and then turn it to a rear-facing position.

**3**

Push the ISOFIX connectors (Y) into the ISOFIX connection points in the vehicle until you hear a click and both ISOFIX locking indicators (V) turn green.

**4**

Let go of the front brace (D) which will start tensioning itself against the vehicle seat. When it stops, turn the front brace knob (K) clockwise until you feel and hear a click, the front brace (D) should now be firmly pressed against the vehicle seat. The front brace knob (K) has a built-in torque limiter and the click indicates that the front brace (D) is tightened correctly and cannot be tightened any more.

**5**

Push the support-leg button (I) and pull the support-leg (R) downwards until it is in contact with the vehicle floor. Let go of the support-leg button (I) and lift the car seat upwards to further extend the support-leg (R) until you hear a click. The support-leg (R) should now be locked and firmly pressed against the vehicle floor. Note: The AXKID ONE 3 car seat is equipped with a beeping sound indicator (S) that will keep beeping until the support-leg (R) is firmly pressed against the floor, indicating a correct installation.

**6**

Push the ASIP pad (G) into the slots on the ASIP connector (J) and slide downwards, the ASIP pad (G) will click into place. If there is a plastic cover on the ASIP connector (J), remove it and place it on the ASIP connector (J) on the opposite side of the seat before fitting the ASIP pad (G). Make sure the ASIP pad (G) is attached on the side of AXKID ONE 3 car seat that is closest to the vehicle door.



# Restraining your child in AXKID ONE 3 car seat

Before restraining your child in the AXKID ONE 3 car seat, make sure you have the correct insert installed in the seat. AXKID ONE 3 is designed to grow with your child and to ensure a comfortable and safe fit for all children. Axkid recommends using the relevant insert until it is too tight for your child, but to a minimum length according to table below (note that the age is just an indication):

Age	Height	
Infant 0-6 month (AXKID ONE+ 3 only)	0 – 60 cm	
Toddler 0-3 years	61 – 105 cm	
Child 3-7 years	106 – 125 cm	

7

Loosen the harness by pressing the harness release button (T) and pull out both shoulder straps (A) at the same time. Avoid pulling only one strap at the time since it may cause the shoulder straps (A) to become uneven.

8

Unlock the buckle by pressing the buckle release button (B) and place the straps outside of the seat.

9

Place your child in the seat and place the shoulder straps (A) over your child's shoulder. Lock the harness by first positioning the parts of the buckle that is attached to the shoulder straps (A) together and then push them into the buckle until you hear a click.

10

Adjust the headrest (E) until the eye level indicators (F) is in line with your child's eyes by pushing both headrest adjustment buttons (M) and slide it upwards or downwards. Note: the eye level indicators (F) shall not be used when using the infant insert (AXKID ONE+ 3 only). When using AXKID ONE+ 3 for infants, always make sure that the headrest is in the lowest position.

11

Check that the shoulder straps (A) is going through the seat straight from your child's shoulders or maximum 1 cm above. You might need to adjust the headrest (E) again, even if it makes the eye level indicator get out of line with your child's eyes. Now pull on the shoulder straps (A) to tighten the harness over your child's hips. While keeping tension in the shoulder straps (A), pull the harness tension strap (U) until the harness is tightened enough, you should not be able to fit more than one finger between the shoulder straps (A) and your child's shoulders.



# Seat adjustments

After the AXKID ONE 3 car seat has been installed in your vehicle you can easily adjust both the legroom and the recline position for your child. This can also be done while your child is restrained in the car seat.

To ensure a good fit in all cars and give the best protection for your child, Axkid strongly recommends that you use the guided positions marked on the side of the car seat. As your child grows it is important to adjust the recline to a more upright position to give the best possible protection for your child's neck in the case of an accident.

The size indication is based on your child's length. Make sure both arrows points at the correct zone.

Age	Adjustment	
Infant 0-6 month (AXKID ONE+3 only)	Maximum recline Minimum legroom	
Toddler 0-3 years	All recline positions Several legroom positions	
Child 3-7 years	Maximum upright position Maximum legroom	

## Adjusting AXKID ONE 3 car seat

- The legroom is adjusted by releasing the legroom adjustment button (N) and sliding the seat forward or backwards. To avoid AXKID ONE 3 from accidentally sliding forward, grab the back handle (O) and gently pull it backwards before releasing the legroom adjustment button (N).
- The recline position of the car seat can be adjusted by turning the recline position knob (H).



# Removing AXKID ONE 3 car seat from your vehicle

- Push the support-leg button (I) and collapse the support-leg (R) to its shortest position.
- Slide the front brace release button (C) and fold the front brace (D) towards the seat to release the tension against the vehicle seat.
- Disconnect the ISOFIX connectors (Y) by pushing down on the ISOFIX buttons (X) and then slide them backwards, away from the vehicle seat.
- Keep holding the front brace (D) with one hand and grab the back handle (O) with the other hand and lift AXKID ONE 3 car seat out of your vehicle.
- Fold up the support-leg (R) by pulling the support-leg release strap (Q) and folding the support-leg (R) upwards.

## Care and maintenance

- The seat textile cover can be machine washed at 30° C on a gentle cycle. Do not put the cover in a dryer as this can damage the cover and the padding may separate from the fabric. Visit [www.axkid.com](http://www.axkid.com) to find videos explaining how to remove and attach the cover.
- To remove the textile cover from the seat, pull outwards on the side cover (L) and de-attach the eyelet of the textile. Open the buttons at the backrest and gently remove the cover from the seat. Make note how it is attached around the seat to make it easier to put back. When reinstalling the side cover (L), insert it under the aluminum frame and simply push back into the snap attachment. To remove the headrest cover, open the zippers and the buttons on the bottom of the headrest and back padded cover and gently remove the cover.
- If the seat cover needs replacing, ensure only original products from Axkid are used. If other products are used, AXKID ONE 3 car seat's safety system may be compromised and could lead to severe injury in case of an accident.
- Any plastic parts of AXKID ONE 3 car seat can be cleaned with mild detergent and water. Do not use aggressive chemicals containing solvents or similar, as this can cause damage to the plastic and compromise the safety of the car seat.
- All materials used in AXKID ONE 3 car seat are recyclable and should be recycled as per your local legislation. Ask your local recycling center for advice when recycling this product.
- The sound indicator (S) contains a replaceable CR1632 battery. Please remove and recycle the battery according to your local legislation when the AXKID ONE 3 car seat should no longer be used. Unscrew the two screws at the bottom of the support-leg (R) and remove the cover to gain access to the battery.
- Do not make any modifications or alterations to AXKID ONE 3 car seat other than those described in this instruction manual.
- Any repairs must be carried out by the manufacturer or agent.

# Warranty

AXKID ONE 3 car seat is covered by a 24-month warranty from date of purchase. Ensure you save your receipt and bring it to your place of purchase if you have any warranty issues.

The warranty does not cover:

- Normal wear and tear
- Damage due to incorrect use, neglect or accident
- If repairs have been carried out by a third party
- All materials used have a very high UV-resistance rating. However, UV-light is very aggressive and will ultimately lead to fading of the seat cover. This is not covered by our warranty as it is considered normal wear and tear.
- Handle the seat with care. Note that the backside mesh fabric scratches easily and damages other than factory faulty mesh, will not be covered by the warranty.

## Recycling your seat



Axkid strongly recommends recycling of old car seats. Before leaving the seat at your local recycling station separate metal and plastic parts if possible. The main part of the seat should be marked unsafe or expired (use a marker) to deter anyone from using it again. Please check your local municipal guidelines for recycling instructions for the different materials.



# Vielen Dank, dass Sie sich für den AXKID ONE 3 entschieden haben

Bitte lesen Sie die Anleitung vor der Installation des Axkid Ones in Ihrem Fahrzeug sorgsam durch. Für weitergehende Informationen und Installationsvideos rufen Sie bitte die Webseite [www.axkid.com](http://www.axkid.com) auf.

Der **AXKID ONE 3** Autokindersitz ist ein rückwärtsgerichteter Kindersitz, der für Kinder von einer Größe von 61-125cm und einem Maximalgewicht von 23kg zugelassen ist.  
Der **AXKID ONE+ 3** Autokindersitz ist ein rückwärtsgerichteter Kindersitz, der für Kinder von einer Größe von 40-125cm und einem Maximalgewicht von 23kg zugelassen ist.

Der AXKID ONE 3 ist ein erweiterter i-Size Kindersitz. Er ist nach der UN R129 Richtlinie zur Nutzung auf i-Size kompatiblen Plätzen im Auto gemäß dem Handbuch des jeweiligen Autoherstellers zugelassen. Im Zweifel wenden Sie sich bitte an den Kindersitzhersteller ([www.axkid.com](http://www.axkid.com)) oder Ihren Händler.

## Wichtige Informationen

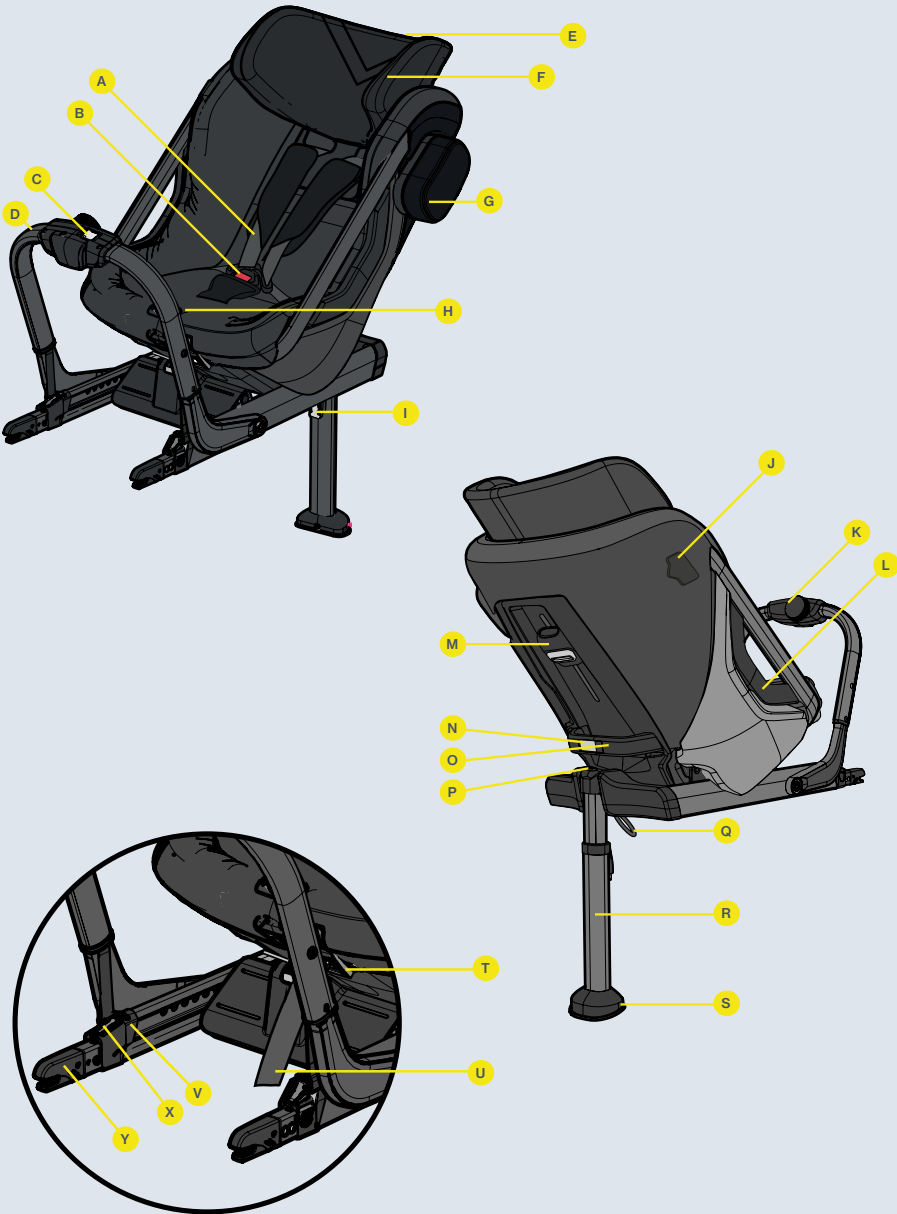
Um die beste Sicherheit für Ihr Kind zu ermöglichen, ist es wichtig, dass Sie die folgenden Punkte beachten:

- Folgen Sie immer der Anleitung. Eine inkorrekte Installation kann die Sicherheit Ihres Kindes gravierend beeinflussen. Sollten Sie sich unsicher sein, wenden Sie sich bitte an Ihren Händler für einen korrekten Einbau und Nutzung.
- Die neueste Version des Benutzerhandbuchs finden Sie unter [www.axkid.com/manuals](http://www.axkid.com/manuals).
- Nutzen Sie den AXKID ONE 3 Kindersitz nicht in einer Sitzposition, auf Sitzplätzen, auf denen ein aktiver Frontalairbag eingebaut ist. Wenn Sie den AXKID ONE 3 auf einem solchen Sitzplatz installieren möchten, muss der Airbag gemäß den Instruktionen des Autoherstellers komplett ausgeschaltet sein.
- Sollten Sie einen Unfall haben, egal wie klein, sollten Sie Ihren Kindersitz immer austauschen. Der Sitz könnte nicht sichtbare Schäden haben, die die Sicherheit Ihres Kindes ernsthaft beeinflussen könnten. Aus diesem Grund rät Axkid vom Kauf von gebrauchten Kindersitzen ab.
- Sollte der AXKID ONE 3 direktem Sonnenlicht ausgesetzt sein, vergewissern Sie sich bitte, dass der Kindersitz nicht zu heiß ist, bevor Sie Ihr Kind hineinsetzen.
- Lassen Sie Ihr Kind niemals unbeaufsichtigt allein im Auto zurück.
- Vergewissern Sie sich, dass jegliches Gepäck oder lose Gegenstände sicher verstaut sind, da herumfliegende Gegenstände Passagiere im Falle eines Unfalls verletzen können.
- Vergewissern Sie sich, dass der AXKID ONE 3 so installiert ist, dass keine Teile von beweglichen Sitzen, Autotüren usw. eingeklemmt werden.
- Der AXKID ONE 3 kann ausschließlich rückwärtsgerichtet installiert werden.
- Sorgen Sie stets dafür, dass der Sicherheitsgurt korrekt an die Statur Ihres Kindes angepasst ist. Die Gurthöhe wird durch die Bewegung der Kopfstütze angepasst.
- Stellen Sie stets sicher, dass der Rücken Ihres Kindes immer komplett im Kindersitz anliegt, wenn Sie Ihr Kind anschnallen.
- Schnallen Sie Ihr Kind stets straff an, stellen Sie sicher, dass das Gurtschloss geschlossen ist und sodass es nicht möglich ist, die Gurte zusammenzukneifen.
- Vergewissern Sie sich, dass die Gurte nicht verdreht sind.
- Der Stützfuß muss immer in der korrekten Position sein und Kontakt mit dem Boden des Fahrzeugs haben. Prüfen Sie, ob der Indikator auf dem Stützfuß grün anzeigt, und dass Sie keinen Piepton vom Stützfuß hören.
- Versuchen Sie niemals einen Teil vom AXKID ONE 3 abzubauen oder baulich zu verändern. Die Garantie und die Sicherheitsfunktionen des Kindersitzes können davon maßgeblich beeinflusst werden.
- Benutzen Sie niemals der AXKID ONE 3 Kindersitz ohne den Kindersitzbezug. Der Bezug ist ein fester Sicherheitsbestandteil des Sitzes und kann nur durch einen original Axkid Kindersitzbezug ersetzt werden.
- Lesen Sie das Handbuch Ihres Fahrzeugs sorgfältig durch, um zu überprüfen, welcher Sitzplatz für den Kindersitz geeignet ist.
- Axkid empfiehlt stets einen Trittschutz zu nutzen, um den Autositz vor Kratzern und Dreck zu schützen.
- Sollten Sie Fragen haben, wenden Sie sich an Ihren Händler, bei dem Sie den Kindersitz gekauft haben, oder kontaktieren Sie Axkid unter [info@axkid.com](mailto:info@axkid.com).

# Inhaltsverzeichnis

Komponenten	24
Erlaubte und unerlaubte Sitzpositionen des AXKID ONE 3 Kindersitz	26
Installation des AXKID ONE 3 im Fahrzeug	27
Neigungsverstellung des AXKID ONE 3 Kindersitzes	28
Sitzverstellungen	29
Sitzanpassungen	29
Ausbau des AXKID ONE 3 aus Ihrem Fahrzeug	30
Pflege und Wartung	30
Garantie	31

# Komponenten





Schultergurte (A)	Kopfstützenverstellung (M)
Gurtschloss (B)	Beinfreiheitsverstellungsknopf (N)
Überrollbügelauflöser (C)	Rückseitiger Griff (O)
Überrollbügel (D)	Stützfußpositionsanzeiger (P)
Kopfstütze (E)	Stützfußlöseband (Q)
Augenhöhe Markierung (F)	Stützfuß (R)
ASIP pad (G)	Tonindikator (S)
Neigungsverstellungsknopf (H)	Gurtlöseknopf (T)
Stützfußverstellknopf (I)	Gurtstraffer (U)
ASIP Konnektor (J)	ISOFIX Verriegelungsindikator (V)
Überrollbügelknopf (K)	ISOFIX Knopf (X)
Seitlicher Bezug (L)	ISOFIX Konnektoren (Y)

# Erlaubte und unerlaubte Sitzpositionen des AXKID ONE 3 Kindersitz

Der AXKID ONE 3 Kindersitz kann ausschließlich rückwärtsgerichtet und mit ISOFIX eingebaut werden. Er ist für alle i-Size geprüften Sitzplätze zugelassen und passt möglicherweise auch auf nicht-i-Size geprüfte Sitzplätzen. Überprüfen Sie das Bordhandbuch Ihres Fahrzeugs, um einen passenden Platz für den Kindersitz zu finden. Überprüfen Sie ebenfalls die Fahrzeugliste auf [www.axkid.com](http://www.axkid.com).

Beifahrersitz mit ISOFIX (deaktivierter Airbag)	JA/NEIN*
Beifahrersitz mit ISOFIX (aktivierter Airbag)	NEIN
Rücksitzbanksitzplatz mit ISOFIX	JA
Seitlich oder rückwärtsgerichtete Autositze mit ISOFIX	NEIN
Autositz ohne ISOFIX	NEIN



**WICHTIG:** Wenn Sie Ihren AXKID ONE 3 auf einem Autositz installieren wollen, für den ein Frontalairbag installiert ist, muss der Airbag gemäß den Autoherstellerangaben deaktiviert werden. Bitte beachten Sie, dass manche Fahrzeuge dazu eine offizielle Werkstatt benötigen.

\* Die allgemeine Verkehrsregelung in Spanien sieht in ihrem Artikel 117 das Verbot vor, mit Kindern mit einer Körpergröße von höchstens 135 Zentimetern auf den Vordersitzen des Fahrzeugs zu fahren, mit Ausnahmen.



Verwenden Sie den Kindersitz niemals auf Sitzplätzen mit aktiven Airbags.





# Installation des AXKID ONE 3 im Fahrzeug

1

Bevor Sie den AXKID ONE 3 Kindersitz in Ihrem Fahrzeug installieren, minimieren Sie seinen Platzbedarf indem Sie den Beinfreiheitsverstellungsknopf (N) drücken und den Sitz in Richtung des Überrollbügels (D) bewegen. Klappen Sie den Stützfuß (R) herunter bis Sie ein Klick hören und der Stützfußpositionsanzeiger (P) grün ist.

2

Lösen Sie den Überrollbügelauslöser (C) und bewegen den Überrollbügel (D) in Richtung des Kindersitzes. Halten Sie den Überrollbügel (D) weiterhin mit einer Hand fest und greifen mit der anderen Hand den rückseitigen Griff (O) und heben den AXKID ONE 3 in Ihr Fahrzeug mit dem Überrollbügel (D) zuerst. Drehen Sie den Sitz dann in eine rückwärtsgerichtete Position in Ihrem Fahrzeug.

3

Drücken Sie die ISOFIX Konnektoren (Y) in die ISOFIX Verankerungen Ihres Fahrzeugs bis Sie ein Klick hören und beide ISOFIX Verriegelungsindikatoren (V) grün anzeigen.

4

Lassen Sie den Überrollbügel (D) los, der sich dann von selbst in Richtung des Autositzes spannen wird. Sobald er stoppt, drehen Sie den Überrollbügelknopf (K) im Uhrzeigersinn bis Sie ein Klick hören. Der Überrollbügel (D) sollte fest gegen den Autositz gepresst sein. Der Überrollbügelknopf (K) hat einen eingebauten Drehmomentbegrenzer und das Klick-Geräusch weißt darauf hin, dass der Überrollbügel (D) korrekt festgespannt wurde und nicht weiter spannbar ist.

5

Drücken Sie den Stützfußverstellungsknopf (I) und ziehen Sie den Stützfuß (R) soweit herunter, bis der den Fahrzeugboden berührt. Lassen Sie den Stützfußverstellungsknopf (I) los und heben den Kindersitz hoch, um den Stützfuß (R) weiter auszufahren bis Sie ein Klick hören. Der Stützfuß (R) sollte nun verriegelt sein und fest auf dem Fahrzeugboden stehen. Bemerkung: Der AXKID ONE 3 Kindersitz ist mit einem Tonindikator (S) ausgestattet, der piept, bis der Stützfuß (R) fest auf dem Fahrzeugboden steht und damit die korrekte Installation anzeigt.

6

Drücken Sie das ASIP Pad (G) in die Aussparungen des ASIP Konnektors (J) und schieben es nach unten, bis das ASIP Pad (G) einklickt. Sollte eine Plastikkappe auf dem ASIP Konnektor (J) angebracht sein, nehmen Sie diese ab und setzen es auf den ASIP Konnektor (J) auf der gegenüberliegenden Seite des Kindersitzes, bevor Sie das ASIP Pad (G) anbringen. Vergewissern Sie sich, dass das ASIP Pad (G) auf der Seite angebracht wird, die sich am nächsten zur Fahrzeughür befindet.



# Neigungsverstellung des AXKID ONE 3 Kindersitzes

Bevor Sie den Neigungswinkel für Ihr Kind im AXKID ONE 3 verstellen, stellen Sie sicher, dass die korrekten Inlays im Kindersitz genutzt werden. Der AXKID ONE 3 ist design, um mit Ihrem Kind mitzuwachsen und Ihrem Kind Sicherheit und Bequemlichkeit zu gewährleisten.

Axkid empfiehlt Ihnen, das relevante Inlay zu nutzen, bis es zu eng für Ihr Kind ist, aber mindestens bis zur minimalen Länge gemäß der untenstehenden Tabelle (bitte beachten Sie, dass das Alter nur einen Anhaltspunkt sein soll).

Alter	Größe	
Baby 0-6 Monate (ausschließlich AXKID ONE+3)	0 – 60 cm	
Kleinkind 0-3 Jahre	61 – 105 cm	
Kind 3-7 Jahre	106 – 125 cm	

7

Lockern Sie den Gurt indem Sie den Gurtlöseknopf (T) drücken und ziehen Sie beide Schultergurte (A) gleichzeitig heraus. Vermeiden Sie es, nur einen Schultergurt (A) herauszuziehen, weil die Schultergurte (A) sonst ungleichmäßig sein könnten.

8

Drücken Sie das Gurtschloss (B) öffnen es und legen Sie die Schultergurte (A) nach aussen über die Seitenwangen des Kindersitzes.

9

Setzen Sie Ihr Kind in den Kindersitz und platzieren die Schultergurte (A) über die Schultern Ihres Kindes. Schließen Sie das Gurtschloss (B), indem Sie zuerst indem die Teile des Gurtschlusses, die an den Schultergurten (A) befestigt sind, zusammenführen und in das Gurtschloss (B) zusammen einführen, bis Sie ein Klick hören.

10

Passen Sie die Kopfstütze (E) an, bis die Augenhöhe Markierungen (F) auf gleicher Höhe, wie die Augen Ihres Kindes sind, indem Sie die Kopfstützenverstellung (M) drücken und nach oben oder unten schieben. Bemerkung: die Augenhöhe Markierungen (F) sollen nicht beachtet werden, wenn der Babyeinsatz (nur beim AXKID ONE+3) genutzt wird. Wenn Sie ein AXKID ONE+3 für Babys mit dem Babyeinsatz nutzen, stellen Sie die Kopfstütze (E) immer in die niedrigste Position.

11

Überprüfen Sie, dass die Schultergurte (A) gerade auf Schulterhöhe Ihres Kindes oder maximal 1cm höher aus dem Sitz kommen. Sie müssen möglicherweise die Kopfstütze (E) noch einmal anpassen, auch wenn die Augenhöhe Markierungen (F) dann nicht mehr mit der tatsächlichen Augenhöhe Ihres Kindes übereinstimmen. Ziehen Sie nun die Schultergurte (A) fest, um die Gurte, die über der Hüfte Ihres Kindes verlaufen, festzuziehen. Halten Sie die Schultergurte (A) gespannt während Sie nun den Gurtstraffer (U) ziehen, bis die Gurte eng genug sind. Es sollte nicht mehr möglich sein, mehr als einen Finger zwischen die Schultergurte (A) und die Schultern Ihres Kindes zu bringen.



# Sitzverstellungen

Nachdem Sie den AXKID ONE 3 in Ihrem Fahrzeug installiert haben, können Sie die Beinfreiheit und die Neigungsverstellung für Ihr Kind sehr einfach verstellen. Sie können diese Einstellungen auch vornehmen, wenn Ihr Kind angeschnallt im Kindersitz sitzt.

Axkid empfiehlt für einen passenden Einbau und die beste Sicherheit für Ihr Kind, dass Sie sich an den am Kindersitz seitlich angebrachten Positionen orientieren. Es ist wichtig, dass Sie den Sitz an den Wachstumsprozess Ihres Kindes anpassen, indem Sie die Neigungspositionen immer aufrechter einstellen, da eine aufrechte Position den best möglichen Schutz für den Nacken Ihres Kindes im Falle eines Unfalls bietet. Die Größenangaben richten sich nach der Körpergröße Ihres Kindes. Vergewissern Sie sich, dass sich beide Pfeile in der korrekten Zone befinden.

Alter	Größe	
Baby 0-6 Monate (nur beim AXKID ONE+3)	Maximale Neigung Geringste Beinfreiheit	<p><b>0-60 cm</b></p>
Kleinkind 0-3 Jahre	Alle Neigungspositionen Mehrere Beinfreiheitspositionen	<p><b>61-105 cm</b></p>
Kind 3-7 Jahre	Maximal aufrechte Position Größt mögliche Beinfreiheit	<p><b>106-125 cm</b></p>

# Sitzanpassungen

- Drücken Sie den Beinfreiheitsverstellungsknopf (N) und schieben Sie den Sitz vorwärts oder rückwärts. Halten Sie den AXKID ONE 3 am rückseitigen Griff (O) fest, um zu vermeiden, dass der Kindersitz sich aus Versehen vorwärts bewegt, bevor Sie den Beinfreiheitsverstellungsknopf (N) drücken.
- Die Neigungsposition des Kindersitzes kann über Drehen des Neigungsverstellknopfes (H) angepasst werden.



# Ausbau des AXKID ONE 3 aus Ihrem Fahrzeug

- Drücken Sie den Stützfußverstellknopf (I) und schieben den Stützfuß (R) in die kürzeste Position zusammen.
- Schieben Sie den Überrollbügel auslösen (C) zur Seite und bewegen den Überrollbügel (D) in Richtung des Kindersitzes, um die Spannung gegen den Fahrzeugsitz zu lösen.
- Lösen Sie die ISOFIX Konnektoren (Y), indem Sie die ISOFIX Knöpfe (X) drücken und sie rückwärts vom Autositz weg herausziehen.
- Halten Sie den Überrollbügel (D) weiter mit einer Hand und fassen mit der anderen Hand den rückseitigen Griff (O) und heben den AXKID ONE 3 aus Ihrem Fahrzeug heraus.
- Klappen Sie den Stützfuß (R) nach oben, indem Sie das Stützfußlöseband (Q) ziehen und dann den Stützfuß (R) hoch klappen.

## Pflege und Wartung

- Der Kindersitzbezug kann bei 30 ° Grad im Schonwaschgang gewaschen werden. Geben Sie den Bezug nicht in den Trockner, da der Bezug beschädigt werden könnte und Polsterungen sich vom Bezug lösen könnten. Auf [www.axkid.com](http://www.axkid.com) finden Sie Anleitungsvideos, wie der Bezug auf- und abgezogen werden kann.
- Zur Abnahme des Textilbezugs vom Sitz die Seitenabdeckung (L) nach außen ziehen und die Öse im Stoff lösen. Die Knöpfe an der Rückenlehne öffnen und den Bezug vorsichtig vom Sitz abnehmen. Öffnen Sie die Reißverschlüsse auf der Rückseite des Kindersitzes und nehmen den Bezug vorsichtig vom Kindersitz ab. Versuchen Sie sich zu merken, wie der Bezug am Kindersitz befestigt ist, sodass das Aufziehen einfacher wird. Beim Wiederaufziehen des seitlichen Bezuges (L) führen Sie es unter dem Aluminiumrahmen durch und drücken ihn zurück in Befestigung. Zur Abnahme des Kopfstützenbezugs die Reißverschlüsse und die Knöpfe an der Unterseite der Kopfstütze sowie des auf der Rückseite gepolsterten Bezugs öffnen und den Bezug vorsichtig abnehmen.
- Sollte es notwendig sein, dass Sie den Bezug ersetzen müssen, vergewissern Sie sich bitte, dass Sie einen Originalbezug von Axkid erwerben. Sollten Sie einen anderen Bezug nutzen, ist die Sicherheit des Axkid Ones möglicherweise beeinträchtigt und dies könnte zu einer schweren Verletzung im Falle eines Unfalls führen.
- Alle Plastikteile des AXKID ONE 3 Kindersitzes können mit einem milden Reinigungsmittel und Wasser gereinigt werden. Nutzen Sie keine aggressiven chemischen Reiniger, die das Plastik des Sitzes schädigen könnten und so die Sicherheit des Kindersitzes beeinträchtigen können.
- Alle Materialien des Axkid Ones sind recyclebar und sollte nach den local geltenden Richtlinien recycled werden. Fragen Sie bei Ihrem lokalen Recyclingcenter nach, wenn Sie den Sitz recyceln wollen.
- Der Tonindikator (S) beinhaltet eine ersetzbare CR1632 Batterie. Bitte entfernen und recyceln Sie die Batterie gemäß der local geltenden Richtlinien, wenn Sie den AXKID ONE 3 nicht mehr nutzen möchten. Schrauben Sie dazu die beiden Schrauben unten am Stützfuß (R) heraus und entfernen Sie den Deckel, um an die Batterien heranzukommen.
- Führen Sie keine Veränderungen oder Anpassungen am AXKID ONE 3, die nicht in dieser Bedienungsanleitung beschrieben sind.
- Jegliche Reparaturen müssen vom Hersteller oder einem vom Hersteller autorisierten Händler durchgeführt werden.

# Garantie

Für den AXKID ONE 3 wird eine 24-monatige Herstellergarantie ab Kaufdatum gewährt. Vergewissern Sie sich, dass Sie den Kaufbeleg aufheben und bringen Sie den Beleg zu Ihrem Händler mit, wenn Sie Garantieansprüche geltend machen wollen.

Die Garantie beinhaltet nicht:

- Normale Abnutzung
- Schäden aufgrund von Fehlnutzung, Nachlässigkeit oder Unfällen.
- Reparaturen, die von nicht autorisierten Personen durchgeführt wurden.
- Alle Materialien haben eine sehr hohe UV-Beständigkeit. Trotzdem ist UV-Licht sehr aggressive und führt letztlich zu einem Ausbleichen des Sitzbezuges. Diese Ausbleichen ist von unserer Herstellergarantie ausgeschlossen, da es eine normale Abnutzung ist.
- Nutzen Sie den Sitz vorsichtig. Beachten Sie, dass der Mesh-Stoff auf der Rückseite des Kindersitzes sich schnell aufkratzt und Schäden daran, die nicht seitens der Herstellung verursacht sind, von unserer Herstellergarantie ausgeschlossen sind.

## Recycling Ihres Autositzes



Axkid empfiehlt dringend, alte Autositze zu recyceln. Bevor Sie den Sitz bei Ihrer örtlichen Recyclingstation abgeben, schneiden Sie die Gurtbänder vom Sitz ab, entfernen Sie den Textilbezug, entfernen Sie so viele Styroporsteile wie möglich, trennen Sie Metall- und Kunststoffteile wenn möglich. Der Hauptteil des Sitzes sollte als unsicher oder abgelaufen gekennzeichnet sein (benutzen Sie eine Markierung), um niemanden davon abzuhalten, ihn erneut zu benutzen. Bitte überprüfen Sie Ihre lokalen kommunalen Richtlinien für Recyclinganweisungen für die verschiedenen Materialien.

# Gracias por elegir la silla de seguridad infantil AXKID ONE 3

Lea atentamente este manual de instrucciones antes de instalar la silla AXKID ONE 3 en su vehículo. Para más información y videos sobre su instalación, visite nuestra web [www.axkid.com](http://www.axkid.com)

**AXKID ONE 3** es una silla de seguridad a contramarcha recomendada para niños de entre 61 y 125 cm de altura o con un peso máximo de 23 kg.

**AXKID ONE+ 3** es una silla de seguridad a contramarcha recomendada para niños de entre 40 y 125 cm de altura o con un peso máximo de 23 kg.

AXKID ONE 3 es una silla de seguridad con homologación i-Size. Está testada y certificada según la norma europea UN No. 129 de sistemas de retención infantil, para su instalación en asientos de vehículos compatibles con la norma i-Size según indique el manual del fabricante del vehículo. Si tiene cualquier duda, consulte con el fabricante ([www.axkid.com](http://www.axkid.com)) o con su tienda.

## Información importante

Para maximizar la seguridad de su hijo, es importante que recuerde lo siguiente:

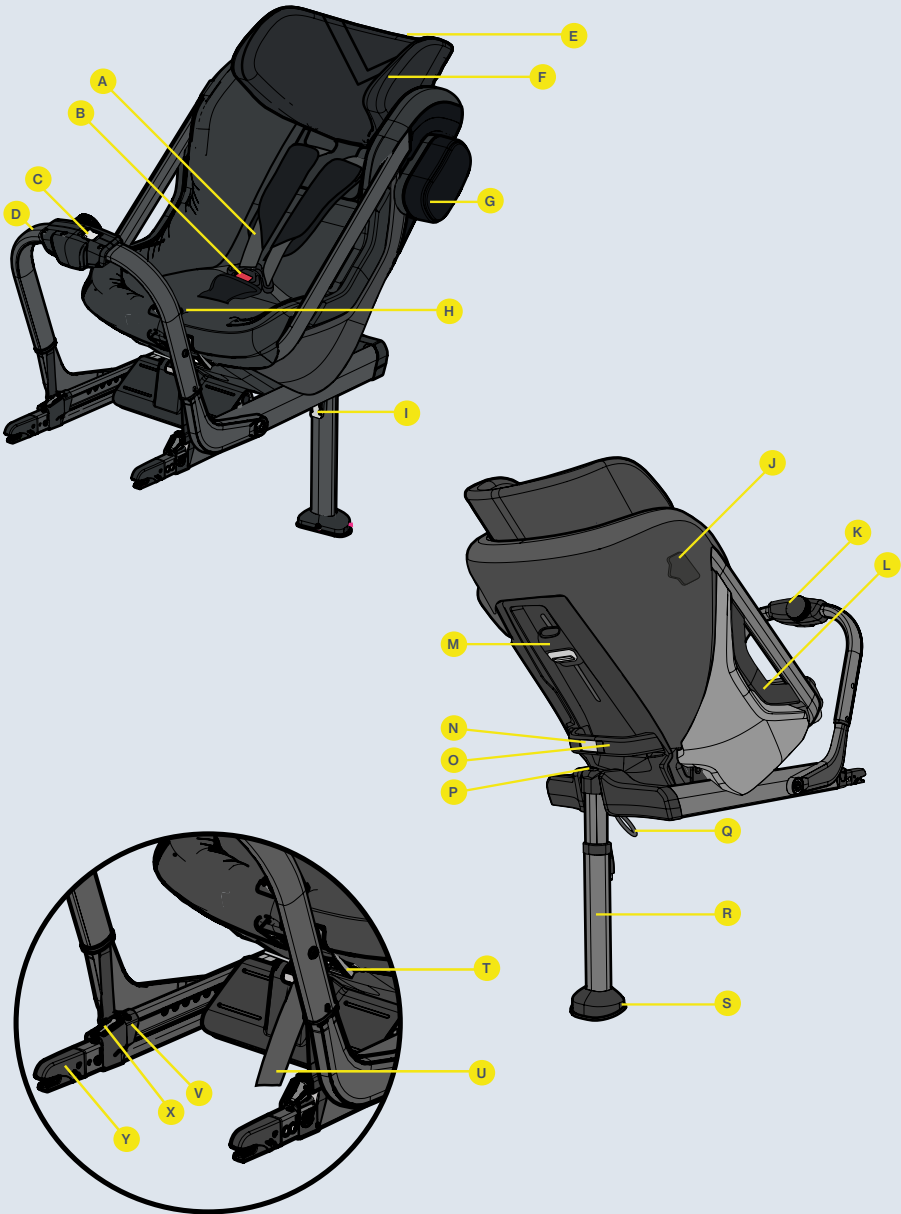
- Siga siempre las instrucciones de este manual. Una instalación incorrecta puede poner en peligro la seguridad de su hijo. Si tiene cualquier duda, contacte con su tienda, donde le asesorarán para una correcta instalación.
- Para obtener la última versión del manual de usuario, visite [www.axkid.com/manuals](http://www.axkid.com/manuals).
- Nunca instale la silla AXKID ONE 3 en el asiento de un vehículo que tenga instalado un airbag frontal. Si quiere instalar la silla AXKID ONE 3 de todas formas, el airbag debe ser desconectado siguiendo las instrucciones del fabricante del vehículo.
- En caso de accidente de tráfico, por pequeño que sea, sustituya siempre la silla de seguridad por una nueva. La silla podría tener algún daño invisible que no se detecte a simple vista y poner seriamente en peligro la seguridad de su hijo. Por esta razón Axkid no recomienda adquirir sillas de seguridad de segunda mano.
- Si la silla AXKID ONE 3 ha estado expuesta a luz directa del sol, asegúrese de que la silla no está demasiado caliente al sentar al niño.
- Nunca deje al niño solo desatendido en el vehículo.
- Asegúrese de que cualquier equipaje o carga que lleve en el vehículo queden firmemente sujetos. Así evitará lesiones al niño y a los demás pasajeros en caso de colisión.
- Asegúrese de instalar la silla AXKID ONE 3 de forma que ninguna parte de la silla quede aprisionada por asientos móviles, puertas del vehículo, etc.
- La silla AXKID ONE 3 solo puede ser instalada a contramarcha, es decir, mirando hacia atrás.
- Asegúrese siempre de que el arnés se ajusta correctamente al cuerpo del niño. El arnés se ajusta moviendo el reposacabezas.
- Compruebe que la espalda del niño esté totalmente apoyada en la silla al instalar el arnés del niño.
- Asegúrese siempre de que el arnés esté firmemente tenso ajustado al niño y de que el broche del arnés esté correctamente abrochado, de forma que no quede suelto ningún tramo del cinturón del arnés.
- Compruebe que el cinturón del arnés esté liso, que no esté torcido en ningún punto.
- Compruebe siempre que la pata de apoyo está en posición correcta y en contacto con el suelo del vehículo. Compruebe que el indicador en la parte superior de la pata de apoyo está en color verde, y que no suena ningún pitido desde la base de la pata de apoyo.
- No intente desmontar ni modificar ninguna parte de la silla AXKID ONE 3. Hacerlo puede afectar a la garantía y a la seguridad efectiva del producto.
- Nunca use la silla AXKID ONE 3 sin la funda textil. La funda textil es un componente del sistema de seguridad y solo puede ser reemplazada por otra funda Axkid original.
- Lea el manual del vehículo para comprobar cuáles son los asientos del vehículo en los que se puede instalar la silla.
- Axkid recomienda siempre usar un protector de asiento para proteger el asiento del vehículo de rasguños y suciedad.
- Si tiene cualquier duda, contacte con la tienda donde compró la silla o contacte con nosotros en el email [info@axkid.com](mailto:info@axkid.com)



# Índice

Partes	34
Asientos de vehículo permitidos y no permitidos para la instalación de la silla AXKID ONE 3	36
Instalación de la silla AXKID ONE 3 en el vehículo	37
Proteger al niño con la silla AXKID ONE 3	38
Indicadores de ajuste de la silla AXKID ONE 3	39
Ajustes de la silla AXKID ONE 3	39
Desinstalación de la silla AXKID ONE 3 del vehículo	40
Cuidado y mantenimiento	40
Garantía	41

# Partes



Tirantes del arnés (A)	Botón de ajuste del reposacabezas (M)
Botón para desabrochar el arnés (B)	Botón de ajuste del espacio para las piernas (N)
Botón de desbloqueo de la barra frontal (C)	Barra trasera (O)
Barra frontal (D)	Indicador de posición de la pata de apoyo (P)
Reposacabezas (E)	Correa de liberación de la pata de apoyo (Q)
Indicador de altura de los ojos del niño (F)	Pata de apoyo (R)
Almohadilla ASIP (G)	Indicador sonoro (S)
Botón de posición de inclinación (H)	Botón de desbloqueo del arnés (T)
Botón de la pata de apoyo (I)	Correa para tensar el arnés (U)
Conector ASIP (J)	Indicador de sujeción ISOFIX (V)
Botón de fijación de la barra frontal (K)	Botón ISOFIX (X)
Funda lateral (L)	Conector ISOFIX (Y)

# Asientos de vehículo permitidos y no permitidos para la instalación de la silla AXKID ONE 3

La silla AXKID ONE 3 solo puede instalarse mirando a contramarcha con ISOFIX. Está homologada para ser instalada en cualquier asiento de vehículo adaptado a la norma i-Size, aunque también podría instalarse en otros asientos con ISOFIX no aptos según i-Size. Es importante que compruebe el manual de instrucciones del vehículo para ver en qué asientos puede instalar la silla AXKID ONE 3, puede comprobar la lista de vehículos en [www.axkid.com](http://www.axkid.com).

Asiento delantero o del copiloto con ISOFIX (airbag desconectado)	SÍ / NO*
Asiento delantero o del copiloto con ISOFIX (airbag conectado)	NO
Asiento trasero con ISOFIX	SÍ
Asiento mirando de lado y mirando hacia atrás	NO
Asiento sin ISOFIX	NO



**IMPORTANTE:** Si quiere instalar la silla AXKID ONE 3 en un asiento que tenga airbag frontal, el airbag debe ser desconectado siguiendo las instrucciones del manual del vehículo. Tenga en cuenta que algunos vehículos requieren de un servicio técnico autorizado para desconectar el airbag.

\* El Reglamento General de Circulación en España, en su artículo 117, establece la prohibición de circular con menores de estatura igual o inferior a 135 centímetros situados en los asientos delanteros del vehículo, salvo excepciones.



Nunca instale una silla de seguridad en el asiento de un vehículo con el airbag activado.





# Instalación de la silla AXKID ONE 3 en el vehículo

ES

1

Antes de instalar la silla AXKID ONE 3 en el vehículo, minimice su tamaño liberando el botón de ajuste de espacio para las piernas (N) y deslizando la silla hacia la barra frontal (D). Despliegue la pata de apoyo (R) hasta que oiga un clic y el indicador de posición de la pata de apoyo (P) se ponga de color verde.

2

Libere el botón de desbloqueo de la barra frontal (C) y pliegue la barra frontal (D) hacia la silla. Sujete la barra frontal (D) con una mano y agarre la barra trasera (O) con la otra mano, introduzca la silla en el vehículo empezando por la barra frontal (D) y luego coloque la silla en el asiento del vehículo en posición a contramarcha.

3

Inserte los conectores ISOFIX (Y) en los puntos de conexión ISOFIX del vehículo hasta que oiga un clic y ambos indicadores de sujeción ISOFIX (V) se pongan de color verde.

4

Suelte la barra frontal (D), que empezará a tensarse sola contra el asiento del vehículo. Cuando esto acabe, gire el botón de fijación de la barra frontal (K) en el sentido del reloj hasta sentir y oír un clic, en ese momento la barra frontal estará firmemente tensa contra el asiento del vehículo. El botón de fijación de la barra frontal (K) tiene un limitador de par y el clic indica que la barra frontal (D) está tensada correctamente y no puede tensarse más.

5

Pulse el botón de la pata de apoyo (I) y tire de la pata de apoyo (R) hacia abajo hasta que toque el suelo del vehículo. Suelte el botón de la pata de apoyo (I) y eleve la silla hacia arriba para extender un poco más la pata de apoyo (R) hasta oír un clic. La pata de apoyo (R) estará ahora fijada y presionando firmemente contra el suelo, lo que indica que la instalación es correcta.

6

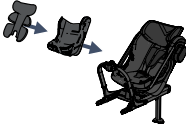
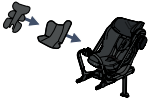

Empuje la almohadilla ASIP (G) en la ranura del conector ASIP (J) y deslícela hacia abajo, para que la almohadilla ASIP (G) se coloque en su sitio. Si hubiera una tapadera de plástico en el conector ASIP (J), quítela de ese lado y póngasela al conector ASIP (J) del otro lado antes de colocar la almohadilla ASIP (G). Asegúrese de que coloca la almohadilla ASIP (G) en el lado de la silla más cercano a la puerta del vehículo.



# Proteger al niño con la silla AXKID ONE 3

Antes de llevar al niño en la silla AXKID ONE 3, asegúrese de que tiene los adaptadores apropiados instalados en la silla. AXKID ONE 3 está diseñada para crecer con el niño de forma segura y cómoda.

Axkid recomienda usar los adaptadores correspondientes en cada momento hasta que el espacio sea demasiado estrecho para el niño, siempre teniendo en cuenta la altura mínima según la siguiente tabla (tener en cuenta que la edad es solo indicativa):

Edad	Altura	
Bebé 0-6 meses (AXKID ONE+ 3, que incluye adaptador para bebé)	0 – 60 cm	
Niño pequeño 0-3 años	61 – 105 cm	
Niño mayor 3-7 años	105 – 125 cm	

**7** Afloje el arnés presionando el botón para soltar el arnés (T) y tire de ambos tirantes del arnés (A) a la vez. Evite tirar de un solo tirante a la vez ya que ello puede hacer que los tirantes del arnés (A) estén disparejos.

**8** Abra el broche presionando el botón para desabrochar el arnés (B) y sitúe los tirantes fuera de la silla.

**9** Siente al niño en la silla y coloque los tirantes del arnés (A) por encima de sus hombros. Para abrochar el arnés, primero junte las piezas al final de los tirantes del arnés (A) e introdúzcalas en el broche hasta oír un clic.

**10** Ajuste el reposacabezas (E) hasta que los indicadores de ángulo de visión (F) estén en línea con los ojos del niño, y para ello empuje ambos botones de ajuste del reposacabezas (M) y deslícelo hacia abajo o hacia arriba según sea conveniente. Nota: los indicadores de ángulo de visión (F) no se usarán mientras sea necesario usar el adaptador para bebés (modelo AXKID ONE+ 3). Cuando use AXKID ONE+ 3 con adaptador, asegúrese siempre de que el reposacabezas está en la posición más baja.

**11** Compruebe que los tirantes del arnés (A) salen de la silla hacia delante desde los hombros del niño o como máximo 1 cm por encima. Es posible que tenga que ajustar el reposacabezas (E) de nuevo, incluso si ello conlleva que los indicadores de ángulo de visión no estén en línea con los ojos del niño. A continuación, tire de los tirantes del arnés (A) para tensar el arnés sobre las caderas del niño. Mientras mantiene la tensión de los tirantes del arnés (A), tire de la correa para tensar el arnés (U) hasta que el arnés esté lo suficientemente tenso, siendo un indicador de esto el no poder meter más de un dedo entre los tirantes del arnés (A) y los hombros del niño.



# Indicadores de ajuste de la silla AXKID ONE 3

ES

Después de instalar la silla AXKID ONE 3 en el vehículo, puede ajustar fácilmente el espacio para las piernas y la posición de reclinado más convenientes para el niño. Ambas cosas también pueden hacerse mientras el niño está sentado cómodamente en la silla.

Para asegurar una instalación adecuada en cualquier vehículo y dar la máxima protección y seguridad al niño, Axkid recomienda guiarse por las marcas señaladas en los laterales de la silla. Conforme el niño va creciendo es importante ir ajustando la inclinación de la silla a una posición más recta, para ofrecer así la mayor protección posible al cuello del niño en caso de colisión.

Las marcas indicativas se basan en la altura del niño. Asegúrese de que ambas flechas señalan los datos correctos.

Edad	Ajuste	
Bebé 0-6 meses (AXKID ONE+ 3 adaptador)	Reclinación máxima Espacio para piernas mínimo	
Niño pequeño 0-3 años	Todas las posiciones de reclinación Varias posiciones de espacio para piernas	
Niño mayor 3-7 años	Reclinación vertical máxima Espacio para piernas máximo	

## Ajustes de la silla AXKID ONE 3

- El espacio para las piernas se regula liberando el botón de ajuste del espacio para las piernas (N) y deslizando la silla hacia delante o hacia atrás. Para evitar que la silla se mueva hacia delante accidentalmente, tirar de la barra trasera (O) hacia atrás suavemente antes de liberar el botón de ajuste del espacio para las piernas (N).
- La postura de reclinación de la silla AXKID ONE 3 se regula moviendo el botón de posición de reclinación (H).



# Desinstalación de la silla AXKID ONE 3 del vehículo

- Pulse el botón de la pata de apoyo (I) y deje anclada la pata de apoyo (R) en la posición más corta
- Deslice el botón de desbloqueo de la barra frontal (C) y doble la barra frontal (D) hacia la silla AXKID ONE 3 para eliminar la tensión contra el asiento del vehículo.
- Desconecte los conectores ISOFIX (Y) presionando los botones ISOFIX (X) y desplazándolos hacia atrás lejos de la silla.
- Sujete la barra frontal (D) con una mano y agarre la barra trasera (O) con la otra mano, y saque la silla del vehículo.
- Pliegue la pata de apoyo (R) tirando de la correa de liberación de la pata de apoyo (Q) y doblando la pata de apoyo (R) hacia arriba.

## Cuidado y mantenimiento

- La funda textil puede lavarse a máquina a 30° C usando el programa de lavado para prendas delicadas. No secar la funda en la secadora, ya que esto puede dañar el tejido y hacer que el relleno se separe de la tela. En nuestra web [www.axkid.com](http://www.axkid.com) puede ver videos explicando cómo quitar y poner la funda.
- Para retirar la funda textil del asiento, tire hacia fuera de la funda lateral (L) y desenganche el ojal del tejido. Abra los botones del respaldo y retire con cuidado la funda del asiento. Abra las cremalleras en la parte trasera y con cuidado quite la funda de la silla. Fijese en cómo está puesta, para que sea más fácil volver a ponerla después. Cuando vuelva a poner la funda lateral (L), insértela por debajo del marco de aluminio y empújela hacia abajo hasta colocarla en su sitio. Para retirar la funda del reposacabezas, abra las cremalleras y los botones de la parte inferior del reposacabezas y la funda acolchada trasera y retire con cuidado la funda.
- Si tiene que sustituir la funda, asegúrese de adquirir solo productos originales de Axkid. Si usa productos de otros fabricantes, el sistema de seguridad de la silla puede verse afectado, lo que puede ocasionar lesiones graves al niño en caso de colisión.
- Los componentes de plástico de la silla AXKID ONE 3 pueden ser limpiados con agua y detergente suave. No use para su limpieza productos químicos agresivos que contengan disolventes o productos similares, porque estos puede dañar el plástico y comprometer la seguridad de la silla.
- Todos los materiales usados en la fabricación de la silla AXKID ONE 3 son reciclables y deben ser reciclados y eliminados según su legislación local. Pregunte a su centro de reciclaje más cercano sobre el reciclaje de este producto.
- El indicador sonoro (S) contiene una pila reemplazable CR1632. Por favor, quite y recicle la pila según la normativa vigente en su país cuando deje de usar la silla. Desatornille los dos tornillos en la parte inferior de la pata de apoyo (R) y quite la funda para poder acceder a la pila.
- No haga ninguna reparación ni cambio a la silla AXKID ONE 3, excepto los descritos en este manual de instrucciones.
- Cualquier reparación debe ser realizada por el fabricante o por la tienda.



# Garantía

La silla de seguridad infantil AXKID ONE 3 está cubierta por una garantía de 24 meses desde la fecha de compra. Asegúrese de guardar el ticket de compra en caso de reclamación de la garantía.

La garantía no cubre:

- El desgaste normal del producto.
- Daños producidos por un uso incorrecto del producto, negligencia o accidente.
- Reparaciones hechas por terceras personas.
- Todos los materiales usados en la fabricación tienen muy alta resistencia a la luz ultravioleta UV. Sin embargo, la radiación ultravioleta del sol es muy agresiva y a la larga puede afectar al color de la funda de la silla. Esto no está cubierto por la garantía, ya que se considera un desgaste normal del producto.
- Manejar con cuidado. Tener en cuenta que el tejido de red en la parte posterior de la silla puede sufrir rasguños y acabar dañado con facilidad. La garantía solo cubre daños en el tejido que tengan origen en su fabricación.

## Reciclaje de su asiento para el automóvil



Axkid recomienda encarecidamente reciclar los asientos de seguridad viejos. Antes de dejar el asiento en la estación de reciclaje local, corte las correas del arnés del asiento, retire la cubierta textil, retire la mayor cantidad posible de piezas de poliestireno y, si es posible, separe las piezas de metal y de plástico. La parte principal del asiento debe estar marcada como insegura o vencida (use un marcador) para disuadir a cualquier persona de volver a usarla. Consulte las directrices municipales locales para conocer las instrucciones de reciclaje de los diferentes materiales.

# Grazie per aver scelto AXKID ONE 3

Leggere le istruzioni per l'uso prima di installare l'AXKID ONE 3 nell'auto. Per ulteriori informazioni e video didattici, visitare [www.axkid.com](http://www.axkid.com).

**AXKID ONE 3** è un seggiolino auto adatto a bambini di altezza compresa tra 61 e 125 cm e un peso massimo di 23 kg.

**AXKID ONE+ 3** è un seggiolino auto adatto a bambini di altezza compresa tra 40 e 125 cm e un peso massimo di 23 kg.

AXKID ONE 3 è un seggiolino auto per bambini conforme alla norma UN R129 (i-Size), destinato all'uso nei luoghi indicati come compatibili dalla casa automobilistica nel manuale del veicolo. In caso di dubbi, contattare il produttore ([www.axkid.com](http://www.axkid.com)) o il rivenditore.

## Informazioni importanti

Per mantenere il livello ottimale di sicurezza per il tuo bambino, assicurati di seguire le linee guida seguenti:

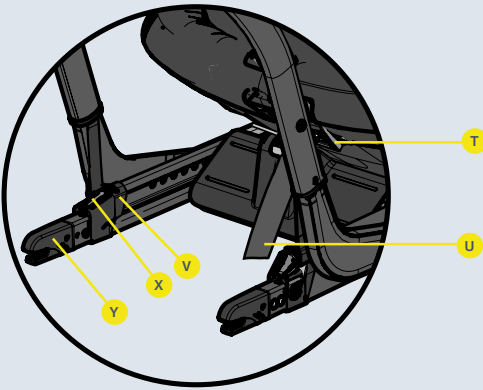
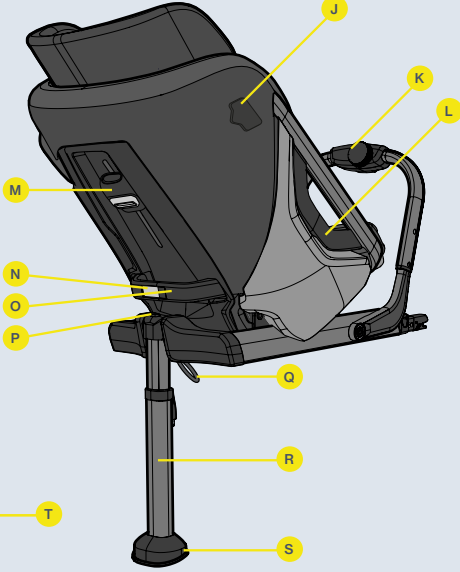
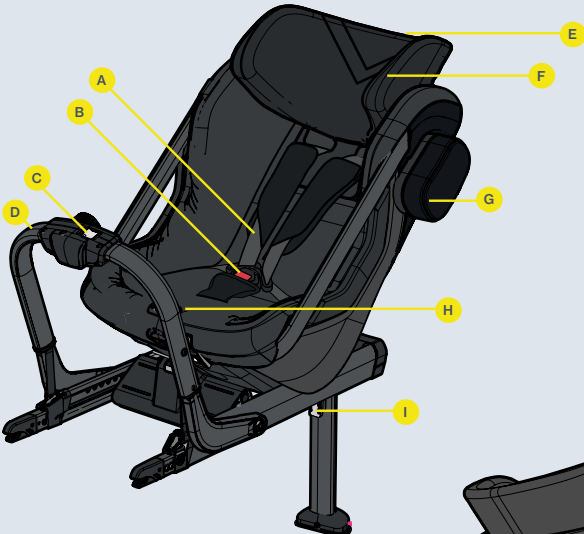
- Utilizzare sempre il seggiolino secondo le seguenti istruzioni. Un uso scorretto potrebbe mettere in pericolo la vita salute del tuo bambino. In caso di dubbi, contattare il rivenditore.
- Per l'ultima versione del manuale utente, visitare il sito [www.axkid.com/manuals](http://www.axkid.com/manuals).
- Non utilizzare l'AXKID ONE 3 su un sedile con un airbag passeggero attivo. Per una corretta installazione in un tale sedile è necessario disattivare l'airbag come descritto nel manuale del veicolo.
- In caso di incidente, anche se di minima entità, il seggiolino deve essere sostituito, in quanto può avere danni non visibili a occhio nudo e il suo uso continuato potrebbe influire negativamente sulla sicurezza del bambino. Per questo motivo, Axkid sconsiglia l'acquisto di seggiolini di seconda mano.
- Se il seggiolino è stato esposto alla luce solare, prima di mettere il bambino al suo interno assicurarsi che non sia troppo caldo.
- Non lasciare mai il bambino incustodito in macchina.
- Assicurarsi che tutti i bagagli e gli oggetti sfusi siano adeguatamente fissati, poiché in un possibile incidente potrebbero mettere in pericolo l'incolumità dei passeggeri.
- Assicurarsi che dopo aver installato il seggiolino, non sia incastrato tra i sedili, le porte dell'auto ecc.
- L'AXKID ONE 3 può essere montato solo rivolto all'indietro.
- Prima di ogni utilizzo assicurarsi che l'imbracatura del seggiolino è correttamente regolata all'altezza del bambino. L'imbracatura si regola spostando il poggiatesta su e giù.
- Prima di allacciare il bambino assicurarsi che la schiena del bambino sia ben aderente al seggiolino.
- Assicurarsi che l'imbracatura sia ben tesa quando il bambino è legato. Non dovrebbe essere possibile pizzicare l'imbracatura.
- Assicurati che l'imbracatura non sia attorcigliata.
- Assicurarsi che la gamba di supporto del sedile sia nella posizione corretta e appoggi contro il pavimento del veicolo.
- Controllare che l'indicatore sul piedino sia verde e che non si senta un bip per indicare che la gamba non è installata correttamente.
- Non tentare di smontare il sedile o apportare modifiche da soli. In caso contrario, la garanzia potrebbe essere invalidata e la sicurezza del bambino potrebbe essere compromessa.
- Non utilizzare mai il seggiolino senza il rivestimento in tessuto. Il rivestimento è la parte di sicurezza del seggiolino e può essere sostituito solo da un rivestimento originale Axkid.
- Leggere il manuale d'uso della auto per vedere su quali sedili puoi montare il seggiolino.
- Axkid consiglia l'uso di un coprisedile per proteggere il sedile dell'auto da danni e sporco.
- In caso di problemi, contattare il venditore o scrivere a [info@axkid.com](mailto:info@axkid.com).

# Indice

Elementi	44
Posizioni consentite e vietate in macchina	46
Montaggio del seggiolino AXKID ONE 3 in macchina	47
Sistemazione del bambino nel seggiolino	48
Adattamento del seggiolino al bambino	49
Regolazione del seggiolino	49
Rimozione del seggiolino dall'auto	50
Cura e manutenzione	50
Garanzia	51

IT

# Elementi



Imbracatura (A)	Pulsanti di regolazione del poggiatesta (M)
Pulsante di rilascio dell'imbracatura (B)	Pulsante di regolazione dello spazio per le gambe (N)
Pulsante di rilascio del telaio antirotazione (C)	Maniglia posteriore (O)
Telaio antirotazione(D)	Indicatore posizione del piede di supporto (P)
Poggiatesta (E)	Cinghia di rilascio del blocco della gamba(Q)
Indicatore del livello dell'occhio(F)	Gamba di sostegno (R)
Protezione ASIP (G)	Indicatore sonoro (S)
Manopola di regolazione dell'inclinazione(H)	Pulsante di regolazione dell'imbracatura (T)
Pulsante di regolazione della gamba di sostegno (I)	Cinghia di tensionamento dell'imbracatura (U)
Connettore ASIP (J)	Indicatore di fissaggio ISOFIX (V)
Manopola di regolazione del telaio antirotazione (K)	Pulsanti ISOFIX (X)
Protezione laterale della tappezzeria (L)	Connettori ISOFIX (Y)

# Posizioni consentite e vietate in macchina

AXKID ONE 3 può essere installato solo utilizzando i connettori ISOFIX, rivolto all'indietro. La sua installazione è consentita in tutti i punti dell'auto contrassegnati con i-Size, può anche essere installato su sedili che sono dotati di sistemi ISOFIX ma non portano il simbolo i-Size. Per trovare il posto giusto per l'installazione, leggere il manuale dell'auto e l'elenco dei veicoli approvati su [www.axkid.com](http://www.axkid.com).

Sedile passeggero anteriore dotato di ISOFIX (senza airbag attivo)	SI / NO*
Sedile del passeggero anteriore dotato di Isofix (airbag attivo)	NO
Sedile passeggero posteriore con ISOFIX	SI
Sedili non dotati di ISOFIX	NO
Sedile posizionato lateralmente o all'indietro con ISOFIX	NO



**IMPORTANTE:** Se si desidera installare AXKID ONE 3 su un sedile con airbag passeggero, l'airbag deve essere inattivo. Alcuni veicoli richiedono una visita in un'officina autorizzata per disattivare l'airbag del passeggero.

\* L'articolo 117 del Codice della Strada spagnolo proibisce il trasporto di bambini di altezza inferiore a 135 cm sul sedile anteriore, senza eccezioni



Non installare mai il seggiolino su un sedile del passeggero con un airbag attivo.





# Installazione AXKID ONE 3 a bordo dell'auto

1

Prima di installare il sedile minimizzarne l'ingombro premendo il pulsante di regolazione vano piedi (N) e avvicinando il sedile al telaio antirotazione (D). Allargare la gamba di supporto (R) finché non si sente uno scatto e l'indicatore di posizione della gamba di supporto (P) diventa verde.

2

Premere il pulsante di regolazione del telaio antirotazione (C) e piegare il telaio (D) verso la seduta del seggiolino. Tenendo il telaio antirotazione (D) con una mano e la maniglia posteriore (O) con altra mano, sollevare il seggiolino, inserirlo in vettura con il telaio (C) in avanti e portarlo nella posizione rivolta all'indietro.

3

Premere i connettori ISOFIX (Y) contro i supporti metallici ISOFIX finché non si sente un clic e si nota un colore verde su entrambi gli indicatori di attacco ISOFIX (V).

4

Liberare il telaio antirotazione (D), che inizierà automaticamente a premere contro lo schienale del sedile dell'auto. Ruotare la manopola di regolazione del telaio (K) in senso orario fino a sentire uno scatto, il telaio antirotazione (D) dovrebbe ora essere premuto saldamente contro lo schienale del sedile. La manopola di regolazione del telaio (K) ha un limitatore di rotazione incorporato, un clic del meccanismo indica il massimo serraggio possibile del telaio antirotazione (D) contro lo schienale del sedile.

5

Premere il pulsante di regolazione della gamba di supporto (I) e tirare la gamba di supporto (R) verso il basso fino a toccare il pavimento dell'auto. Rilasciare il pulsante di regolazione della gamba (I) e sollevare leggermente il seggiolino per consentire l'ulteriore estensione della gamba di supporto (R) fino allo scatto in posizione. La gamba di supporto (R) dovrebbe ora essere saldamente e stabilmente appoggiata al pavimento dell'auto.

Nota: Il seggiolino AXKID ONE 3 è dotato di un indicatore acustico (S) che suonerà finché la gamba di sostegno (R) non sarà correttamente appoggiata sul pavimento.

6

Inserire la protezione ASIP (G) nelle guide del connettore ASIP (J) e sposterla verso il basso fino a sentire un clic. Se il connettore ASIP (J) ha un cappuccio di plastica, rimuoverlo e posizionarlo sul connettore ASIP (J) dall'altro lato del seggiolino. Assicurarsi che la copertura ASIP (G) sia fissata sul lato del seggiolino più vicino alla porta del veicolo.

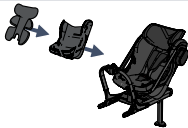


IT



# Sistemazione del bambino nel seggiolino

Prima di sistemare il bambino nel seggiolino assicurarsi di usare gli inserti corretti. L'AXKID ONE 3 è progettato per crescere con il tuo bambino e garantire una vestibilità sicura e confortevole per tutti i bambini.

Si consiglia di utilizzare inserti adeguati fino a quando non saranno troppo stretti, l'altezza minima da cui è possibile rimuovere l'inserto è indicata nella tabella seguente (notare che l'età è solo indicativa):

Età	Altezza	
Neonato 0-6 mesi (solo AXKID ONE+3)	0 – 60 cm	
Bambino piccolo 0-3 anni	61 – 105 cm	
Bambino più grande 3-7 anni	105 – 125 cm	

7

Premere il pulsante di regolazione (T) dell'imbracatura e tirare entrambe le cinture contemporaneamente (A). Evitare di tirare le cinture (A) singolarmente, perché potrebbero avere lunghezza diversa.

8

Slacciare la fibbia premendo il pulsante (B), spostare le cinture ai lati del seggiolino.

9

Sistemare il bambino nel seggiolino auto e posizionare le cinture (A) sulle sue spalle. Collegare entrambe le parti della fibbia dell'imbracatura e inserire la fibbia tra le gambe del bambino finché non si sente un clic.

10

Regolare il poggiatesta (E) fino a quando l'indicatore dell'altezza degli occhi del bambino (F) è in linea con gli occhi del bambino. È possibile regolare il poggiatesta premendo contemporaneamente entrambi i pulsanti di regolazione (M) e facendolo scorrere su e giù. Nota: non prestare attenzione all'indicatore del livello degli occhi del bambino (F) quando si usa l'inserto per neonati (applicabile solo per AXKID ONE+3). Quando si usa l'inserto per neonati nel seggiolino AXKID ONE+3, il poggiatesta deve essere sempre nella posizione più bassa.

11

Controllare che l'altezza dell'imbracatura (A) sia regolata correttamente. L'imbracatura deve uscire dal seggiolino all'altezza delle spalle del bambino o al massimo 1 cm sopra di esse. Questo può richiedere la regolazione del poggiatesta (E), anche se questo rende l'indicatore del livello degli occhi non esattamente in linea con la linea degli occhi del bambino. Tirare l'imbracatura sul petto (A) per stringere la cintura sui fianchi del bambino. Tirare la cinghia di tensione dell'imbracatura fino a quando è così stretta che non si può inserire più di un dito tra l'imbracatura (A) e la spalla del bambino.





# Regolazione del seggiolino per il bambino

Dopo aver installato il seggiolino auto AXKID ONE 3, è possibile regolare lo spazio per le gambe del bambino e l'inclinazione del sedile. La regolazione è possibile mentre il bambino è seduto nel seggiolino.

Per garantire un buon adattamento ad ogni auto e garantire la massima sicurezza al bambino, ti consigliamo di seguire le raccomandazioni di posizionamento del seggiolino sul lato del seggiolino. Man mano che il bambino cresce, è importante utilizzare il seggiolino in una posizione più seduta per dare al bambino la migliore protezione in caso di incidente.

L'indicatore di posizione del seggiolino si basa sull'altezza del bambino. Assicurarsi che entrambe le frecce siano nella posizione corretta

IT

Età	Regolazione	
Neonato 0-6 mesi (solo AXKID ONE+3)	Inclinazione massima, spazio minimo per le gambe	<b>0-60 cm</b> 
Bambino piccolo 0-3 anni	Tutte le posizioni del sedile, una gamma di posizioni per lo spazio per le gambe	<b>61-105 cm</b> 
Bambino più grande 3-7 anni	Massima posizione di seduta, massimo spazio per le gambe	<b>106-125 cm</b> 

## Regolazione del seggiolino

- Lo spazio per le gambe si regola premendo il pulsante di regolazione dello spazio per le gambe (N) e facendo scorrere il sedile avanti e indietro. Per evitare che il seggiolino si muova in modo incontrollato durante la regolazione, afferrare la maniglia posteriore (O) e tirarla delicatamente prima di premere il pulsante (N).
- L'inclinazione del seggiolino può essere regolata tramite la manopola di inclinazione della seduta (H).



## Rimozione del seggiolino dall'auto

- Premere il pulsante di regolazione della gamba di supporto (I) e accorciare la gamba (R) al massimo.
- Spostare il pulsante di regolazione del telaio antirotazione (C) e piegare il telaio (D) verso il sedile del seggiolino per creare un gioco per la sua rimozione.
- Rimuovere i connettori ISOFIX (Y) premendo i pulsanti (X) e allontanare il seggiolino dallo schienale del sedile auto.
- Tenendo il telaio antirotazione (D) con una mano e la maniglia posteriore (O) con l'altra mano, sollevare il seggiolino e toglierlo dal veicolo.
- Piegare la gamba di supporto (R) tirando la cinghia (Q) e piegando la gamba (R) verso la base del seggiolino.

## Cura e manutenzione

- Il rivestimento del seggiolino può essere lavato in lavatrice a 30°C con un programma "delicato". Non asciugare il rivestimento in asciugatrice, in quanto potrebbe danneggiarsi. Visitare il sito [www.axkid.com](http://www.axkid.com) per vedere come rimuovere e rimettere il rivestimento del seggiolino.
- Per rimuovere il rivestimento tessile dal sedile, tirare verso l'esterno la copertura laterale (L) e sganciare l'occhiello del tessuto. Aprire i bottoni sullo schienale e rimuovere delicatamente il rivestimento dal sedile. Aprire la cerniera sul retro del seggiolino ed estrarre delicatamente la fodera. Prendere nota di come è fissato il rivestimento in modo da poterlo rimettere facilmente. Per rimontare la protezione laterale di rivestimento (L) posizionarla sul telaio di alluminio del seggiolino e farla scorrere verso l'ancoraggio. Per rimuovere il rivestimento del poggiatesta, aprire le cerniere e i bottoni sul fondo del poggiatesta e del rivestimento imbottito dello schienale e rimuovere delicatamente il rivestimento.
- Se il rivestimento deve essere sostituito, assicurarsi di usare solo prodotti originali Axkid. Altrimenti la sicurezza del vostro bambino può essere significativamente ridotta.
- Tutte le parti in plastica di AXKID ONE 3 possono essere pulite con detergente neutro e acqua. Non utilizzare sostanze chimiche aggressive contenenti solventi ecc. in quanto potrebbero danneggiare gli elementi del seggiolino.
- Tutti i materiali utilizzati nel seggiolino auto AXKID ONE 3 sono riciclabili e devono essere riciclati nel rispetto delle leggi locali del Vostro luogo di residenza. Per informazioni sul riciclaggio del prodotto, rivolgersi al centro di riciclaggio locale.
- Il segnale acustico (S) è dotato di una batteria CR1632 sostituibile. Le batterie usate devono essere riciclate in conformità con le leggi del vostro luogo di residenza. Rimuovere la batteria quando il seggiolino non è più utilizzato. La batteria può essere rimossa svitando le due viti poste sul fondo della gamba di supporto (R).
- Non modificare né alterare il seggiolino auto adottando procedure diverse da quelle descritte nelle presenti istruzioni per l'uso.
- Tutte le riparazioni devono essere effettuate in fabbrica o da un centro di assistenza autorizzato Axkid.

# Garanzia

Il seggiolino auto AXKID ONE 3 è coperto da una garanzia di 24 mesi a partire dalla data di acquisto. Conservare sempre la ricevuta e consegnarla al punto di acquisto in caso di problemi in garanzia..

La garanzia non copre:

- Normale usura dei materiali.
- Danni dovuti a uso improprio o negligenza.
- Riparazioni effettuate da terzi.
- Tutti i materiali utilizzati presentano un'altissima resistenza ai raggi UV. Tuttavia, i raggi UV sono estremamente aggressivi e comportano il graduale scolorimento del rivestimento del seggiolino. Tale scolorimento non è coperto da garanzia, in quanto è considerato normale usura.
- Maneggiare il seggiolino con cura. Il materiale di cui è realizzato lo schienale del sedile è delicato ed è soggetto a danni. Danni diversi da quelli causati in fabbrica non sono soggetti a riparazione in garanzia.

IT

## Riciclare la tua base



Axkid consiglia vivamente di riciclare i vecchi seggiolini per auto. Prima di lasciare la base presso la stazione di riciclaggio locale, se possibile, separare le parti in metallo e plastica. La parte principale della base dovrebbe essere contrassegnata come non sicura o scaduta (usare un pennarello) per dissuadere chiunque dall'utilizzarla di nuovo. Si prega di controllare le linee guida comunali locali per le istruzioni di riciclaggio per i diversi materiali.

# Merci d'avoir choisi AXKID ONE 3

Merci de lire attentivement ce manuel d'instructions avant d'installer le siège-auto AXKID ONE 3 dans votre véhicule. Vous trouverez plus d'informations et des vidéos d'installation sur notre site [www.axkid.com](http://www.axkid.com).

Le siège-auto **AXKID ONE 3** est un siège-auto dos à la route homologué pour les enfants mesurant de 61 à 125 cm et un poids maximal de 23 kg.  
Le siège-auto **AXKID ONE+ 3** est un siège-auto dos à la route homologué pour les enfants mesurant de 40 à 125 cm et un poids maximal de 23 kg.

Il s'agit d'un système i-Size de retenue amélioré pour enfant. Il est homologué conformément au Règlement n° 129 de l'UE, pour une utilisation sur les places assises des véhicules compatibles i-Size, comme indiqué par le constructeur dans le manuel utilisateur du véhicule. En cas de doute, consultez le fabricant du système de retenue pour enfants ([www.axkid.com](http://www.axkid.com)) ou votre revendeur.

## Informations importantes

Afin d'optimiser la sécurité de votre enfant, il est important de garder les éléments suivants à l'esprit :

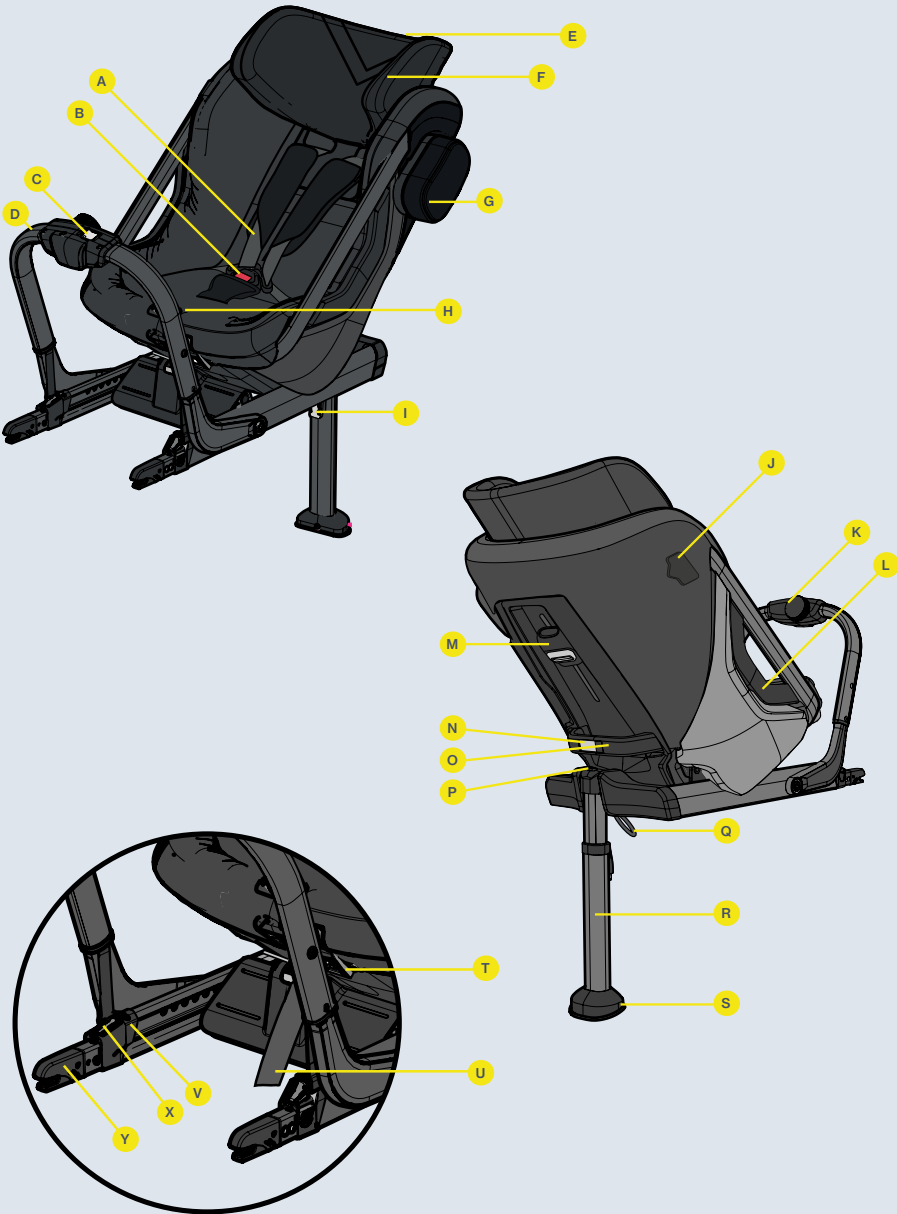
- Suivez toujours les instructions de ce manuel. Une installation incorrecte pourrait sérieusement affecter la sécurité de votre enfant. En cas de doute, contactez votre revendeur, il vous montrera comment faire une installation correcte.
- Pour obtenir la dernière version du manuel d'utilisation, rendez-vous sur [www.axkid.com/manuals](http://www.axkid.com/manuals).
- N'utilisez pas le siège-auto AXKID ONE 3 dans une position où un airbag frontal est actif. Si vous souhaitez tout de même installer le siège-auto AXKID ONE 3 à cet endroit, l'airbag doit être désactivé conformément aux instructions du constructeur automobile.
- En cas d'accident, quel que soit sa gravité, votre siège-auto doit toujours être remplacé. Il peut avoir subi des dommages invisibles à l'œil nu qui pourraient affecter sérieusement la sécurité de votre enfant. Pour cette raison, Axkid ne recommande pas l'achat de sièges-auto d'occasion.
- Si le siège-auto AXKID ONE 3 a été exposé au soleil direct, vérifiez qu'il n'est pas trop chaud avant d'y installer votre enfant.
- Ne laissez jamais votre enfant seul dans le véhicule.
- Assurez-vous que tous les bagages ou objets présents dans le véhicule soient sécurisés, car ils pourraient causer des blessures aux passagers en cas d'accident.
- Assurez-vous que le siège-auto AXKID ONE 3 soit installé de façon à ce qu'il ne se retrouve pas coincé par les portes du véhicule, des sièges amovibles, etc.
- AXKID ONE 3 doit être installé uniquement dos à la route.
- Assurez-vous toujours que le harnais est ajusté pour s'adapter correctement au corps de l'enfant. Le harnais s'ajuste avec l'appui-tête.
- Assurez-vous que le dos de l'enfant est bien en contact avec le dossier lorsque vous serrez le harnais.
- Assurez-vous toujours que le harnais est suffisamment serré contre votre enfant et que la boucle est bien verrouillée. Vous ne devez pas pouvoir pincer les sangles.
- Assurez-vous toujours que le harnais ne soit pas vrillé.
- Assurez-vous toujours que la jambe de force soit dans la bonne position et qu'elle soit bien en contact avec le plancher du véhicule. Vérifiez que l'indicateur situé sur le dessus de la jambe de force est vert et que vous n'entendez aucun bip provenant du pied de la jambe de force.
- N'essayez pas de démonter ni de modifier une partie du siège-auto AXKID ONE 3. La garantie et les performances de sécurité du siège-auto AXKID ONE 3 pourraient en être affectées.
- N'utilisez jamais le siège-auto AXKID ONE 3 sans sa housse en textile. La housse en textile du siège est un élément de sécurité et ne peut être remplacée que par une housse en textile d'origine Axkid.
- Reportez-vous au manuel du véhicule pour trouver les places appropriées pour ce siège-auto.
- Axkid recommande de toujours utiliser une protection de siège pour protéger le siège du véhicule des égratignures et de la saleté.
- En cas de doute, contactez le revendeur auprès duquel le siège-auto a été acheté ou contactez [info@axkid.com](mailto:info@axkid.com)

# Sommaire

Composants	54
Positionnement autorisé et interdit du siège-auto AXKID ONE 3	56
Installer le siège-auto AXKID ONE 3 dans le véhicule	57
Installer l'enfant dans le siège-auto AXKID ONE 3	58
Réglages du siège	59
Régler le siège-auto AXKID ONE 3 dans le véhicule	59
Retirer le siège-auto AXKID ONE 3 du véhicule	60
Entretien et maintenance	60
Garantie	61

FR

# Composants



Harnais de maintien (A)
Boucle de harnais (B)
Bouton de déverrouillage de la barre anti-rebond (C)
Barre anti-rebond (D)
Appui-tête (E)
Indicateur du niveau des yeux (F)
Coussin d'impact latéral ASIP (G)
Bouton de réglage d'inclinaison (H)
Bouton de réglage de la jambe de force (I)
Connecteur ASIP (J)
Bouton de réglage de la barre anti-rebond (K)
Cache latéral (L)

Bouton de réglage de l'appui-tête (M)
Bouton de réglage de la profondeur du siège (N)
Poignée arrière (O)
Indicateur de positionnement de la jambe de force (P)
Sangle de déverrouillage de la jambe de force (Q)
Jambe de force (R)
Indicateur sonore (S)
Bouton de déverrouillage du harnais (T)
Sangle de serrage du harnais (U)
Indicateur de verrouillage ISOFIX (V)
Boutons ISOFIX (X)
Connecteurs ISOFIX (Y)

# Positionnement autorisé et interdit du siège-auto AXKID ONE 3

Le siège-auto AXKID ONE 3 peut être installé uniquement dos à la route avec l'ISOFIX. Il est homologué pour une utilisation sur toutes les places assises homologuées i-Size du véhicule mais peut aussi être utilisé dans des véhicules non i-Size disposant de l'ISOFIX. Consultez le manuel de votre véhicule pour trouver les places adaptées et consultez la liste de compatibilité sur [www.axkid.com](http://www.axkid.com).

Siège passager avant avec ISOFIX (Airbag désactivé)	OUI/NON*
Siège passager avant avec ISOFIX (Airbag activé)	NON
Sièges arrière avec ISOFIX	OUI
Sièges arrière dos à la route avec ISOFIX	NON
Siège de véhicule sans ISOFIX	NON



**IMPORTANT:** Si vous souhaitez installer votre siège-auto AXKID ONE 3 sur une place où un airbag frontal est activé, vous devez impérativement le désactiver en suivant les instructions du constructeur. Notez que pour certains véhicules l'intervention d'un garage agréé par la marque pour désactiver l'airbag peut être nécessaire.

\* La réglementation de la circulation en Espagne, dans l'article 117, établit l'interdiction de conduire avec des enfants d'une taille égale ou inférieure à 135 centimètres à l'avant du véhicule, sans exception.



N'installez jamais un siège-auto sur un siège du véhicule où un airbag est activé.







# Installer le siège-auto AXKID ONE 3 dans le véhicule

1

Avant d'installer le siège-auto AXKID ONE 3 dans votre véhicule, diminuer sa taille en actionnant le bouton de réglage de profondeur (N) et faites glisser le siège vers la barre anti-rebond (D). Rabattez la jambe de force (R) jusqu'à ce qu'un clic se fasse entendre et que l'indicateur de position de la jambe de force (P) devienne vert.

2

Actionnez le bouton de déverrouillage de la barre anti-rebond (C) et ramenez-la (D) vers le siège. Gardez une main sur la barre anti-rebond (D), saisissez la poignée arrière (O) avec l'autre main, soulevez le siège-auto AXKID ONE 3 et faites-le entrer dans le véhicule en passant d'abord la barre anti-rebond (D) et en positionnant le siège dos à la route

3

Introduisez les connecteurs ISOFIX (Y) dans les points d'ancrage ISOFIX du véhicule jusqu'à ce que vous entendiez un clic et que les deux indicateurs de verrouillage ISOFIX (V) deviennent verts.

4

Relâchez la barre anti-rebond (D), elle va venir se positionner en appui contre le siège du véhicule. Lorsqu'elle s'arrête, tournez le bouton de réglage de la barre anti-rebond (K) dans le sens des aiguilles d'une montre jusqu'à ce que vous sentiez et entendiez un clic, la barre anti-rebond (D) devrait maintenant être fermement appuyée contre le siège du véhicule. Le bouton de réglage (K) dispose d'un limiteur de couple intégré et le clic indique que la barre anti-rebond (D) est suffisamment ajustée et ne peut plus être serrée.

5

Appuyez sur le bouton de la jambe de force (I) et déployez la jambe de force (R) vers le bas jusqu'à ce qu'elle soit en contact avec le plancher du véhicule. Relâchez le bouton de la jambe de force (I) et soulevez le siège-auto vers le haut pour étendre davantage la jambe de force (R) jusqu'à ce que vous entendiez un clic. La jambe de force (R) doit maintenant être verrouillée et fermement appuyée contre le plancher du véhicule. Remarque : le siège-auto AXKID ONE 3 est équipé d'un indicateur sonore (S) qui émettra un bip jusqu'à ce que la jambe de force (R) soit fermement appuyée contre le sol, vous assurant ainsi une installation correcte.

6

Poussez le coussin ASIP (G) dans les fentes du connecteur ASIP (J) et faites le glisser vers le bas, le coussin ASIP (G) s'enclenche. S'il y a un couvercle en plastique sur le connecteur ASIP (J), retirez-le et placez-le sur l'autre connecteur ASIP (J) présent sur le côté opposé du siège, avant d'installer le coussin ASIP (G). Assurez-vous que le coussin ASIP (G) est fixé sur le côté du siège-auto AXKID ONE 3 qui est le plus proche de la portière du véhicule

FR



# Installer votre enfant dans le siège-auto AXKID ONE 3

Avant d'installer votre enfant dans le siège-auto AXKID ONE 3, assurez-vous que les inserts (coussins) appropriés sont installés dans le siège. AXKID ONE 3 est conçu pour grandir avec votre enfant et pour assurer un ajustement confortable et sûr pour tous les enfants.

Axxkid recommande d'utiliser l'insert approprié jusqu'à ce que celui-ci soit trop petit pour votre enfant, mais en respectant tout de même les tailles minimales indiquées dans le tableau ci-dessous (notez que l'âge n'est donné qu'à titre indicatif):

Age	Taille	
Nouveau né 0-6 mois (Seulement AXKID ONE+ 3)	0 – 60 cm	
Bambins 0-3 ans	61 – 105 cm	
Enfant 3-7 ans	105 – 125 cm	

7

Desserrez le harnais en appuyant sur le bouton de déverrouillage du harnais (T) et tirez les deux sangles (A) en même temps. Évitez de tirer une seule sangle à la fois car cela pourrait rendre le harnais (A) irrégulier.

8

Déverrouillez la boucle en appuyant sur le bouton rouge (B) et placez les sangles à l'extérieur du siège.

9

Placez votre enfant dans le siège et passez les sangles du harnais (A) sur les épaules de votre enfant. Verrouillez le harnais en positionnant d'abord l'une sur l'autre, les deux parties de la boucle qui sont attachées aux sangles du harnais (A) puis poussez-les dans la boucle rouge jusqu'à ce que vous entendiez un clic.

10

Régalez l'appui-tête (E) jusqu'à ce que les indicateurs de niveau des yeux (F) soient alignés avec les yeux de votre enfant. Pour ce faire, appuyez sur les deux boutons de réglage de l'appui-tête (M) et faites-le glisser vers le haut ou vers le bas. Remarque : les indicateurs de niveau des yeux (F) ne doivent pas être utilisés lors de l'utilisation de l'insert pour bébé (AXKID ONE+ 3 uniquement). Lorsque vous utilisez AXKID ONE+ 3 pour les nourrissons, assurez-vous toujours que l'appui-tête est dans la position la plus basse.

11

Vérifiez que les sangles de harnais (A) soient au niveau des épaules de votre enfant ou au maximum 1 cm au-dessus. Il sera peut-être nécessaire de régler de nouveau l'appui-tête (E), même si l'indicateur de niveau des yeux se désaligne des yeux de votre enfant. Tirez ensuite sur les sangles de harnais (A) pour ajuster le harnais sur les hanches de votre enfant. Tout en maintenant la tension des sangles (A), tirez sur la sangle de serrage du harnais (U) jusqu'à ce que le harnais soit suffisamment ajusté, vous ne devriez pas pouvoir placer plus d'un doigt entre les harnais (A) et les épaules de votre enfant.



# Réglages du siège

Une fois que le siège-auto AXKID ONE 3 est installé dans le véhicule, vous pouvez facilement régler à la fois l'espace pour les jambes et l'inclinaison de votre enfant. Ces réglages peuvent être effectués lorsque l'enfant est déjà installé dans le siège.

Pour assurer un bon ajustement dans toutes les voitures et offrir la meilleure protection à votre enfant, Axkid vous recommande fortement d'utiliser les guides de positionnement indiqués sur le côté du siège-auto. À mesure que votre enfant grandit, il est important d'ajuster l'inclinaison vers une position plus verticale pour offrir la meilleure protection possible au cou de votre enfant en cas d'accident. L'indication de taille est basée sur la taille de votre enfant. Assurez-vous que les deux flèches pointent vers la bonne zone.

Alter	Größe	
Nouveau-né 0-6 mois (Seulement AXKID ONE+3)	Inclinaison maximale - Un minimum d'espace pour les jambes	
Bambins 0-3 ans	Différentes positions d'inclinaison - Différents espaces pour les jambes	
Enfant 3-7 ans	Position la plus droite - Un maximum d'espace pour les jambes	

FR

## Régler le siège-auto AXKID ONE 3 dans le véhicule

- La place pour les jambes se règle en actionnant le bouton de réglage de profondeur (N) pour faire glisser le siège vers l'avant ou vers l'arrière. Pour éviter qu'AXKID ONE 3 ne glisse accidentellement vers l'avant, saisissez la poignée arrière (O) et tirez-la doucement vers l'arrière avant de relâcher le bouton de réglage de profondeur (N).
- L'inclinaison du siège-auto peut être réglée en tournant le bouton de réglage d'inclinaison (H).



# Retirer le siège-auto AXKID ONE 3 de votre véhicule

- Appuyez sur le bouton de la jambe de force (I) et repliez la jambe de force (R) dans sa position la plus courte.
- Faites glisser le bouton de déverrouillage de la barre anti-rebond (C) et rabattez la barre anti-rebond (D) vers le siège pour relâcher la tension contre le siège du véhicule.
- Déconnectez les connecteurs ISOFIX (Y) en appuyant sur les boutons ISOFIX (X) puis en les faisant glisser vers l'arrière.
- Tenez la barre anti-rebond (D) à l'aide d'une main et attrapez la poignée arrière (O) à l'aide de l'autre main et soulevez le siège-auto AXKID ONE 3 pour le sortir du véhicule.
- Repliez la jambe de force (R) en tirant sur la sangle de déverrouillage de la jambe de force (Q) et pliez la jambe de force vers le haut.

## Entretien et maintenance

- La housse du siège est amovible et peut être lavée en machine à 30 degrés en cycle court. Ne pas mettre la housse au sèche-linge cela pourrait abîmer le tissu et le rembourrage pourrait se détacher du tissu. Sur [www.axkid.com](http://www.axkid.com) vous pourrez trouver des vidéos vous expliquant comment enlever et remettre la housse.
- Pour retirer la housse textile du siège, tirez vers l'extérieur sur la housse latérale (L) et détachez l'œillet de textile. Ouvrez les boutons du dossier et retirez délicatement le couvercle du siège. Ouvrez les fermetures éclair du dossier et retirez délicatement la housse du siège. Notez comment la housse est positionnée sur le siège pour qu'elle soit plus facile à remettre. Lors de la réinstallation du cache latéral (L), insérez-la sous le cadre en aluminium et poussez simplement dans la fixation à encliquetage. Pour retirer le couvercle de l'appuie-tête, ouvrez les fermetures éclair et les boutons situés en bas de l'appuie-tête et du couvercle rembourré du dos, puis retirez délicatement le couvercle.
- Si la housse du siège doit être remplacée, assurez-vous que seul des produits Axkid d'origine soient utilisés. Si d'autres produits sont utilisés, le système de sécurité du siège-auto AXKID ONE 3 peut être compromis et entraîner des blessures graves en cas d'accident.
- Toutes les pièces en plastique du siège-auto AXKID ONE 3 peuvent être nettoyées avec un détergent doux et de l'eau. N'utilisez pas de produits chimiques agressifs contenant des solvants ou similaires, car cela pourrait endommager le plastique et compromettre la sécurité du siège-auto.
- Tous les matériaux utilisés dans le siège-auto AXKID ONE 3 sont recyclables et doivent être recyclés conformément à votre législation locale. Demandez conseil à votre centre de tri local lors du recyclage de ce produit.
- L'indicateur sonore (S) contient une pile CR1632 remplaçable. Veuillez retirer et recycler la batterie conformément à votre législation locale lorsque vous devrez vous séparer de votre siège-auto AXKID ONE 3. Dévissez les deux vis au bas de la jambe de force (R) et retirez le couvercle pour accéder à la batterie.
- N'apportez aucune modification ou altération au siège-auto AXKID ONE 3 autre que celles décrites dans ce manuel d'instructions.
- Toute réparation doit être effectuée par le fabricant ou un agent.

# Garantie

Le siège-auto AXKID ONE 3 est couvert par une garantie de 24 mois à compter de la date d'achat. Assurez-vous de garder votre facture d'achat afin de pouvoir la fournir à votre revendeur si nécessaire.

La garantie ne couvre pas :

- L'usure normale.
- Les dommages causés par un usage incorrecte, négligence ou par un accident.
- Si des réparations ont été effectuées par un tiers.
- Tous les matériaux utilisés ont une très haute résistance aux UV. Cependant, la lumière UV est très agressive et entraînera à la longue une décoloration de la housse de siège qui est inévitable. Ceci n'est pas couvert par notre garantie car considéré comme une usure normale.
- Manipulez le siège avec soin. Notez que le tissu mesh du dossier peut se rayer et s'abîmer facilement si on ne prend pas soin du siège. En dehors d'un défaut à la sortie d'usine, il n'est pas couvert par la garantie.

FR

## Recycler votre siège auto



Axkid recommande fortement le recyclage des vieux sièges d'auto. Avant de laisser le siège à votre station de recyclage locale, coupez les sangles du harnais du siège, retirez la housse textile, retirez autant de pièces en polystyrène que possible, séparez les pièces en métal et en plastique si possible. La partie principale du siège doit être marquée comme dangereuse ou périmée (utilisez un marqueur) pour dissuader quiconque de l'utiliser à nouveau. Veuillez vérifier vos directives municipales locales pour les instructions de recyclage pour les différents matériaux.

# Dziękujemy za wybranie AXKID ONE 3

Przeczytaj instrukcję obsługi przed montażem fotelika AXKID ONE 3 w swoim samochodzie. Po więcej informacji oraz filmy instruktażowe zapraszamy na [visit www.axkid.com](http://www.axkid.com).

**AXKID ONE 3** to fotelik samochodowy odpowiedni dla dzieci o wzroście pomiędzy 61-125cm oraz maksymalnej wadze 23kg.

**AXKID ONE+ 3** to fotelik samochodowy odpowiedni dla dzieci o wzroście pomiędzy 40-125cm oraz maksymalnej wadze 23kg.

AXKID ONE 3 to dziecięcy fotelik samochodowy zgodny z normą UN R129 (i-Size), przeznaczony do użytku na miejscach wskazanych jako kompatybilne przez producenta samochodu w instrukcji obsługi pojazdu. W razie wątpliwości skontaktuj się z producentem ([www.axkid.com](http://www.axkid.com)) lub sprzedawcą.

## Ważne informacje

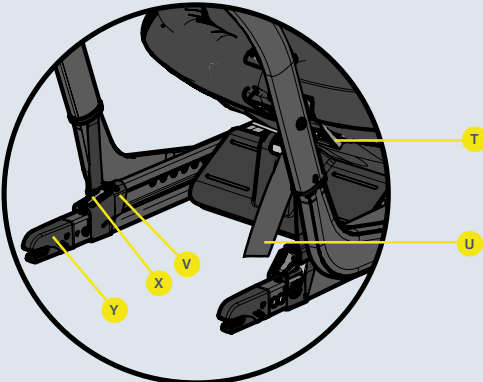
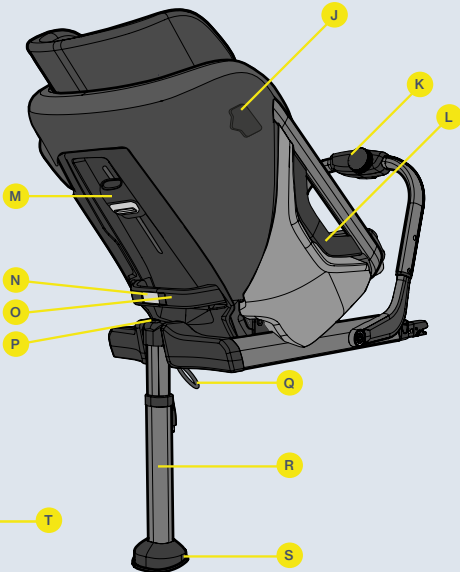
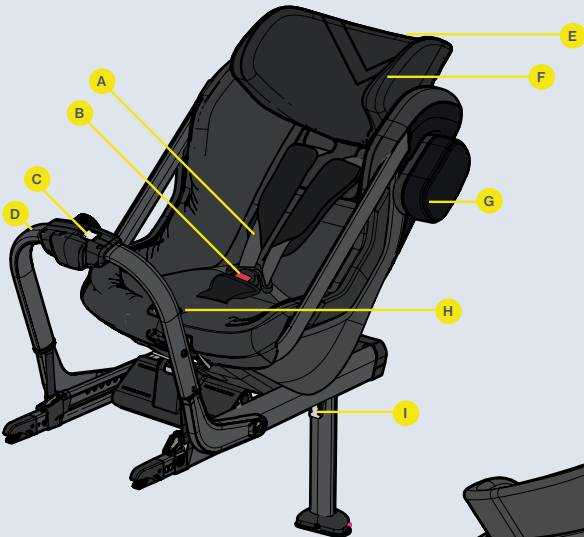
- Aby zachować optymalny poziom bezpieczeństwa twojego dziecka, upewnij się że stosujesz się do poniższych wytycznych:
- Zawsze używaj fotelika zgodnie z poniższą instrukcją. Błędnie użytkowany fotelik może zagrażać życiu i zdrowiu dziecka. W razie wątpliwości skontaktuj się ze sprzedawcą.
- Najnowszą wersję instrukcji obsługi można znaleźć na stronie [www.axkid.com/manuals](http://www.axkid.com/manuals).
- Nie używaj AXKID ONE 3 na miejscu wyposażonym w aktywną poduszkę powietrzną dla pasażera. Aby poprawnie zamontować fotelik na takim miejscu konieczna jest dezaktywacja poduszki zgodnie z instrukcją obsługi pojazdu.
- Fotelik samochodowy po kolizji, niezależnie od jej rozmiarów, winien zostać wymieniony na nowy, gdyż może on posiadać uszkodzenia niewidoczne gołym okiem a jego dalsze używanie może negatywnie wpłynąć na bezpieczeństwo dziecka. Z tego powodu Axkid nie rekomenduje zakupu fotelików z rynku wtórnego.
- Jeśli fotelik był narażony na promienie słoneczne, upewnij się że nie jest zbyt gorący przed umieszczeniem w środku dziecka.
- Nigdy nie zostawiaj dziecka w samochodzie bez opieki.
- Upewnij się, że wszelkie luźne bagaże i przedmioty są odpowiednio zabezpieczone, gdyż podczas ewentualnego wypadku mogą zagrażać one bezpieczeństwu pasażerów.
- Upewnij się, że po zainstalowaniu fotelika nie został on zakleszczony między fotelami, drzwiami auta itp.
- AXKID ONE 3 może być montowany wyłącznie tyłem do kierunku jazdy.
- Przed każdym użyciem upewnij się, że uprząż fotelika jest odpowiednio ustawiona do wzrostu dziecka. Uprząż regulowana jest poprzez poruszanie zagłówka w górę i w dół.
- Upewnij się, że plecy dziecka przylegają do fotelika, zanim zapniesz dziecko w uprząż.
- Upewnij się, że po zapięciu dziecka uprząż jest odpowiednio napięta. Nie powinno być możliwości uszczipnięcia uprząży.
- Upewnij się, że uprząż nie jest skręcona.
- Upewnij się, że noga wspierająca fotelika jest w odpowiedniej pozycji i opiera się o podłogę samochodu. Sprawdź, czy wskaźnik na nodze pokazuje kolor zielony i nie słyszysz sygnału dźwiękowego informującego o błędnym montażu nogi wspierającej.
- Nie próbuj samodzielnie rozkładać fotelika na części ani dokonywać żadnych modyfikacji. Może to pozbawić cię ochrony gwarancyjnej i wpłynąć negatywnie na bezpieczeństwo dziecka.
- Nigdy nie używaj fotelika bez tapicerki. Tapicerka jest częścią fotelika odpowiedzialną za bezpieczeństwo i może być wymieniona wyłącznie na oryginalną tapicerkę Axkid.
- Przeczytaj instrukcję obsługi samochodu aby sprawdzić, na których siedzeniach możesz montować ten fotelik.
- Axkid rekomenduje użycie maty ochronnej aby chronić kanapę samochodu przed uszkodzeniami i brudem.
- W razie problemów skontaktuj się ze sprzedawcą lub napisz na [info@axkid.com](mailto:info@axkid.com)

# Spis treści

Części	64
Dozwolone i niedozwolone pozycje w samochodzie	66
Montaż fotelika AXKID ONE 3 w samochodzie	67
Zapięcie dziecka w foteliku	68
Dopasowanie fotelika do dziecka	69
Regulacja fotelika	69
Demontaż fotelika z samochodu	70
Pielęgnacja i konserwacja	70
Gwarancja	71

PL

# Części





Uprząż barkowa (A)	Przyciski regulacji zagłówka (M)
Przycisk rozpinający uprząż (B)	Przycisk regulacji miejsca na nogi (N)
Przycisk zwalnający ramę antyrotacyjną (C)	Tyłny uchwyt (O)
Rama antyrotacyjna (D)	Wskaźnik pozycji nogi podpierającej (P)
Zagłówek (E)	Pasek zwalnający blokadę nogi (Q)
Wskaźnik poziomego oczu (F)	Noga podpierająca (R)
Ostona ASIP (G)	Wskaźnik dźwiękowy (S)
Pokrętko regulacji nachylenia (H)	Przycisk regulacji upręży (T)
Przycisk regulacji nogi podpierającej (I)	Pasek napinający uprząż (U)
Łącznik ASIP (J)	Wskaźnik zapięcia ISOFIX (V)
Pokrętko regulacji ramy antyrotacyjnej (K)	Przyciski ISOFIX (X)
Boczna osłonka tapicerki (L)	Złącza ISOFIX (Y)

# Dozwolone i niedozwolone pozycje w samochodzie

AXKID ONE 3 może być instalowany wyłącznie za pomocą złącz ISOFIX, tyłem do kierunku jazdy. Jego montaż jest dozwolony na wszystkich miejscach w samochodzie oznaczonych symbolem i-Size, może również pasować do siedzeń wyposażonych w system ISOFIX lecz nieoznaczonych symbolem i-Size. Celem znalezienia odpowiedniego miejsca do instalacji przeczytaj instrukcję obsługi swojego samochodu i listę dopuszczonych pojazdów na [www.axkid.com](http://www.axkid.com)

Przedni fotel pasażera wyposażony w ISOFIX (Brak aktywnej poduszki powietrznej)	TAK/NIE*
Przedni fotelik pasażera wyposażony w ISOFIX (Aktywna poduszka powietrzna)	NIE
Tyłny fotel pasażera wyposażony w ISOFIX	TAK
Fotele nie wyposażone w ISOFIX	NIE



**WAŻNE:** Jeśli chcesz zainstalować fotelik AXKID ONE 3 na miejscu wyposażonym w poduszkę powietrzną dla pasażera, upewnij się że nie jest ona aktywna. Niektóre samochody wymagają wizyty w autoryzowanym serwisie celem dezaktywacji poduszki powietrznej pasażera

\* Art. 117 kodeksu ruchu drogowego w Hiszpanii zabrania przewożenia dzieci niższych niż 135cm na przednim fotelu, bez wyjątków.



Nigdy nie instaluj fotelika na fotelu pasażera wyposażonym w aktywną poduszkę powietrzną.





# Montaż fotelika AXKID ONE 3 w samochodzie

1

Przed instalacją fotelika zminimalizuj jego wymiary poprzez naciśnięcie przycisku regulacji miejsca na nogi (N) i przesunięciu siedziska w stronę ramy antyrotacyjnej (D). Rozstaw nogę podpierającą (R) aż do usłyszenia kliknięcia i pojawienia się koloru zielonego na wskaźniku pozycji nogi podpierającej (P)

2

Naciśnij przycisk regulacji ramy antyrotacyjnej (C) i złóż ramę (D) w kierunku siedziska fotelika. Trzymając jedną ręką ramę antyrotacyjną (D) i drugą ręką tylny uchwyt (O) unieś fotelik, wóź go do samochodu ramą (C) do przodu i ustaw w pozycji tyłem do kierunku jazdy.

3

Docisnij złącza ISOFIX (Y) do metalowych uchwytów ISOFIX aż usłyszysz kliknięcie i pojawi się zielony kolor na obu wskaźnikach wpięcia ISOFIX (V).

4

Puść ramę antyrotacyjną (D), która zacznie automatycznie dociskać się do oparcia fotela samochodowego. Przekręć pokrętko regulacji ramy (K) zgodnie z ruchem wskazówek zegara aż poczujesz i usłyszysz kliknięcie., rama antyrotacyjna (D) powinna być teraz stabilnie zaparta o oparcie siedzenia. Pokrętko regulacji ramy (K) posiada wbudowany ogranicznik obrotu, kliknięcie mechanizmu wskazuje na maksymalne możliwe zaparcie ramy antyrotacyjnej (D) o oparcie fotela.

5

Naciśnij przycisk regulacji nogi podpierającej (I) i pociągnij nogę podpierającą (R) w dół, do momentu dotknięcia podłogi samochodu. Zwolnij przycisk regulacji nogi (I) i unieś fotelik lekko do góry, aby umożliwić dalsze wydłużenie nogi podpierającej (R), aż do usłyszenia kliknięcia. Noga podpierająca (R) powinna być teraz bezpiecznie i stabilnie oparta o podłogę samochodu. Uwaga: Fotelik AXKID ONE 3 jest wyposażony we wskaźnik dźwiękowy (S), który będzie wydawał dźwięk do momentu poprawnego oparcia nogi podpierającej (R) o podłogę.

6

Wsuń osłonę ASIP (G) w prowadnicę na łączniku ASIP (J) i przesuwaj ją w dół, do momentu usłyszenia kliknięcia. Jeśli łącznik ASIP (J) jest osłonięty plastikową zaślepką, zdejmij ją i umieść na łączniku ASIP (J) z drugiej strony fotelika. Upewnij się, że osłona ASIP (G) jest przymocowana od tej strony fotelika, która jest najbliższej drzwi pojazdu.



# Zapięcie dziecka w foteliku

Przed zapięciem dziecka w foteliku upewnij się, że korzystasz z odpowiednich wkładek. AXKID ONE 3 jest zaprojektowany tak, aby rosnąć wraz z twoim dzieckiem i zapewniać bezpieczne i wygodne do pasowanie do wszystkich dzieci.

Rekomendujemy używanie odpowiednich wkładek do momentu, aż dziecku będzie w nich zbyt ciasno., minimalny wzrost od którego można usunąć wkładkę znajduje się w tabelce poniżej (zauważ, że wiek jest wyłącznie orientacyjny):

Wiek	Wzrost	
Niemowlę 0-6 mcy (Wyłącznie AXKID ONE+3)	0 – 60 cm	
Małe dziecko 0-3 lat	61 – 105 cm	
Większe dziecko 3-7 lat	105 – 125 cm	

7

Naciśnij przycisk luzowania uprząży (T) i pociągnij oba pasy uprząży barkowej jednocześnie (A). Unikaj ciągnięcia pasów barkowych (A) pojedynczo, może to spowodować że będą nierówne.

8

Rozepnij klamrę poprzez naciśnięcie przycisku (B), odsuń pasy na boki fotelika.

9

Posadź dziecko w foteliku i umieść uprząż barkową (A) na jego ramionach. Połącz obie części sprzączki uprząży i umieść w klamrze między nóżkami dziecka, aż usłyszysz kliknięcie.

10

Reguluj zagłówek (E) aż wskaźnik poziomu oczu dziecka (F) zrówna się z oczami twojego dziecka. Zagłówek regulować można przyciskając jednocześnie oba przyciski regulacji (M) i przesuwając go w górę i w dół. Uwaga: Nie należy zwracać uwagi na wskaźnik poziomu oczu dziecka (F), jeśli w użyciu jest wkładka niemowlęca (dotyczy wyłącznie AXKID ONE+ 3). Podczas używania wkładki niemowlęcej w foteliku AXKID ONE+ 3 zagłówek powinien być zawsze w najniższej pozycji.

11

Sprawdź, czy wysokość uprząży barkowej (A) jest ustawiona poprawnie. Uprząż powinna wychodzić z fotelika na poziomie ramion dziecka lub maksymalnie 1cm nad nimi. Może to wymagać ponownej regulacji zagłówka (E), nawet jeśli to sprawi, że wskaźnik poziomu oczu nie będzie pokrywał się dokładnie z linią oczu dziecka. Pociągnij za uprząż barkową (A) aby napiąć pasy na biodrach dziecka. Pociągnij pasek napinający uprząż, aż będzie ona tak dociągnięta, że nie możliwe będzie wsunięcie maksymalnie jednego palca pomiędzy uprząż barkową <A) a ramię dziecka.



# Dopasowanie fotelika do dziecka

Po montażu fotelika AXKID ONE 3, możliwa jest regulacja ilości miejsca na nogi dziecka oraz kąta nachylenia siedziska. Regulacja jest możliwa w trakcie przebywania dziecka w foteliku.

Aby zapewnić dobre dopasowanie do każdego auta i zapewnić dziecku maksymalne bezpieczeństwo, rekomendujemy aby korzystać ze wskazówek dotyczących pozycjonowania siedziska umieszczonych z boku fotelika. W miarę jak twoje dziecko rośnie, ważne jest użytkowanie siedziska w bardziej siedzącej pozycji aby zapewnić dziecku najlepszą ochronę w razie wypadku drogowego.

Wskaźnik pozycji siedziska jest oparty o wzrost dziecka. Upewnij się, że obie strzałki znajdują się w odpowiednich pozycjach.

Wiek	Regulacja	
Niemowlę 0-6 mcy (Wyłącznie AXKID ONE+ 3)	Maksymalny pochył, minimalna ilość miejsca na nogi	<b>0-60 cm</b> 
Małe dziecko 0-3 lat	Wszystkie pozycje siedziska, szereg pozycji miejsca na nogi	<b>61-105 cm</b> 
Większe dziecko 3-7 lat	Maksymalnie siedząca pozycja, maksymalna ilość miejsca na nogi	<b>106-125 cm</b> 

PL

## Regulacja fotelika

- Miejsce na nogi regulowane jest za pomocą naciśnięcia przycisku regulacji miejsca na nogi (N) i przesuwania siedziska w przód i w tył. Aby uniemożliwić fotelikowi niekontrolowany ruch podczas regulacji, złap tylny uchwyt (O) i delikatnie pociągnij go przed naciśnięciem przycisku (N)
- Kąt nachylenia fotelika może być regulowany za pomocą pokrętła regulacji nachylenia siedziska (H)



## Demontaż fotelika z samochodu

- Naciśnij przycisk regulacji nogi podpierającej (I) i skróć maksymalnie nogę (R).
- Przesuń przycisk regulacji ramy antyrotacyjnej (C) i złóż ramę (D) w kierunku siedziska fotelika aby stworzyć luz umożliwiający jego wypięcie.
- Wypnij złącza ISOFIX (Y) naciskając przyciski (X) i odsuń fotelik od oparcia fotela samochodowego.
- Trzymając jedną ręką ramę antyrotacyjną (D) i drugą ręką tylny uchwyt (O) podnieś fotelik i wyjmij go z pojazdu.
- Złóż nogę podpierającą (R) ciągnąc za pasek (Q) i składając nogę (R) w kierunku podstawy fotelika.

## Pielęgnacja i konserwacja

- Pokrycie fotelika może być prane w 30°C w programie delikatnym. Nie wkładaj pokrycia do suszarki, gdyż może ona uszkodzić materiały z jakich jest wykonane. Odwiedź [www.axkid.com](http://www.axkid.com) celem sprawdzenia jak zdjąć i założyć pokrycie fotelika.
- Aby zdjąć pokrowiec tekstylny z fotelika, należy pociągnąć boczną osłonę (L) na zewnątrz i odzepić zaczep pokrowca. Należy otworzyć przyciski na oparciu i delikatnie zdjąć pokrowiec z siedziska. Rozepnij zamek błyskawiczny z tyłu fotelika i delikatnie zdejmij z niego pokrycie. Zapamiętaj sposób jego mocowania aby ułatwić sobie ponowne jego założenie na fotelik. Aby umieścić boczną osłonę tapicerki (L) z powrotem, nałóż ją na aluminiową ramę fotelika i przesuń w kierunku mocowania. Aby zdjąć pokrowiec zagłówka, należy otworzyć zamki błyskawiczne i przyciski na spodzie zagłówka i wyścielonego pokrowca oparcia, a następnie delikatnie zdjąć pokrowiec.
- Jeśli pokrycie wymaga wymiany upewnij się, że używasz wyłącznie oryginalnych produktów Axkid. W innym wypadku poziom bezpieczeństwa twojego dziecka może zostać wyraźnie obniżony.
- Wszystkie plastikowe części fotelika AXKID ONE 3 mogą zostać wyczyszczone za pomocą wody i delikatnych detergentów. Nie używaj agresywnej chemii zawierającej rozpuszczalniki i tym podobne aby nie uszkodzić elementów fotelika.
- Wszystkie materiały użyte w produkcji fotelika AXKID ONE 3 podlegają recyklingowi i powinny zostać przetworzone zgodnie z prawem obowiązującym w twoim miejscu zamieszkania. Celem uzyskania wskazówek skontaktuj się z najbliższym punktem recyklingu śmieci.
- Wskaźnik dźwiękowy (S) jest wyposażony w wymienną baterię CR1632. Zużyte baterie należy poddać recyklingowi zgodnie z prawem obowiązującym w twoim miejscu zamieszkania. Usuń baterię, kiedy twój fotelik nie będzie już więcej używany. Baterię można usunąć odkręcając dwie śrubki na spodzie nogi podpierającej (R)
- Nie dokonuj żadnych modyfikacji ani zmian w foteliku, które nie są opisane w niniejszej instrukcji obsługi.
- Wszelkie naprawy muszą zostać wykonane w fabryce lub autoryzowanym serwisie Axkid.

# Gwarancja

Na fotelik AXKID ONE 3 obowiązuje 24 miesięczna gwarancja liczona od daty zakupu. Zachowaj dowód zakupu i dostarcz go do sprzedawcy razem z fotelikiem, jeśli będziesz potrzebował skorzystać z ochrony gwarancyjnej.

Gwarancja nie obejmuje:

- Normalnego zużycia materiałów
- Uszkodzeń powstałych w wyniku niepoprawnego używania, nieuważności.
- Jeśli naprawy były dokonywane poza autoryzowanym serwisem.
- Wszystkie użyte materiały posiadają wysoką wytrzymałość na promieniowania UV. Jednakże promieniowanie UV jest bardzo agresywne i może prowadzić do wyblaknięcia materiałów. Nie jest to objęte gwarancją i jest rozpatrywane jako normalne zużycie.
- Obchodź się z fotelikiem ostrożnie. Materiał z jakiego wykonany jest tył fotelika jest delikatny i narażony na uszkodzenia. Uszkodzenia inne niż te powstałe w fabryce nie podlegają naprawie gwarancyjnej.

PL

## Recykling fotelika samochodowego



Axkid zdecydowanie zaleca recykling starych fotelików samochodowych. Przed pozostawieniem fotelika w lokalnej stacji recyklingu odetnij pasy uprząży z fotelika, zdejmij pokrowiec tekstylny, usuń jak największą część styropianowych, jeśli to możliwe oddziel części metalowe i plastikowe. Główna część fotelika powinna być oznaczona jako niebezpieczna lub przeterminowana (użyj markera), aby odstraszyć kogokolwiek przed ponownym użyciem. Prosimy o zapoznanie się z lokalnymi wytycznymi władz miejskich w celu uzyskania instrukcji dotyczących recyklingu różnych materiałów.

# Tack för att du valt AXKID ONE 3

Läs denna instruktionsbok innan du monterar bilbarnstolen AXKID ONE 3 i bilen. Mer information och monteringsfilmer finns på [www.axkid.com](http://www.axkid.com).

**AXKID ONE 3** är en bakåtvänd bilbarnstol som är godkänd för barn som är mellan 61–125 cm långa och som maximalt väger 23 kg.

**AXKID ONE+ 3** är en bakåtvänd bilbarnstol som är godkänd för barn som är mellan 40–125 cm långa och som maximalt väger 23 kg.

Detta är ett i-Size-bilbarnstolssystem med förbättrat skydd. Det är godkänt i enlighet med FN-föreskrift nr 129/02 för användning i i-Size-kompatibla fordonssittlägen vilka anges av fordonstillverkaren i fordonets instruktionsbok. Om du är osäker, vänd dig antingen till tillverkaren av det förbättrade bilbarnstolssystemet ([www.axkid.com](http://www.axkid.com)) eller återförsäljaren.

## Viktig information

För att maximera säkerheten för barnet är det viktigt att tänka på följande:

- Följ alltid anvisningarna i instruktionsboken noggrant. En felaktig montering kan allvarigt påverka säkerheten för ditt barn. Om du är osäker på om du gjort rätt, kontakta din återförsäljare som kan visa dig korrekt montering.
- Den senaste versionen av bruksanvisningen finns på [www.axkid.com/manuals](http://www.axkid.com/manuals).
- Använd inte en AXKID ONE 3 bilbarnstol på ett säte med en aktiv frontalkrockkudde. Om du trots allt vill montera AXKID ONE 3 på denna plats måste krockkudden kopplas ur enligt fordonstillverkarens anvisningar.
- Bilbarnstolen ska bytas ut om den varit med om en olycka, oavsett hur liten olyckan än är. Den kan ha skador som inte syns vilka allvarigt kan påverka säkerheten för ditt barn. Därför avråder Axkid alltid från att köpa en begagnad bilbarnstol.
- Om AXKID ONE 3 bilbarnstolen har utsatts för direkt solljus, kontrollera att sätet inte är för varmt innan du sätter fast ditt barn.
- Lämna aldrig barnet utan uppsikt i bilen.
- Se till att eventuellt bagage och lösa föremål är ordentligt fästa i bilen eftersom de kan orsaka personskada vid en olycka.
- Se till att AXKID ONE 3 bilbarnstolen är monterad så att inga delar kan fastna i rörliga säten, bildörrar osv.
- AXKID ONE 3-bilbarnstolen får endast monteras bakåtvänd.
- Se alltid till att bältet är justerat för att korrekt passa ditt barns kropp. Bältet justeras genom att man flyttar huvudstödet.
- Se till att barnets rygg ligger mot bilbarnstolen när du spänner fast ditt barn med bältet.
- Se alltid till att bältet är ordentligt åtdraget mot ditt barn och att spännet är helt låst. Du ska inte kunna nypa tag om remmarna.
- Se till att bältet inte har snott sig.
- Se alltid till att stödbenet är i rätt position och har kontakt med fordonets golv. Kontrollera att indikatorn högst upp på stödbenet är grön och att du inte hör något pip ljud från stödbenets fot.
- Försök inte att demontera eller modifiera någon del av AXKID ONE 3 bilbarnstolen. Garantin och säkerhetsprestandan för AXKID ONE 3-bilbarnstolen kan påverkas om du gör det.
- Använd aldrig AXKID ONE 3 bilbarnstolen utan sitsens tygklädsel. Sitsens tygklädsel är en säkerhetsfunktion och får endast ersättas med en Axkid originalklädsel i tyg.
- Kontrollera i fordonets instruktionsbok vilka sittlägen som passar för denna bilbarnstol.
- Axkid rekommenderar att alltid använda sitsskydd för att skydda bilens säte från repor och smuts.
- Vid tvivel, kontakta återförsäljaren där bilbarnstolen köptes eller kontakta [info@axkid.com](mailto:info@axkid.com)

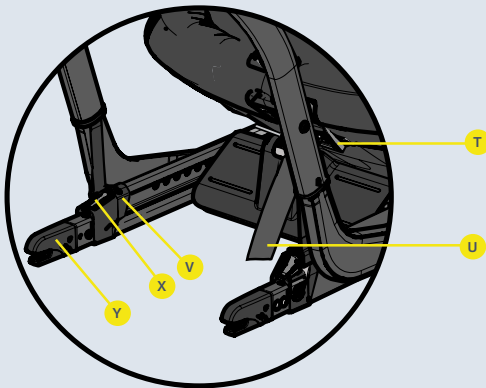
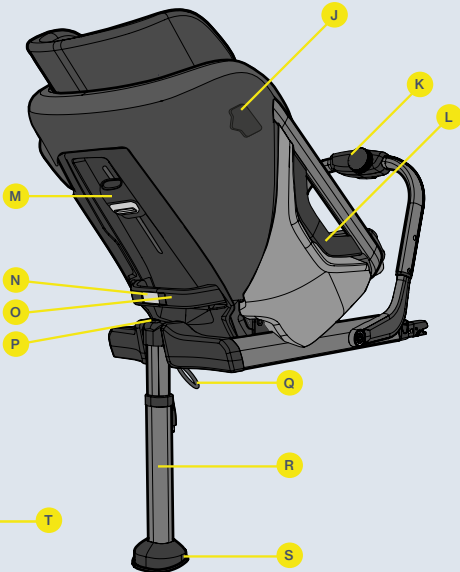
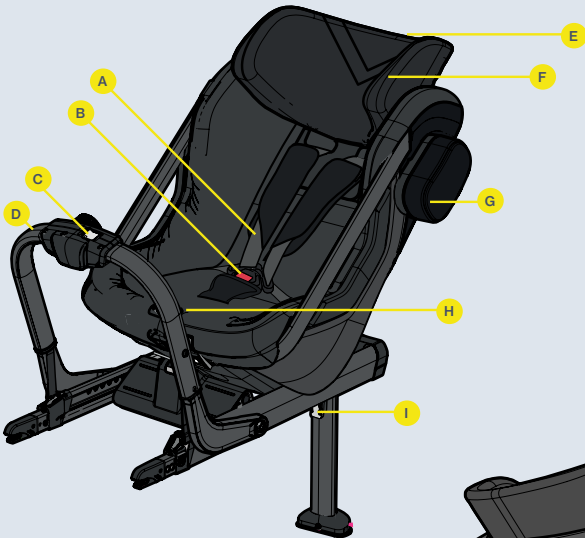


# Innehållsförteckning

Delar	74
Tillåten och otillåten placering av bilbarnstolen AXKID ONE 3	76
Montera AXKID ONE 3-bilbarnstolen i fordonet	77
Spänna fast ditt barn i AXKID ONE 3 bilbarnstolen	78
Justera sätet	79
Justera AXKID ONE 3 bilbarnstolen	79
Plocka ut AXKID ONE 3 bilbarnstolen ur fordonet	80
Skötsel och underhåll	80
Garanti	81

SV

# Delar



Axelremmar (A)	Justeringsknappar för nackstöd (M)
Frigöringsknapp (B)	Justeringsknapp för benutrymme (N)
Frigöringsknapp för främre stag (C)	Bakre handtag (O)
Främre stag (D)	Positionsindikator för stödben (P)
Nackstöd (E)	Frigöringsrem för stödben (Q)
Indikator för ögonhöjd (F)	Stödben (R)
ASIP-skydd (G)	Ljudindikator (S)
Vred för lutningsposition (H)	Frigöringsknapp för bälte (B)
Knapp för stödben (I)	Spännband för bälte (U)
ASIP-koppling (J)	Låsindikatorer för ISOFIX (V)
Främre stagets vred (K)	ISOFIX-knappar (X)
Sidoklädsel (L)	ISOFIX-kopplingar (Y)

# Tillåten och otillåten placering av bilbarnstolen AXKID ONE 3

AXKID ONE 3 bilbarnstolen får endast monteras bakåtvänd med hjälp av ISOFIX. Den är godkänd för användning i alla i-Size-godkända sittpositioner men kan också passa i andra icke i-Size-godkända ISOFIX-sittpositioner. Kontrollera vilka sittpositioner som är lämpliga i fordonets instruktionsbok och kontrollera fordonslistan på [www.axkid.com](http://www.axkid.com)

Framsäte med ISOFIX (ej aktiv airbag)	JA/NEJ*
Framsäte med ISOFIX (aktiv airbag)	NEJ
Passagerarsäte med ISOFIX	JA
Sidosäte och bakåtvända säten med ISOFIX	NEJ
Säte utan ISOFIX	NEJ



**VIKTIGT!** Om du vill installera din AXKID ONE 3-bilbarnstol på en plats där det sitter en frontalkrockkudde monterad måste krockkudden plockas bort enligt fordonstillverkarens anvisningar. Observera att för vissa fordon krävs det att ett auktoriserat Service Center plockar bort krockkudden.

\*Enligt artikel 117 i Spaniens allmänna trafikregleringen är det, utan undantag, förbjudet att köra med barn som är 135 centimeter långa eller kortare i fordonets framsäten.



Montera aldrig basen på ett säte där det finns en aktiv krockkudde/airbag.





# Montera AXKID ONE 3 bilbarnstolen i fordonet

1

Innan du installerar AXKID ONE 3 bilbarnstolen i ditt fordon, minimera dess storlek genom att frigöra justeringsknappen för benutrymme (N) och skjut sätet mot det främre staget (D). Fäll ner stödbenet (R) tills ett klickljud hörs och stödbenets positionsindikator (P) blir grön.

2

Lossa frigöringsknappen för det främre staget (C) och fäll det främre staget (D) mot sätet. Håll kvar i det främre staget (D) med ena handen och ta tag i det bakre handtaget (O) med den andra handen och lyft in bilbarnstolen AXKID ONE 3 i fordonet med det främre staget (D) först och vänd den sedan till den bakåtvända positionen.

3

Skjut in ISOFIX-kopplingarna (Y) i ISOFIX-kopplingspunkterna i fordonet tills du hör ett klickljud och båda ISOFIX-låsindikatorerna (V) blir gröna.

4

Släpp det främre staget (D) som kommer att börja spänna sig mot fordonets säte. När det stannar, vrid det främre stagets vred (K) medurs tills du känner och hör ett klick. Det främre staget (D) bör nu vara ordentligt pressat mot fordonets säte. Det främre stagets vred (K) har en inbyggd momentbegränsare och klicket indikerar att det främre staget (D) är korrekt åtdraget och inte kan dras åt längre.

5

Tryck på stödbenets knapp (I) och dra stödbenet (R) nedåt tills det är i kontakt med fordonets golv. Släpp upp stödbenets knapp (I) och lyft bilstolen uppåt för att ytterligare förlänga stödbenet (R) tills du hör ett klick. Stödbenet (R) bör nu vara låst och ordentligt pressat mot fordonets golv. Obs! AXKID ONE 3 bilbarnstolen är utrustad med en ljudindikator (S) som kommer att fortsätta att pipa tills stödbenet (R) är ordentligt pressat mot golvet, vilket indikerar korrekt montering.

6

För in ASIP-skyddet (G) i spåren på ASIP-kopplingen (J) och för nedåt så klickar ASIP-skyddet (G) på plats. Om det finns ett plasthölje på ASIP-kopplingen (J), ta bort det och placera det på ASIP-kopplingen (J) på den motsatta sidan av sätet innan du monterar ASIP-skyddet (G). Se till att ASIP-skyddet (G) är fäst på den sida av AXKID ONE 3 bilbarnstolen som är närmast fordonets dörr.

SV



# Spänna fast ditt barn i AXKID ONE 3 bilbarnstolen

Innan du spänner fast ditt barn i AXKID ONE 3 bilbarnstolen, se till att korrekt inlägg är monterade i sätet. AXKID ONE 3 är utformad för att växa med ditt barn och för att garantera en bekväm och säker passform för alla barn.

Axkid rekommenderar att använda det relevanta inlägget tills passformen är för snäv för ditt barn, minimilängden enligt tabellen nedan ska dock respekteras (observera att åldern endast är en indikation):

Ålder	Längd	
Spädbarn 0–6 månader (endast AXKID ONE+ 3)	0 – 60 cm	
Småbarn 0–3 år	61 – 105 cm	
Barn 3–7 år	105 – 125 cm	

**7** Lossa bältet genom att trycka på bältets frigöringsknapp (T) och dra ut båda axelbanden (A) på samma gång. Undvik att endast dra i ett band i taget eftersom det kan leda till att axelbanden (A) blir ojämna.

**8** Lås upp spännet genom att trycka på spännets frigöringsknapp (B) och placera banden utanför sätet.

**9** Placera ditt barn i sätet och placera axelbanden (A) över barnets axlar. Lås bältet genom att först sätta ihop spännedelarna som är fästa i axelbanden (A) och tryck sedan in dem i spännet tills du hör ett klickljud.

**10** Justera nackstödet (E) tills indikatorerna för ögonhöjd (F) är i nivå med barnets ögon genom att trycka på båda justeringsknapparna för nackstödet (M) och föra det uppåt eller nedåt. Obs: Indikatorerna för ögonhöjd (F) ska inte användas vid användning av spädbarnsinlägget (endast AXKID ONE+ 3). När du använder AXKID ONE+ 3 för spädbarn ska du alltid se till att nackstödet är i det understa läget.

**11** Kontrollera att axelbanden (A) går vinkelrätt in genom sätet från barnets axlar eller högst 1 cm ovanför. Du kan behöva justera nackstödet (E) igen, även om indikatorn för ögonhöjd hamnar ur linje med barnets ögon. Dra nu i axelbanden (A) för att dra åt bältet över barnets höfter. Samtidigt som du behåller spänningen i axelbanden (A) drar du i bältetsspännbandet (U) tills bältet är tillräckligt åtdraget. Du ska inte kunna föra in mer än ett finger mellan axelbanden (A) och ditt barns axlar.



# Justera sätet

Efter att AXKID ONE 3-bilbarnstolen har monterats i ditt fordon kan du enkelt justera både benutrymmet och ryggstödet lutning för ditt barn. Detta kan också göras medan ditt barn sitter fastspänt i bilen sätet.

För att garantera god passform i alla bilar och bästa möjliga skydd för ditt barn rekommenderar Axkid å det strängaste att du använder de anvisade positionerna som är markerade på sidan av bilstolen. När ditt barn växer är det viktigt att justera lutningen till en mer upprätt position för att ge bästa möjliga skydd för ditt barns nacke i händelse av en olycka. Storleksindikeringen baseras på barnets längd. Kontrollera att båda pilarna pekar på rätt zon

Ålder	Längd	
Spädbarn 0-6 månader (endast AXKID ONE+ 3)	Maximal lutning Minimalt benutrymme	<b>0-60 cm</b> 
Småbarn 0-3 år	Alla lutningspositioner Flera positioner för benutrymme	<b>61-105 cm</b> 
Barn 3-7 år	Maximal upprätt position Maximalt benutrymme	<b>106-125 cm</b> 

SV

## Justera AXKID ONE 3 bilbarnstolen

- Benutrymmet justeras genom att man frigör justeringsknappen för benutrymme (N) och för sätet framåt eller bakåt.
- För att undvika att AXKID ONE 3 glider framåt av misstag, ta tag i det bakre handtaget (O) och dra det försiktigt bakåt innan du frigör justeringsknappen för benutrymme (N).
- Lutningspositionen kan justeras genom att man vrider på vredet för lutningspositionen (H).



# Plocka ut AXKID ONE 3 bilbarnstolen ur ditt fordon

- Tryck på knappen för stödbenet (I) och komprimera stödbenet (R) till dess kortaste position.
- För på frigöringsknappen för det främre staget (C) och fäll det främre staget (D) mot sätet för att lossa på spänningen mot fordonssätet.
- Koppla loss ISOFIX-kopplingarna (Y) genom att trycka ned ISOFIX-knapparna (X) och skjut dem bakåt bort ifrån fordonets säte.
- Håll kvar det främre staget (D) med ena handen och ta tag i det bakre handtaget (O) med den andra handen och lyft ut AXKID ONE 3 ur fordonet.
- Fäll upp stödbenet (R) genom att dra i stödbenets frigöringsrem (Q) och fäll stödbenet (R) uppåt.

## Skötsel och underhåll

- Sätets tygklädsel kan tvättas i maskin på 30 °C handtvättsprogram. Torka inte i torktumlare, det kan skada klädseln och vadderingen kan lossna från tyget. På [www.axkid.com](http://www.axkid.com) finns filmer som visar hur man tar av och sätter tillbaka klädseln.
- För att ta bort tygklädseln från sätet, dra utåt på sidoklädseln (L) och lossa öljetten på tyget. Öppna knapparna vid ryggstödet och ta försiktigt bort klädseln från sätet. Öppna dragkedjorna vid ryggstödet och ta försiktigt bort klädseln från sätet. Notera hur det sitter fäst runt sätet så går det lättare att sätta tillbaka. När du monterar tillbaka sidoklädseln (L), för in den under aluminiumramen och tryck fast det i knäppfästet. För att ta bort nackstödet klädsel, öppna blixtlåsen och knapparna på undersidan av nackstödet och överdraget och ta försiktigt av klädseln.
- Om klädseln behöver bytas ut, använd endast originalprodukter från Axkid. Om andra produkter används kan säkerhetssystemet hos AXKID ONE 3- bilbarnstolen äventyras, vilket kan orsaka allvarlig personskada vid en olycka.
- Alla plastdelar på AXKID ONE 3 bilbarnstol kan rengöras med mildt rengöringsmedel och vatten. Använd inte starka kemikalier som innehåller lösningsmedel och liknande, eftersom det kan skada plasten och försämra bilbarnstolens säkerhet.
- Alla material som använts i AXKID ONE 3 bilbarnstol är återvinningsbara och ska återvinnas i enlighet med lokala bestämmelser. Fråga din kommun om du är osäker på hur du ska återvinna produkten.
- Ljudindikatorn (S) innehåller ett utbytbart CR1632-batteri. Plocka ut och återvinn batteriet enligt lokala bestämmelser när AXKID ONE 3 bilbarnstolen inte längre ska användas. Skruva loss de två skruvarna längst ner på stödbenet (R) och ta bort locket för att komma åt batteriet.
- Gör inga modifikationer eller ändringar på AXKID ONE 3 bilbarnstolen annat än de som redovisas i denna instruktionsbok.
- Eventuella reparationer måste utföras av tillverkaren eller dess agent.



# Garanti

AXKID ONE 3 bilbarnstolen omfattas av en 24 månaders garanti från inköpsdatumet. Spara alltid kvittot och ta med det till återförsäljaren vid eventuell reklamation.

Garantin täcker inte:

- Normalt slitage
- Skada till följd av felaktig användning, försummelse eller olycka
- Reparationer som utförts av tredje part
- Alla material har hög motståndskraft mot UV-strålning. UV-strålning från solen är emellertid mycket stark och gör att tyget bleks. Detta omfattas inte av garantin utan anses vara normalt slitage.
- Hantera sätet med försiktighet. Observera att baksidans nättyg lätt kan repas och skadas. Såvida nätet inte har en fabriksdefekt omfattas det inte av garantin.

## Återvinning av din bilbarnstol



Axkid rekommenderar starkt återvinning av gamla bilbarnstolar. Innan du lämnar sätet på din lokala återvinningsstation, klipp av selen från sätet, ta bort textilöverdraget, ta bort så många frigolitdelar som möjligt, separera metall- och plastdelar om möjligt. Huvuddelen av sätet ska vara märkt som osäkert eller utgått (använd en markör) för att avskräcka någon från att använda den igen. Se din lokala kommunala riktlinjer för återvinningsinstruktioner för de olika materialen.

# Takk for at du valgte AXKID ONE 3

Les denne bruksanvisningen før du monterer bilstolen AXKID ONE 3 i kjøretøyet. Du finner mer informasjon og monteringsvideoer på [www.axkid.com](http://www.axkid.com).

**AXKID ONE 3** er en bakovervendt bilstol som er godkjent for barn med en kroppshøyde på mellom 60 og 125 cm og en maksimal vekt på 23 kg.

**AXKID ONE+ 3** er en bakovervendt bilstol som er godkjent for barn med en kroppshøyde på mellom 40 og 125 cm og en maksimal vekt på 23 kg.

Dette er et forbedret barnesikringsssystem av typen i-Size. Systemet er godkjent i henhold til FN's forordning nr. 129 for bruk i i-Size-kompatible seteplasser som angitt av kjøretøyprodusentene i kjøretøyet instruksjonsbok. Er du usikker, ber vi deg kontakte produsenten av barnesikringssystemet ([www.axkid.com](http://www.axkid.com)) eller forhandleren.

## Viktig informasjon

For at barnet skal være maksimalt beskyttet er det viktig å huske følgende:

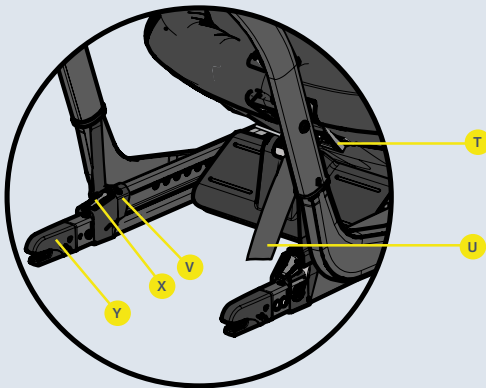
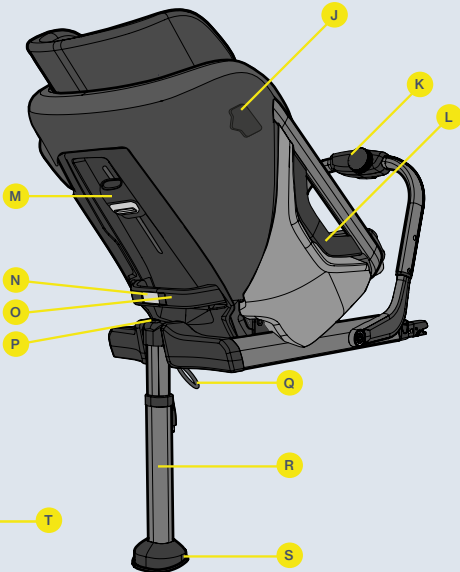
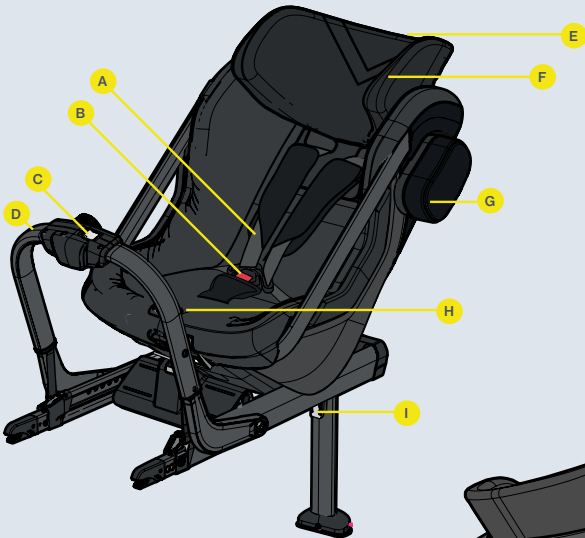
- Følg alltid instruksjonene i denne bruksanvisningen. Feilaktig montering kan få alvorlige følger for barnets sikkerhet. Er du usikker, ber vi deg kontakte forhandleren for å få en demonstrasjon av riktig montering.
- Du finner den nyeste versjonen av brukerhåndboken på [www.axkid.com/manuals](http://www.axkid.com/manuals).
- Ikke bruk AXKID ONE 3 i en seteplass der det er montert en aktiv kollisjonspute. Hvis du likevel ønsker å montere AXKID ONE 3 på denne plassen, må kollisjonsputen deaktiveres i henhold til kjøretøyprodusentens anvisninger.
- Hvis du blir utsatt for en ulykke, må bilstolen alltid skiftes ut uansett hvor alvorlig ulykken er. Den kan ha skader som ikke er synlige og som kan få alvorlige følger for barnets sikkerhet. Derfor anbefaler Axkid ikke å kjøpe brukte bilstoler.
- Hvis bilstolen AXKID ONE 3 har vært utsatt for direkte sollys, må du kontrollere at den ikke er varm før du setter barnet i stolen.
- Gå aldri fra barnet uten tilsyn i kjøretøyet.
- Sørg for at bagasje eller løse gjenstander er sikret i kjøretøyet, da de kan skade passasjerer i en eventuell ulykke.
- Sørg for at AXKID ONE 3 blir montert slik at ingen deler kan sette seg fast i regulerbare seter, bildører og lignende.
- Bilstolen AXKID ONE 3 kan bare monteres bakovervendt.
- Sørg alltid for at selen justeres slik at den passer til barnets kropp. Selen justeres ved å flytte hodestøtten.
- Sørg for at barnets rygg skyves mot bilstolen når du spenner fast barnet med selen.
- Sørg alltid for at selen er godt strammet mot barnet og at spennen er helt låst. Det skal ikke være mulig å klemme stroppene sammen.
- Sørg for at selen ikke er vridd.
- Sørg alltid for at støttebeinet står i riktig posisjon og har kontakt med gulvet i kjøretøyet. Kontroller at indikatoren øverst på støttebeinet er grønn og at du ikke hører noen pipelyd fra foten av støttebeinet.
- Ikke forsøk å demontere eller modifisere noen deler av bilstolen AXKID ONE 3. Det kan påvirke garantien og sikkerheten til bilstolen AXKID ONE 3.
- Bruk aldri AXKID ONE 3 uten stolens tekstiltrekk. Tekstiltrekket er en sikkerhetsfunksjon og må bare skiftes ut med et originalt tekstiltrekk fra Axkid.
- I kjøretøyet instruksjonsbok kan du lese hvilke seteplasser denne bilstolen egner seg for.
- Axkid anbefaler at du alltid bruker en setebeskyttelse for å beskytte setet i kjøretøyet mot riper og smuss.
- Er du usikker, ber vi deg kontakte forhandleren der bilstolen ble kjøpt, eller kontakte [info@axkid.com](mailto:info@axkid.com)

# Innholdsfortegnelse

Deler	84
Tillatt og forbudt plassering av bilstolen AXKID ONE 3	
Montere bilstolen AXKID ONE 3 i kjøretøyet	86
Spenne barnet fast i bilstolen AXKID ONE 3	87
Justeringer av stolen	88
Justere bilstolen AXKID ONE 3	89
Ta bilstolen AXKID ONE 3 ut av kjøretøyet	89
Vedlikehold	90
Garanti	90
	91

NO

# Deler



skulderstropper (A)	justeringsknapper for hodestøtte (M)
frigjøringsknapp for spenne (B)	justeringsknapp for benplass (N)
frigjøringsknapp for fremre skinne (C)	bakre håndtak (O)
fremre skinne (D)	posisjonsindikator for støttebein (P)
hodestøtte (E)	frigjøringsstropp for støttebein (Q)
øyenivåindikatorer (F)	støttebein (R)
ASIP-pute (G)	lydindikator (S)
justeringsknott for ryggvinkel (H)	frigjøringsknapp for sele (T)
støttebeinsknapp (I)	strammestropp til sele (U)
ASIP-kobling (J)	låseindikatorer for ISOFIX (V)
knott til fremre skinne (K)	ISOFIX-knapper (X)
sidedeksel (L)	ISOFIX-koblinger (Y)

# Tillatt og forbudt plassering av bilstolen AXKID ONE 3

Bilstolen AXKID ONE 3 kan bare monteres bakovervendt ved hjelp av ISOFIX. Den er godkjent for bruk i alle i-Size-godkjente seter, men kan også passe i andre ISOFIX-seter som ikke er i-Size-godkjent. Sjekk kjøretøyets instruksjonsbok for å finne egnede seteplasser, og sjekk kjøretøylisten på [www.axkid.com](http://www.axkid.com).

Passasjersete foran med ISOFIX (uten aktiv kollisjonspute)	JA/NEJ*
Passasjersete foran med ISOFIX (med aktiv kollisjonspute)	NEJ
Passasjersete bak med ISOFIX	JA
Side- og bakovervendte seter med ISOFIX	NEJ
Seter uten ISOFIX	NEJ



**VIKTIG:** Hvis du ønsker å montere bilstolen AXKID ONE 3 et sted der det er montert frontkollisjonspute, må kollisjonsputen kobles fra i henhold til kjøretøyproduzentens anvisninger. Merk at noen kjøretøy krever at et autorisert servicesenter kobler fra kollisjonsputen.

\* Paragraf 117 i den generelle trafikkforskriften i Spania fastslår at det er forbudt å kjøre med barn med en kroppshøyde under 135 centimeter i kjøretøyets forseter, og dette gjelder uten unntak



Monter aldri en bilstol i et passasjersete der det er en aktiv kollisjonspute.





# Montere bilstolen AXKID ONE 3 i kjøretøyet

1

Før AXKID ONE 3 monteres i kjøretøyet skal bilstolens størrelse minimeres ved å trykke på legroom adjustment button (N) og skyve setet mot front brace (D). Slå ned support-leg (R) til du hører et klikk og support-leg position indicator (P) blir grønn.

2

Trykk på front brace release button (C) og fell front brace (D) mot setet. Fortsett å holde front brace (D) inne med den ene hånden, ta tak i back handle (O) med den andre hånden og løft bilstolen AXKID ONE 3 inn i kjøretøyet med front brace (D) først, og drei den deretter til bakovervendt stilling.

3

Trykk ISOFIX connectors (Y) inn i ISOFIX-tilkoblingspunktene i kjøretøyet til du hører et klikk og begge ISOFIX locking indicators (V) blir grønne.

4

Slipp front brace (D), som vil begynne å stramme seg mot setet i kjøretøyet. Når den stopper, dreier du front brace knob (K) med klokken til du kjenner og hører et klikk. front brace (D) skal nå trykkes bestemt mot setet i kjøretøyet. front brace knob (K) har en innebygd momentbegrenser, og klikket indikerer at front brace (D) er korrekt strammet og ikke kan strammes mer.

5

Trykk support-leg button (I) og trekk support-leg (R) nedover til det kommer i kontakt med gulvet i kjøretøyet. Slipp support-leg button (I) og løft bilstolen oppover for å forlenge support-leg (R) ytterligere til du hører et klikk. support-leg (R) skal nå låses og trykkes bestemt mot gulvet i kjøretøyet. Merk: Bilstolen AXKID ONE 3 er utstyrt med en pipende sound indicator (S) som vil fortsette å pipe til support-leg (R) er trykket bestemt mot gulvet og angir at monteringen er korrekt utført.

6

Trykk ASIP pad (G) inn i sporene på ASIP connector (J) og skyv nedover, ASIP pad (G) smetter på plass med et klikk. Hvis det er et plastdeksel på ASIP connector (J), må du fjerne det og plassere det på ASIP connector (J) på motsatt side av stolen før du monterer ASIP pad (G). Kontroller at ASIP pad (G) er festet på den siden av AXKID ONE 3 som er nærmest døren på kjøretøyet.

NO



# Spenne barnet fast i bilstolen AXKID ONE 3

Før du spenner barnet fast i bilstolen AXKID ONE 3 må du kontrollere at de korrekte innleggene er montert i stolen. AXKID ONE 3 er konstruert med tanke på å vokse med barnet og sørge for at alle barn sitter behagelig og sikkert. Axkid anbefaler å bruke det relevante innlegget til det blir for stramt for barnet, men inntil en minimumslengde i henhold til tabellen nedenfor (merk at alderen bare er en indikasjon):

Alder	Høyde	
Spedbarn 0–6 måneder (Bare AXKID ONE+3)	0 – 60 cm	
Smårolling 0–3 år	61 – 105 cm	
Barn 3–7 år	105 – 125 cm	

7

Løsne selen ved å trykke på harness frigjøringsknapp for sele (T) og trekke begge skulderstropper (A) ut samtidig. Unngå å trekke i bare én stropp av gangen, da det kan gjøre at skulderstropper (A) blir ujevne.

8

Lås opp spennen ved å trykke på frigjøringsknapp for spenne (B) og plasser stroppene utenfor stolen.

9

Plasser barnet i stolen, og legg skulderstropper (A) over barnets skulder. Lås selen ved først å plassere delene av spennen som er festet til skulderstropper (A) sammen og deretter trykke dem inn i spennen til du hører et klikk.

10

Juster hodestøtte (E) til øyenivåindikatorer (F) er på linje med barnets øyne ved å trykke på begge justeringsknapper for hodestøtte (M) og skyve hodestøtten oppover eller nedover.

Merk: øyenivåindikatorer (F) skal ikke brukes sammen med spedbarnsinnlegget (bare AXKID ONE+3). Når du bruker AXKID ONE+3 for spedbarn, må du alltid kontrollere at hodestøtten står i laveste stilling.

11

Kontroller at skulderstropper (A) går gjennom stolen rett fra barnets skuldre eller maksimalt 1 cm over. Du må kanskje justere hodestøtte (E) på nytt selv om øyenivåindikatoren da ikke lenger er på linje med barnets øyne. Trekk i skulderstropper (A) for å stramme selen over barnets hofter. Mens skulderstropper (A) holdes stramme trekker du i strammestropp til sele (U) til selen er tilstrekkelig stram. Du skal ikke få plass til mer enn én finger mellom skulderstropper (A) og barnets skuldre.





# Justeringer av stolen

Etter at bilstolen AXKID ONE 3 er montert i kjøretøyet, er det enkelt å justere både benplass og ryggvinkel for barnet. Dette kan også gjøres mens barnet er spent fast i bilstolen.

For å sikre en god passform i alle biler og beskytte barnet best mulig anbefaler Axkid sterkt at du benytter posisjonene som er merket på siden av bilstolen. Etter hvert som barnet vokser, er det viktig å justere ryggvinkelen til en mer opprett stilling for å gi best mulig beskyttelse for barnets nakke i tilfelle en ulykke.

Størrelsesangivelsen er basert på barnets lengde. Kontroller at begge pilene peker på riktig sone.

Alder	Høyde	
Spedbarn 0–6 måneder (Bare AXKID ONE+3)	Maks. tilbaketilt Korteste benplass	<b>0-60 cm</b> 
Småroling 0–3 år	Alle ryggvinkler Flere stillinger for benplass	<b>61-105 cm</b> 
Barn 3–7 år	Maksimal opprett stilling Mest benplass	<b>106-125 cm</b> 

NO

## Justere bilstolen AXKID ONE 3

- Benplassen justeres ved å trykke på justeringsknappen for benplass (N) og skyve stolen forover eller bakover. For å unngå at AXKID ONE 3 sklir forover ved et uhell, tar du tak i det bakre håndtaket (O) og trekker den forsiktig bakover før du slipper justeringsknappen for benplass (N).
- Bilstolens ryggvinkel kan justeres ved å dreie på justeringsknotten for ryggvinkel (H).



# Ta bilstolen AXKID ONE 3 ut av kjøretøyet

- Trykk på støttebeinsknappen (I) og slå sammen støttebeinet (R) til korteste posisjon.
- Skyv på frigjøringsknappen for fremre skinne (C) og fold den fremre skinnen (D) mot stolen for å løsne trykket mot setet i kjøretøyet.
- Koble fra ISOFIX-koblingene (Y) ved å trykke ISOFIX-knappene (X) ned og deretter skyve dem bakover og vekk fra setet i kjøretøyet.
- Fortsett å holde den fremre skinnen (D) med den ene hånden, ta tak i det bakre håndtaket (O) med den andre hånden og løft bilstolen AXKID ONE 3 ut av kjøretøyet.
- Legg sammen støttebeinet (R) ved å trekke i frigjøringsstroppen for støttebeinet (Q) og felle støttebeinet (R) oppover.

## Vedlikehold

- Tekstiltrekket til bilstolen kan vaskes i maskin ved 30° C på et skånsomt program. Trekket må ikke tørkes i tørketrommel. Det kan skade trekket og gjøre at polstringen løsner fra stoffet. På [www.axkid.com](http://www.axkid.com) finner du filmer som viser hvordan trekket skal tas av og settes på igjen.
- Tekstiltrekket fjernes fra bilstolen ved å trekke sidedekselet (L) utover og løsne maljen på tekstilet. Åpne knappene på ryggstøtten og ta trekket forsiktig av stolen. Åpne glidelåsene på ryggstøtten og ta trekket forsiktig av stolen. Merk deg hvordan det er festet rundt stolen for å gjøre det enklere å sette på igjen. Når du setter på sidedekselet (L) igjen, stikker du det under aluminiumsrammen og bare trykker det tilbake i hurtigfestet. Trekket til hodestøtten fjernes ved å åpne glidelåsene og knappene nederst på hodestøtten og det polstrede bakdekselet og ta trekket forsiktig av.
- Hvis trekket må byttes, må du bare bruke originale produkter fra Axkid. Bruk av andre produkter kan gjøre at sikkerhetssystemet til AXKID ONE 3 ikke fungerer som det skal og forårsake alvorlige skader i en eventuell ulykke.
- Alle plastdelene til bilstolen AXKID ONE 3 kan rengjøres med mild såpe og vann. Ikke bruk kraftige kjemikalier som inneholder løsemidler eller lignende, da det kan skade platen og gjøre bilstolen mindre sikker.
- Alle materialer som er brukt i bilstolen AXKID ONE 3, er resirkulerbare og skal resirkuleres i henhold til lokale forskrifter. Kontakt nærmeste miljøstasjon for å få råd om resirkulering av produktet.
- Lydindikatoren (S) inneholder et utskiftbart CR1632-batteri. Ta ut batteriet og resirkuler det i henhold til lokale forskrifter når bilstolen AXKID ONE 3 ikke skal brukes mer. Skru ut de to skruene nederst på støttebeinet (R) og fjern dekslet for å få tilgang til batteriet.
- Ikke foreta andre endringer på eller modifikasjoner av bilstolen AXKID ONE 3 enn dem som er beskrevet i denne brukerhåndboken.
- Eventuelle reparasjoner skal utføres av produsenten eller forhandleren.

# Garanti

Bilstolen AXKID ONE 3 leveres med 2 års garanti fra kjøpsdatoen. Ta vare på kvitteringen, og ta den med til stedet der bilstolen er kjøpt ved en eventuell reklamasjon.

Garantien dekker ikke:

- Normal slitasje
- Skader som skyldes feil bruk, forsømmelser eller ulykker
- Reparasjoner som er utført av tredjepart
- Alle materialer som er brukt, er meget UV-bestandige. Men UV-lys er svært aggressivt, og vil til slutt føre til at setetrekket falmer. Dette dekkes ikke av garantien, ettersom det regnes som normal slitasje.
- Hånder setet forsiktig. Vær oppmerksom på at nettingstoffet på baksiden lett kan skrapes opp, og andre skader enn fabrikkskader på nettingen dekkes ikke av garantien.

## Resirkulering av bilsetet ditt



Axkid anbefaler på det sterkeste resirkulering av gamle bilseter. Før du forlater setet på din lokale gjenvinningsstasjon, klipp av selebåndene fra setet, fjern tekstiltrekket, fjern så mange isopordeler som mulig, separer metall- og plastdeler hvis mulig. Hoveddelen av setet bør merkes som usikker eller utløpt (bruk en markør) for å avskrekke noen fra å bruke den igjen. Vennligst sjekk dine lokale kommunale retningslinjer for resirkuleringsinstruksjoner for de forskjellige materialene.

NO

# Tak, fordi du har valgt AXKID ONE 3

Læs denne vejledning, før du installerer AXKID ONE 3-autostolen i bilen. Du kan finde flere oplysninger og installationsvideoer på [www.axkid.com](http://www.axkid.com).

**AXKID ONE 3**-autostolen er en bagudvendt autostol, der er godkendt til børn med en højde på 61-125 cm og med en vægt på op til 23 kg.

**AXKID ONE+ 3** autostolen er en bagudvendt autostol, der er godkendt til børn med en højde på 40-125 cm og med en vægt på op til 23 kg.

Dette er en i-Size forbedret barnefastholdelsesanordning. Den er UN R129-godkendt brug i biler med i-Size-kompatible siddepladser som angivet af bilproducenter i bilens vejledning. Hvis du er i tvivl, kan du kontakte producenten af den forbedrede barnefastholdelsesanordning ([www.axkid.com](http://www.axkid.com)) eller forhandleren.

## Vigtige oplysninger

Vær opmærksom på følgende af hensyn til barnets sikkerhed:

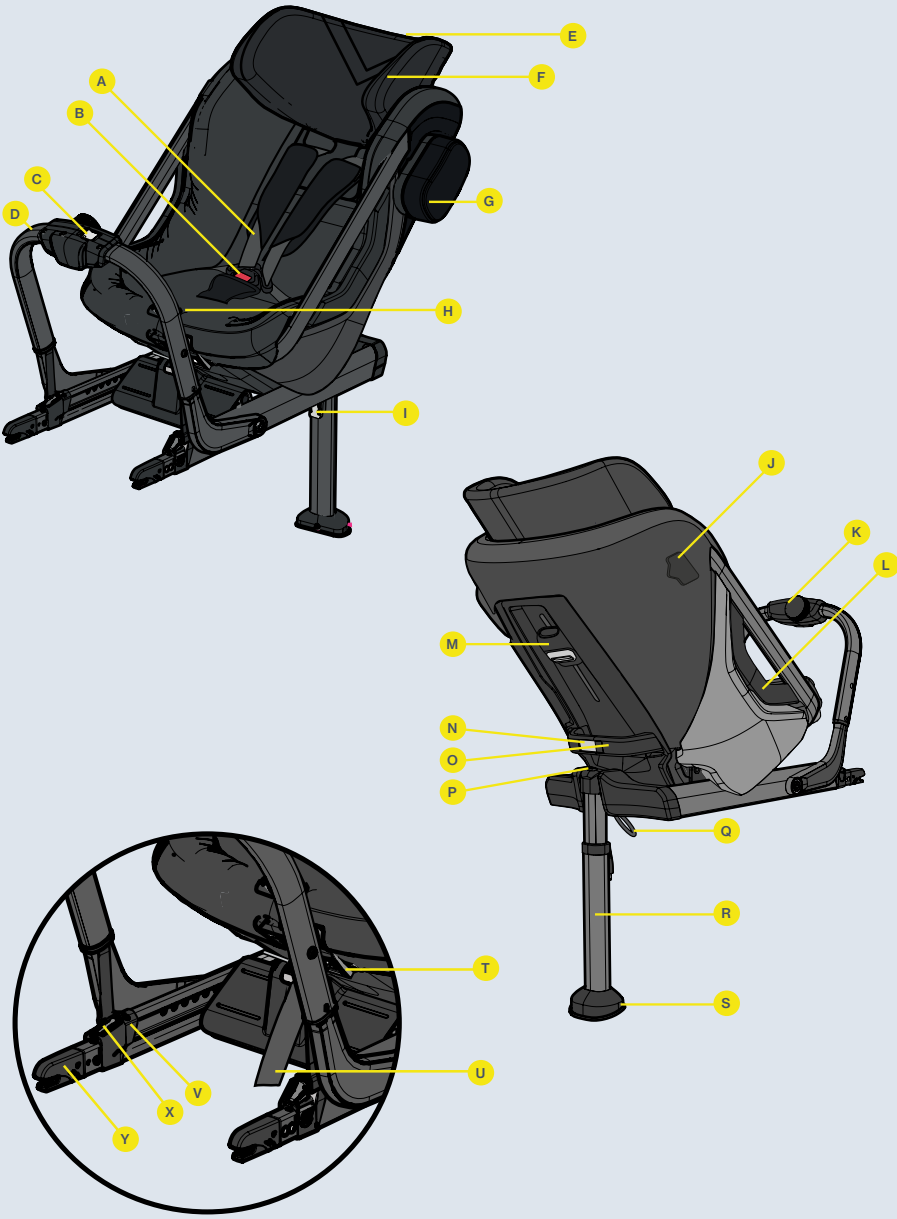
- Følg altid instruktionerne i denne vejledning. Forkert installation kan have alvorlige konsekvenser for dit barns sikkerhed. Hvis du er i tvivl, skal du kontakte forhandleren, som kan vise, hvordan du foretager korrekt installation.
- Du kan finde den seneste version af brugervejledningen på [www.axkid.com/manuals](http://www.axkid.com/manuals).
- AXKID ONE 3-autostolen må ikke bruges på en siddeplads, hvor der er monteret en aktiv frontairbag. Hvis du stadig ønsker at installere AXKID ONE 3-autostolen på denne placering, skal airbaggen frakobles i henhold til bilproducentens anvisninger.
- Hvis du skulle ske komme ud for en ulykke, skal autostolen altid udskiftes, uanset hvor alvorlig ulykken er. Der kan opstå ikke-synlige skader, som kan have alvorlige konsekvenser for dit barns sikkerhed. Derfor anbefaler Axkid ikke at købe brugte autostole.
- Hvis AXKID ONE 3-autostolen har været udsat for direkte sollys, skal du sørge for, at autostolen ikke er for varm, før du sætter dit barn på plads.
- Efterlad aldrig dit barn i køretøjet uden opsyn.
- Sørg for, at bagage eller løse genstande er sikret i bilen, da de kan forårsage personskade i tilfælde af en ulykke.
- Sørg for, at AXKID ONE 3-autostolen er monteret, så ingen dele kommer til at hænge fast i bevægelige sæder, bildøre osv.
- AXKID ONE 3-autostol må kun monteres bagudvendt.
- Sørg altid for, at selen er justeret, så den passer korrekt til barnets krop. Selen justeres ved at flytte hovedstøtten.
- Sørg for, at barnets ryg skubbes mod autostolen, når barnet fastholdes med selen.
- Selen skal altid sidde stramt ind mod barnet, og spændet skal være helt låst. Det bør ikke være muligt at trække ud i stropperne.
- Sørg for, at selen ikke er snoet.
- Støttebenet skal altid være i den korrekte position og have kontakt til bilens gulv. Kontroller, at indikatoren foroven på støttebenet er grøn, og at du ikke kan høre nogen biplyd fra støttebenet.
- Forsøg ikke at demontere eller ændre nogen dele af AXKID ONE 3-autostolen. Det kan påvirke både garantien og AXKID ONE 3-autostolens sikkerhed.
- Brug aldrig AXKID ONE 3-autostolen uden stolens tekstilbetræk. Stolens tekstilbetræk er en sikkerhedsforanstaltning og må kun udskiftes med et originalt Axkid-tekstilbetræk.
- Læs vejledningen til bilen for at finde ud af, hvilke siddepladser der er egnede til denne autostol.
- Axkid anbefaler altid at bruge sædebeskyttelse for at beskytte bilsædet mod skrammer og snavs.
- Hvis du er i tvivl, kan du kontakte den forhandler, hvor autostolen er købt, eller kontakte [info@axkid.com](mailto:info@axkid.com)

# Indholdsfortegnelse

Dele	94
Tilladt og ikke-tilladt placering af AXKID ONE 3-autostolen	96
Installation af AXKID ONE 3-autostolen i bilen	97
Fastholdelse af barnet i AXKID ONE 3-autostolen	98
Justering af stolen	99
Justering af AXKID ONE 3-autostolen	99
Fjernelse af AXKID ONE 3-autostolen fra bilen	100
Pleje og vedligeholdelse	100
Garanti	101

DA

# Dele



skulderstropper (A)	knapper til justering af hovedstøtte (M)
knap til åbning af spænde (B)	knap til justering af benplads (N)
knap til frigørelse af den forreste skinne (C)	bagerste håndtag (O)
forreste skinne (D)	indikator for støttebensposition (P)
hovedstøtte (E)	strop til frigørelse af støtteben (Q)
øjnehøjdeindikatorer (F)	støtteben (R)
ASIP-pude (G)	lydindikator (S)
greb til justering af hældningsposition (H)	seleudløserknap (T)
knap til støtteben (I)	strop til stramning af sele (U)
ASIP-beslag (J)	ISOFIX-låseindikatorer (V)
greb til forreste skinne (K)	ISOFIX-knapper (X)
sidebetræk (L)	ISOFIX-beslag (Y)

# Tilladt og ikke-tilladt placering af AXKID ONE 3-autostolen

AXKID ONE 3-autostolen må kun monteres bagudvendt vha. ISOFIX. Den er godkendt til brug på alle i-Size-godkendte siddepladser, men passer muligvis også til andre ISOFIX-siddepladser, der ikke er i-Size-godkendte. Se vejledningen til bilen for at finde passende siddepladser, og tjek køretøjslisten på [www.axkid.com](http://www.axkid.com).

Forsæde med ISOFIX (uden aktiv airbag)	JA/NEJ*
Forsæde med ISOFIX (aktiv airbag)	NEJ
Bagsæde med ISOFIX	JA
Sidesæde og bagudvendte sæder med ISOFIX	NEJ
Sæder uden ISOFIX	NEJ



**VIGTIGT:** Hvis du ønsker at installere AXKID ONE 3-autostolen på et sted, hvor der er monteret en frontairbag, skal airbaggen frakobles i henhold til bilproducentens anvisninger. Bemærk, at nogle køretøjer kræver, at et autoriseret servicecenter frakobler airbaggen.

\* De generelle trafikbestemmelser i Spanien fastslår i artikel 117, at det uden undtagelse er forbudt at køre med børn med en højde på 135 cm eller mindre siddende på køretøjets forsæder.



Anbring aldrig en barnefastholdelsesanordning på et passagersæde, hvor der er monteret en aktiv airbag.







# Installation af AXKID ONE 3-autostolen i bilen

1

Før AXKID ONE 3-autostolen installeres i bilen, skal du minimere størrelsen ved at løsne knap til justering af benplads (N) og skubbe sædet mod forreste skinne (D). Fold støtteben (R) ned, indtil der lyder et klik, og indikator for støttebensposition (P) bliver grøn.

2

Løsn knap til frigørelse af den forreste skinne (C), og fold forreste skinne (D) frem mod sædet. Hold i forreste skinne (D) med den ene hånd, tag fat i bagerste håndtag (O) med den anden hånd, og løft AXKID ONE 3-autostolen ind i bilen med forreste skinne (D) først, og vend den derefter til bagudvendt position.

3

Tryk ISOFIX-låseindikatorer (V) ind i ISOFIX-forbindelsespunkterne i bilen, indtil der lyder et klik, og begge ISOFIX-låseindikatorer (V) bliver grønne.

4

Slip forreste skinne (D), som derefter begynder at blive spændt mod bilsædet. Når den stopper, skal du dreje greb til forreste skinne (K) med uret, indtil du kan mærke og høre et klik. forreste skinne (D) bør nu være presset hårdt mod bilsædet. greb til forreste skinne (K) har en indbygget momentbegrænser, og klikket indikerer, at forreste skinne (D) er strammet korrekt og ikke kan strammes mere.

5

Tryk på knap til støtteben (I), og træk støtteben (R) nedad, indtil det er i kontakt med bilens gulv. Slip knap til støtteben (I), og løft autostolen opad for at forlænge støtteben (R) yderligere, indtil der lyder et klik. støtteben (R) bør nu være låst og presset hårdt mod bilens gulv. Bemærk: AXKID ONE 3-autostolen er udstyret med en bippende lydindikator (S), der bliver ved med at bippe, indtil støtteben (R) er solidt presset mod gulvet, hvilket indikerer korrekt installation.

6

Tryk ASIP-pude (G) ind i rillerne på ASIP-beslag (J), og skub nedad. ASIP-pude (G) klikker på plads. Hvis der sidder et plastdæksel på ASIP-beslag (J), skal du fjerne det og placere det på ASIP-beslag (J) på den modsatte side af sædet, før du monterer ASIP-pude (G). Sørg for, at ASIP-pude (G) er fastgjort på den side af AXKID ONE 3-autostolen, der er tættest på bildøren.

DA



# Fastholdelse af barnet i AXKID ONE 3-autostolen

Før du placerer barnet i AXKID ONE 3-autostolen, skal du sikre, at de korrekte indlæg er monteret i stolen. AXKID ONE 3 er designet til at vokse sammen med dit barn og sikre en behagelig og sikker pasform for alle børn. Axkid anbefaler at bruge det relevante indlæg, indtil det er for stramt for barnet, men ud fra en minimumhøjde i henhold til tabellen nedenfor (bemærk, at alderen blot er vejledende):

Alder	Højde	
Spædbarn 0-6 måneder (kun AXKID ONE+3)	0 – 60 cm	
Småbarn 0-3 år	61 – 105 cm	
Barn 3-7 år	105 – 125 cm	

7

Løsn selen ved at trykke på seleudløserknap (T) og samtidig trække ud i begge skulderstropper (A). Undgå kun at trække i én sele ad gangen, da det kan medføre, at skulderstropper (A) bliver ujævne.

8

Lås spændet op ved at trykke på knap til åbning af spænde (B), og placer stropperne uden for stolen.

9

Anbring barnet i stolen, og anbring skulderstropper (A) over barnets skulder. Lås selen ved først at samle de dele af spændet, der er fastgjort til skulderstropper (A), og derefter skubbe dem ind i spændet, indtil der lyder et klik.

10

Juster hovedstøtte (E), indtil øjenhøjdeindikatorer (F) er ud for barnets øjne, ved at trykke på begge knapper til justering af hovedstøtte (M) og skubbe opad eller nedad.

Bemærk: øjenhøjdeindikatorer (F) må ikke anvendes ved brug af spædbarnsindlæg (kun AXKID ONE+3). Ved brug af AXKID ONE+3 til spædbørn skal det altid sikres, at hovedstøtten er i den laveste position.

11

Kontroller, at skulderstropper (A) går gennem stolen direkte fra dit barns skuldre eller højst 1 cm over. Det kan være nødvendigt at justere hovedstøtte (E) igen, selvom det betyder, at øjenhøjdeindikatoren ikke passer med dit barns øjne. Træk nu i skulderstropper (A) for at stramme selen over barnets hofter. Mens skulderstropper (A) stadig er strammet, skal du trække i strop til stramning af sele (U), indtil selen er strammet tilstrækkeligt. Du bør ikke kunne få mere end én finger ind mellem skulderstropper (A) og barnets skuldre.



# Justering af stolen

Når AXKID ONE 3-autostolen er installeret i bilen, kan du nemt justere både benplads og hældningsposition for dit barn. Dette kan også gøres, mens barnet sidder i autostolen.

For at sikre en god pasform i alle biler og give dit barn den bedste beskyttelse anbefaler Axkid på det kraftigste, at du bruger de faste positioner, der er markeret på siden af autostolen. Efterhånden som dit barn vokser, er det vigtigt at justere hældningen til en mere oprejst position, så barnets hals beskyttes bedst muligt i tilfælde af en ulykke.

Størrelsesindikationen er baseret på barnets højde. Sørg for, at begge pile peger på den korrekte zone.

Alder	Højde	
Spædbarn 0-6 måneder (kun AXKID ONE+3)	Maksimal hældning Korteste benplads	<b>0-60 cm</b> 
Småbarn 0-3 år	Alle hældningspositioner Flere benpladspositioner	<b>61-105 cm</b> 
Barn 3-7 år	Maksimal oprejst position Mest benplads	<b>106-125 cm</b> 

DA

# Justering af AXKID ONE 3-autostolen

- Benpladsen justeres ved at løsne knappen til justering af benplads og skubbe stolen frem eller tilbage. For at undgå, at AXKID ONE 3 ved et uheld glider fremad, skal du tage fat i det bagerste håndtag (O) og forsigtigt trække bagud, før du løsner knappen til justering af benplads (N).
- Autostolens hældningsposition kan justeres ved at dreje grebet til justering af hældningsposition (H).



# Fjernelse af AXKID ONE 3-autostolen fra bilen

- Tryk på knappen til støttebenet (I), og slå støttebenet (R) sammen til den korteste position.
- Tryk på knappen til frigørelse af den forreste skinne, og fold den forreste skinne (D) ind mod stolen, så stolen ikke længere sidder i spænd mod bilsædet.
- Løsn ISOFIX-beslagene (Y) ved at trykke ned på ISOFIX-knapperne (X), og skub dem derefter bagud og væk fra bilsædet.
- Hold i den forreste skinne (D) med den ene hånd, tag fat i det bagerste håndtag (O) med den anden hånd, og løft AXKID ONE 3-autostolen ud af bilen.
- Fold støttebenet (R) op ved at trække i stropen til frigørelse af støttebenet (Q) og folde støttebenet (R) opad.

## Pleje og vedligeholdelse

- Stolens tekstilbetræk kan maskinvaskes ved 30 °C med et mildt vaskeprogram. Kom ikke betrækket i en tørretumbler, da det kan beskadige betrækket, og polstringen kan løsne sig fra stoffet. Besøg [www.axkid.com](http://www.axkid.com) for at finde videoer, der forklarer, hvordan du tager betrækket af og sætter det på igen.
- Tekstilbetrækket tages af stolen ved at trække udad i sidebetrækket (L) og hægte snøringen af. Knap knapperne på ryglænet op, og tag forsigtigt betrækket af stolen. Lyn lynlåsene på ryglænet op, og tag forsigtigt betrækket af stolen. Læg mærke til, hvordan det er fastgjort på stolen, så det er nemmere at sætte det på igen. Når sidebetrækket (L) sættes på igen, skal du føre det ind under aluminiumsrammen og blot trykke det tilbage ind i fastgørelsestilbehøret. Du kan fjerne hovedstøttens betræk ved at lyne lynlåsene forned på hovedstøtten og rygpolstringen op, knappe knapperne samme sted op og forsigtigt fjerne betrækket.
- Hvis stolens betræk skal udskiftes, må der kun anvendes originale produkter fra Axkid. Hvis der bruges andre produkter, kan det forringe AXKID ONE 3-autostolens sikkerhedssystem og medføre alvorlig personskade i tilfælde af en ulykke.
- Alle plastdele på AXKID ONE 3-autostolen kan rengøres med mildt rengøringsmiddel og vand. Brug ikke aggressive kemikalier, der indeholder opløsningsmidler eller lignende, da det kan beskadige platen og betyde, at autostolen ikke er sikker.
- Alle materialer, der anvendes i AXKID ONE 3-autostolen, kan genbruges og skal genbruges i henhold til den lokale lovgivning. Spørg din lokale genbrugsplads til råds angående genbrug af dette produkt.
- Lydindikatoren indeholder et udskifteligt CR1632-batteri. Fjern og genbrug batteriet i henhold til den lokale lovgivning, når AXKID ONE 3-autostolen ikke længere skal bruges. Løsn de to skruer forned på støttebenet (R), og fjern dækslet for at få adgang til batteriet.
- Foretag ingen ændringer af AXKID ONE 3-autostolen ud over dem, der er beskrevet i denne vejledning.
- Eventuelle reparationer skal udføres af producenten eller forhandleren.

# Garanti

AXKID ONE 3-autostolen er dækket af 24 måneders garanti fra købsdatoen. Sørg for at gemme din kvittering og medbringe den til købsstedet, hvis du har garantiproblemer.

Garantien dækker ikke:

- Normal slitage.
- Skader som følge af forkert brug, forsømmelse eller ulykker.
- Hvis reparationer er udført af en tredjepart.
- Alle anvendte materialer har en meget høj UV-bestandighed. UV-lys er dog meget aggressivt og vil i sidste ende medføre, at stolens betræk falmer. Dette er ikke dækket af vores garanti, da det betragtes som normal slitage.
- Håndter stolen forsigtigt. Bemærk, at netstoffet bagpå let bliver skrammet, og at skader ud over defekt netstof fra fabrikkens side ikke er dækket af garantien.

## Genbrug af din autostol



Axkid anbefaler kraftigt genbrug af gamle autostole. Inden du forlader sædet på din lokale genbrugsstation, skal du skære selebåndene af sædet, fjerne tekstilovertrækket, fjerne så mange styrofoamdele som muligt, om muligt adskille metal- og plastdele. Hoveddelen af sædet skal markeres som usikker eller udløbet (brug en markør) for at afskrække nogen fra at bruge den igen. Se venligst din lokale kommunale retningslinjer for genbrugsinstruktioner for de forskellige materialer.

# Kiitos, että valitsit AXKID ONE 3 lapsen turvaistuimen

Lue huolellisesti tämä käyttöohje ennen kuin otat istuimen käyttöön. Osoitteesta [www.axkid.com](http://www.axkid.com) löydät enemmän informaatiota istuimen asennuksesta.

**AXKID ONE 3** turvaistuin on hyväksytty käytettäväksi selkämienosuuntaan lapsille joiden pituus on 61-125 cm ja enimmäispaino 23 kg

**AXKID ONE+ 3** One turvaistuin on hyväksytty käytettäväksi selkämienosuuntaan lapsille joiden pituus on 40-125 cm ja enimmäispaino 23 kg

Tämä on i-Size hyväksytty lasten turvaistuin. Turvaistuin on hyväksytty standardin EN 129 mukaan käytettäväksi i-size yhteensopivilla auton istuinpaikoilla ajoneuvon valmistajan ohjeiden mukaisesti. Epävarmoissa tilanteissa ole yhteydessä joko turvaistuimen valmistajaan tai jälleenmyyjään.

## Tärkeää tietoa

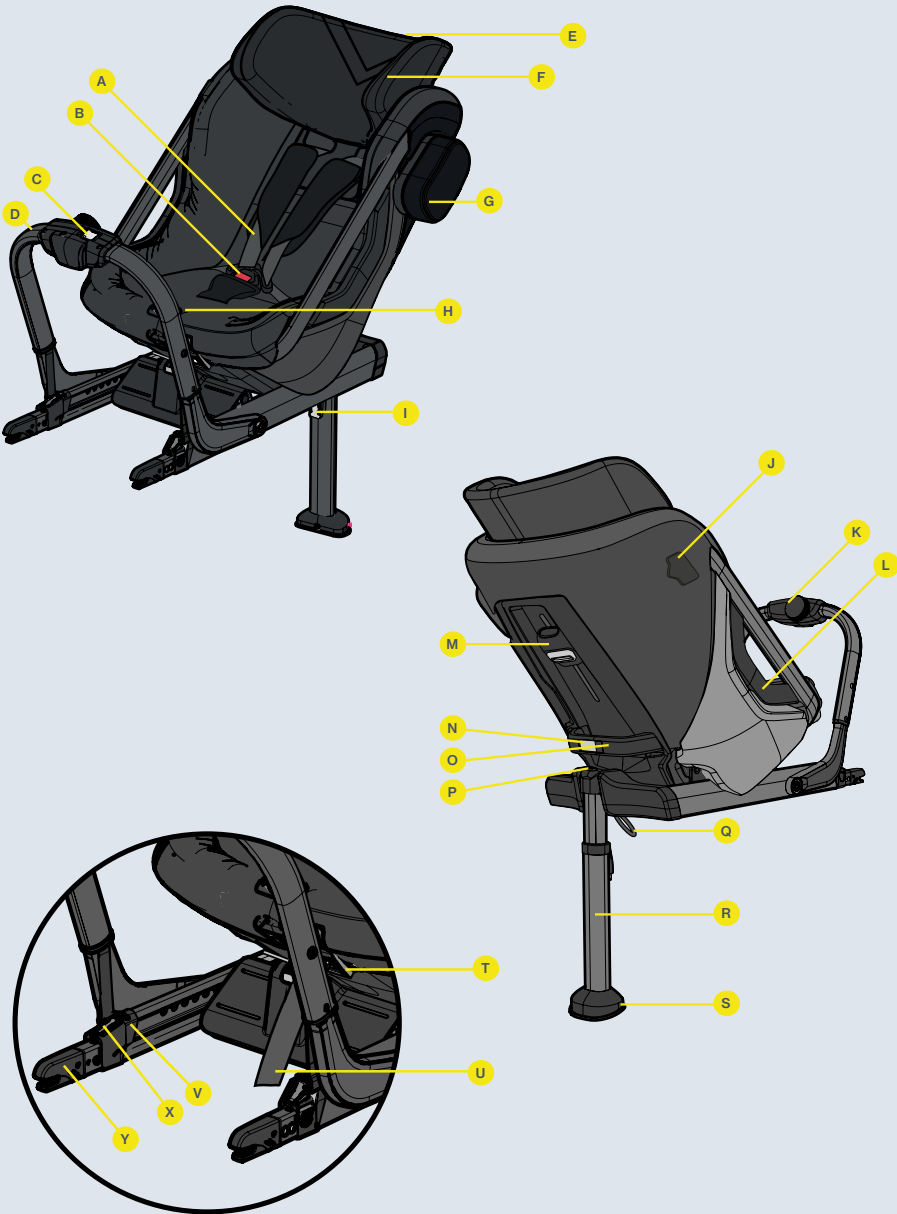
Varmistaaksesi lapsen turvallisuuden, pidä seuraavat asiat mielessä:

- Noudata aina tämän käyttöohjeen ohjeita. Istuimen vääränlainen asennus voi oleellisesti heikentää lapsesi turvallisuutta.
- Käyttöohjeen uusin versio on osoitteessa [www.axkid.com/manuals](http://www.axkid.com/manuals).
- Älä koskaan asenna AXKID ONE 3 turvaistuinta auton sellaiselle paikalle missä on aktiivinen etuturvatyyny. Jos kuitenkin päättää asentaa istuimen auton sellaiselle paikalle, jossa on etuturvatyyny, tulee tämä poistaa käytöstä valmistajan ohjeiden mukaisesti.
- Turvaistuin tulee aina poistaa käytöstä mahdollisen onnettomuuden jälkeen, vaikka kyseessä olisi ollut hyvinkin pieni kolari. Istuimen tarkastaminen mahdollisten piilevien vaurioiden osalta on mahdotonta ja tämän vuoksi tulee istuin uusia mahdollisen onnettomuuden jälkeen. Axkid ei suosittele käytetyn istuimen hankintaa.
- Jos turvaistuin on altistunut suoralle auringonvalolle, tarkista aina ennen käyttöä, ettei istuin ole liian kuuma lapselle.
- Älä koskaan jätä lasta autoon ilman aikuisen henkilön valvontaa.
- Tarkista aina ennen liikkeelle lähtöä, että autossa olevat esineet on asianmukaisesti pakattu. Irtoesineet voivat mahdollisen onnettomuuden sattuessa aiheuttaa matkustajille vahinkoa.
- Tarkista aina ennen käyttöä, että istuin on asennettu siten, ettei auton liikkuvat osat, kuten ovi, voi tarttua istuimeen.
- Axkid one turvaistuin voidaan asentaa ainoastaan selkämienosuuntaan.
- Tarkista aina ennen käyttöä, että istuimen vyöt on oikein asennettu lapselle. Olkavöiden korkeuden säätö tapahtuu säätämällä istuimen päätukea.
- Tarkista aina ennen kuin kiristät vyöt, että lapsen selkä on tukevasti turvaistuimen selkänöjää vasten.
- Tarkista aina, että istuimen vyöt on kunnolla kiristetty ja lapsi istuu tukevasti turvaistuimessa.
- Tarkista aina, että istuimen vyöt eivät ole kierteellä.
- Tarkista aina, että turvaistuimen tukijalka on tukevasti ajoneuvon lattiaa vasten. Tarkista, että tukijalan indikaattori on vihreänä eikä tukijalasta kuulu piippavaa ääntä.
- Älä koskaan tee turvaistuimen rakenteeseen muutoksia. Nämä saattavat vaikuttaa Äolennaisesti istuimen turvallisuuteen.
- Älä koskaan käytä AXKID ONE 3 turvaistuinta ilman istuinkangasta. Istuinkangas on olennainen osa istuimen turvallisuutta.
- Tarkista ajoneuvon käyttöohjeesta istuimelle paras asennuspaikka.
- Axkid suosittelee käytettäväksi penkin kurasuojaa turvaistuimen alla suojaamaan auton istuinta lialta ja kulumalta.
- Mahdollisissa ongelmatilanteissa pyydämme Teitä ottamaan yhteyttä istuimen jälleenmyyjään.

# Sisältö

Istuimen osat	104
Sallitut ja kielletyt paikat asentaa istuin autoon.	106
AXKID ONE 3 turvaistuimen asentaminen autoon	107
Lapsen kiinnittäminen turvaistuimeen	108
Turvaistuimen säädöt	109
Turvaistuimen säätäminen	109
Turvaistuimen irrottaminen autosta	110
Huolto ja kunnossapito	110
Takuu	111

# Osat





A. Olkavyöt
B. Haaralukko
C. Etutukiraudan vapautin
D. Etutukirauta
E. Päätuki
F. Silmien korkeuden indikaattori
G. ASIP sivutörmäyssuoja
H. Kallistuksen säätö
I. Takatukiraudan säätönappula
J. ASIP sivutörmäyssuoja kiinnike
K. Etutukiraudan säätöpyörä
L. Sivusuoja

M. Päätuen säätönappi
N. Jalkatuen säätönappi
O. Selkänojan kahva
P. Takatukijalan indikaattori
Q. Takatukijalan vapautusremmi
R. Takatukijalka
S. Ääni-indikaattori
T. Väiden vapautuspainike
U. Valjaiden kiristyshihna
V. ISOFIX lukituksen indikaattorit
X. ISOFIX painike
Y. ISOFIX kiinnike

# Sallitut ja kielletyt paikat asentaa istuin autoon.

AXKID ONE 3 turvaistuin voidaan asentaa autoon vain selkämenosuuntaan ISOFIX kiinnikkeillä. Turvaistuin on hyväksytty käytettäväksi kaikissa i-size hyväksytyillä auton istuimilla mutta se saattaa sopia myös muihin ei i-size hyväksytyille auton ISOFIX paikoille. Tarkista auton käyttöohjeesta istuimelle sopiva paikka autosta. Tarkista myös ajoneuvoluettelo meidän kotisivuilta osoitteesta [www.axkid.com](http://www.axkid.com)

Etuistuimelle kiinnitys ISOFIXillä (ei aktiivista eteturvatyynyä)	KYLLÄ/EI*
Etuistuimelle kiinnitys ISOFIXillä (aktiivinen eteturvatyyny)	EI
Takaistuimella kiinnitys ISOFIXILLÄ	KYLLÄ
Sivuttain ja selkämenosuuntaan asennetuilla istuimilla ISOFIX kiinnityksellä	EI
Ilman ISOFIX valmiutta olevalle istuimelle	EI



**TÄRKEÄÄ:** Jos tahdot asentaa AXKID ONE 3 istuimen auton sellaiselle paikalle, jossa on aktiivinen eteturvatyyny, Tulee eteturvatyyny ensiksi kytkeä pois käytöstä auton valmistaja ohjeen mukaisesti. Huomaa, että tietyissä tapauksissa tämän toimenpiteen tulee tehdä valtuutettu merkkihuolto.

\*Espanjan liikennesäännös artikla 117 kieltää kuljettamasta auton etuistuimella 135 cm tai lyhyempää lasta, ilman poikkeuksia.



Älä koskaan asenna lapsen turvaistuinta auton sellaiselle paikalle jossa on aktiivinen eteturvatyyny.





# AXKID ONE 3 turvaistuimen asentaminen autoon

1

Ennen istuimen asennusta autoon säädä turvaistuimen jalkatila minimiin vapauttamalla jalkatuen säätönappi (N) ja viemällä istuin mahdollisimman lähelle etutukirautaa (D). Taita tukirautaa (R) alas kunnes kuuluu "klikk"-ääni ja tukijalan indikaattori (P) muuttuu vihreäksi.

2

Vapauta etutukiraudan vapautin painike (C) ja taita etutukirautaa (D) istuinta vasten. Pidä toisella kädellä kiinni etutukiraudasta ja toisella istuimen selkänöjan takana olevasta kahvasta (O). Nosta istuin autoon etutukirautaa (D) edellä siten että istuin tulee selkämene suuntaan.

3

Työnnä turvaistuimen ISOFIX kiinnikkeet (Y) auton ISOFIX kiinnityskohtiin kunnes kuuluu "klikk"-ääni ja ISOFIXien väri-indikaattorit (V) muuttuvat vihreiksi havainnollistamaan istuimen oikeanlaisen kiinnityksen.

4

Päästä irti turvaistuimen etuturvakaaresta (D), joka alkaa kiristää itseään auton istuimen selkänöjaa vasten. Kun etuturvakaari on kiristynyt selkänöjaa vaste, kierrä etuturvakaaren säätöpyörä (K) myötäpäivään lukittuun asentoon. Etuturvakaaren pitäisi nyt olla lukittunut tukevasti auton selkänöjaa vasten. Etuturvakaaren säätöpyörässä on sisäänrakennettu vääntömomentin rajoitin, joka napsahtelemalla osoittaa, että etutuki (D) on kiristetty kunnolla eikä sitä voida kiristää enempää.

5

Paina takatukijalan painiketta (I) ja vedä takatukijalka (R) alas kunnes se on tukevasti auton lattiaa vasten. Päästä painike (I) ja nosta turvaistuinta vielä sen verran että takatukijalka (R) lukittuu ja "klikk"-ääni kuuluu. Takatukijalan pitäisi nyt olla lukittunut paikoilleen ja olla tukevasti auton lattiaa vasten. Huomaa: AXKID ONE 3 turvaistuin on varustettu piip-ääntä pitävällä ääni-indikaattorilla (S), joka pitää "piip"-ääntä kunnes tukijalka on asennettu tukevasti auton lattiaa vasten.

6

Työnnä ASIP sivusuoja (G) paikoilleen omaan kiinnikkeeseen (J) ja paina varovasti alaspäin. ASIP sivusuoja lukittu paikoilleen. Mikäli ASIP kiinnikkeessä (J) on muovinen suoja, irrota tämä ja kiinnitä istuimen toiselle puolelle. Tarkista, että ASIP sivusuoja on kiinnitetty auton oven puoleiselle puolelle autoa.



# Lapsen asettaminen AXKID ONE 3 turvaistuimeen

Ennen kuin nostat lapsen turvaistuimeen tarkista, että sinulla on istuimessa oikeat tyynyt ja pienentimet. AXKID ONE 3 suunniteltu kasvamaan lapsen mukana ja tarjoamaan mukavuutta ja turvallisuutta lapselle koko käyttööän. Axxid suosittelee, että asianmukaista pienennintä käytetään kunnes istuin käy lapselle liian ahtaaksi, mutta kuitenkin vähintään lapsen minimittaan alla olevan taulukon mukaisesti:

Ikä	Pituus	
Vauva 0-6kk (Vain AXKID ONE+ 3)	0 – 60 cm	
Lapsi 0-3 vuotta	61 – 105 cm	
Lapsi 3-7 Vuotta	105 – 125 cm	

7

Löysää lapsen vöitä painamalla vöiden vapautuspainiketta (T) samalla vetäen kumpaakin olkavyötä (A) ulos istuimen selkänajoista. Älä koskaan vedä vöitä ulos vain pitämällä kiinni toisesta olkavyöstä.

8

Avaa lapsen vöiden lukko painamalla vapautuspainiketta (B) ja nosta olkavyöt sivuun istuinosan ulkopuolelle.

9

Nosta lapsi istuimeen ja pujota olkavyöt (A) lapsen olkapäiden yli. Kiinnitä vyöt siten, että ensiksi liität yhteen olkavöiden soljet toisiinsa ja sitten pujotat nämä soljet yhteen sovitettuna haaralukkoon. Kuuluu "klikk"-ääni kun lukko lukittuu.

10

Säädä turvaistuimen päántuki (E) siten, että silmien korkeudensäädön indikaattori (F) on samalla tasolla lapsen silmien kanssa. Säädä päántukea painamalla päántuen säätönappeja (M) samalla säätäen päántuki halutulle tasolle. Huomaa: Silmien korkeuden indikaattoria (F) ei tule käyttää kun vauvapienennintä (vain AXKID ONE+ 3). Kun AXKID ONE+ 3 istuinta käytetään vauvapienennintällä tulee päántuki olla sen alimassa asennossa.

11

Tarkista aina, että olkavyöt (A) menevät linjassa tai enintään 1 cm olkapäitä korkeammalta turvaistuimen selkänajan läpi. Tarvittaessa säädä päántukea (E) vaikka silmien korkeuden indikaattori ei olisikaan aivan linjassa. Aloita vöiden kiristys vetämällä ensiksi olkavöistä (A) kiristääkseen vyöt lapsen lantion ympärille. Tämän jälkeen kiristä olkavyöt (A) lapselle vetämällä vöiden kiristyshihnasta (U). Kiristä vyöt siten, että olkavyön (A) ja lapsen olkapäiden väliin ei mahdu enempää kuin yksi sormi.



# Turvaistuimen säädöt

Kun AXKID ONE 3 turvaistuin on asennettu autoon voit helposti säätää jalkatilän suuruutta ja selkänöjan kallistuskulmaa. Voit säätää istuinta myös silloin kun lapsi istuu turvaistuimessa.

Varmistaaksemme istuimen parhaan mahdollisen asennuksen ja lapsen turvallisuuden, suosittelemme että noudatat istuimen kyljessä olevaa käyttöikä opastusta. Lapsen kasvaessa on tärkeää säätää turvaistuin istuvampaan asentoon, jotta istuin suojaaisi lapsen niskaaparhaalla mahdollisella tavalla mahdollisen onnettomuuden sattuessa.

Kokomääritelmä perustuu lapsen pituuteen. Tarkista että nuolet tulevat kummassakin määrityksessä oikeisiin lokeroihin:

Ikä	Säätö	
Vauva 0-6kk (Vain AXKID ONE+ 3)	Suuri kallistus pieni jalkatila	<b>0-60 cm</b> 
Lapsi 0-3 vuotta	Kaikki kallistuskulmat Useampi jalkatilän asento	<b>61-105 cm</b> 
Lapsi 3-7 vuotta	Selkänöja pystyasentoon Suurin mahdollinen jalkatila	<b>106-125 cm</b> 

FI

## AXKID ONE 3 turvaistuimen säätäminen

- AXKID ONE 3 turvaistuimen jalkatila säädetään vapauttamalla jalkatilän säätönappi (N) samalla säätäen istuin toivottuun asentoon. Välttyäksenne istuimen tahattomalta liukumiselta eteenpäin, ota toisella kädellä kiinni istuimen selkänöjan takana olevasta kahvasta, ennen vapautuspainikkeen (N) painamista.
- Turvaistuimen kallistuksen kulmaa voidaan säätää kallistuksen säätönappilla (H)



# AXKID ONE 3 istuimen poistaminen autosta

- Paina takatukiraudan säätönappia ja säädä tukijalka lyhyimpään asentoon
- Vapauta etutukiraudan lukitsin (C) ja taita etutukirauta (D) istuinta kohden vapauttaaksesi istuimen jännityksestä.
- Irrota istuimen ISOFIX kynnet (Y) auton ISOFIX kiinnikkeistä painamalla ISOFIX painikkeet (X) alas ja vetämällä ISOFIX kynnet pois kiinnikkeistä.
- Pidä toisella kädellä ote etutukiraudasta (D). Tartu toisella kädellä istuimen selkäreunan takana olevaan kahvaan (O) ja nosta istuin pois autosta.
- Nosta takatukirauta (R) ylös tukijalan säätöhihnan (Q) avulla.

## Hoito ja kunnossapito

- Turvaistuimen istuinkangas voidaan konepestä hienopesuohjelmalla 30°C. Älä koskaan laita kangasta kuivausrumpuun, sillä tämä saattaa vahingoittaa kangasta. Kankaan pehmuste saattaa irrota kankaasta. Osoitteesta [www.axkid.com](http://www.axkid.com) löytyy ohje kuinka istuinkangas saadaan irrotettua istuinrungosta.
- Irrottaaksesi istuinkankaan istuinrungosta vedä sivusuojaa (L) ulospäin ja irrota purjereunalla kiinnitetty kangaspäällinen. Avaa selkäreunan painikkeet ja irrota päällinen varovasti. Huomioi kuinka kangas on kiinnitetty istuimen eri kohtiin, jotta sen uudelleen asennus olisi helpompaa. Kun asennat Sivusuojan (L) takaisin, asenna se alumiinisen rungon alle napsauttamalla se paikoilleen. Irrota pääntuen päällinen avaamalla vetoketjut ja pääntuen pohjassa ja selkäpehmusteissa olevat painikkeet ja irrottamalla päällinen varovasti.
- Mikäli istuinkangas jostakin syystä tulee uusia, älä käytä muita kuin valmistajan hyväksymiä alkuperäisiä varaosia. Muiden kuin valmistajan hyväksymät varaosat voivat heikentää lapsen turvallisuutta dramaattisesti.
- Istuimen kaikki muoviosat voidaan puhdistaa miedolla pesuaineella ja vedellä. Älä käytä voimakkaita kemikaaleja tai liuottimia, jotka voivat vahingoittaa istuimen muoviosia.
- Kaikki AXKID ONE 3 turvaistuimen osat ovat kierrätyskelpoisia ja ne tulisi kierrättää paikallisten ohjeiden mukaisesti.
- Takatukijalan ääni-indikaattori (S) sisältää nappipariston CR1632, irrota paristo ja kierrätä paristo paikallisten ohjeiden mukaisesti. Avaa takatukijalan (R) pohjassa olevat kaksi ruuvia, jotta kyseinen paristo voidaan poistaa.
- Älä koskaan te turvaistuimeen muutoksia tai modifioi sitä millään tavoin. Muutokset saattavat heikentää istuimen antamaa turvaa ja lapsen turvallisuus voi heikentyä.
- Istuimeen tehtävät mahdolliset korjaustoimenpiteet tulee suorittaa joko valmistaja tai valtuutettu jälleenmyyjä.

# Takuu

AXKID ONE 3 turvaistuimella on 2 vuoden takuu, joka astuu voimaan ostopäivämäärästä. Säilytä kuitti ja ota se mukaan asioidessasi mahdollisen takuuasian tiimoilta jälleenmyyjän luona.

Takuu ei kata:

- Normaalista kulumista
- Vääränlaisen käytön, tuotteen laiminlyönnin tai onnettomuuden aiheuttamia virheitä.
- Mikäli mahdolliset huoltotyöt on tehnyt muu kuin valtuutettu edustaja.
- Istuimen valmistuksessa käytetyt materiaalit kestävät hyvin UV-säteilyä. Huomaa kuitenkin, että UV-säteily on erittäin voimakasta ja jättää jäljet parhaisiinkin materiaaleihin. Materiaalit saattavat haalistua UV-säteilyn vuoksi. Nämä ovat normaalia kulumista eivätkä ole reklamaation aihe.
- Käsittele istuinta huolella. Huomaa, että istuimen takaosassa oleva verkko on arkaa ja voi vahingoittua helposti. Vain valmistus- tai materiaalivirheestä johtuvat virheet kuuluvat takuun piiriin.

## Kierrätä auton istuin



Axkid suosittelee vanhojen turvaistuinten kierrätystä. Ennen kuin jätät istuimen paikalliselle kierrätysasemalle, leikkaa valjaiden hihnat istuimesta, poista tekstiilipäällinen, poista mahdollisimman monta styroksiosia, erota metalli- ja muoviosat, jos mahdollista. Istuimen pääosa tulee merkitä vaaralliseksi tai vanhentuneeksi (käytä merkkiä), jotta kukaan ei käyttäisi sitä uudelleen. Tarkista eri materiaalien kierrätysohjeet paikallisista kunnan ohjeista.

# Paldies, ka izvēlējāties autokrēslu AXKID ONE 3

Lūdzu izlasiet šo instrukciju pirms uzstādat AXKID ONE 3 autokrēslu savā automašīnā.

Lai iegūtu vairāk informācijas vai apskatītu uzstādīšanas video, lūdzam apmeklēt vietni [www.axkid.com](http://www.axkid.com).

**AXKID ONE 3** autokrēsls ir autokrēsls, kas apstiprināts lietošanai bērniem augumā no 61 līdz 125cm vai ar maksimāli pieļaujamo svaru 23kg.

**AXKID ONE+ 3** autokrēsls ir autokrēsls, kas apstiprināts lietošanai bērniem augumā no 40 līdz 125cm vai ar maksimāli pieļaujamo svaru 23kg.

Ši ir uzlabota i-Size bērnu drošības sistēma. Tā ir sertificēta saskaņā ar ANO regulu Nr. 129 lietošanai i-Size saderīgās transportlīdzekļu sēdvietās, saskaņā ar automašīnu ražotāju norādēm transportlīdzekļa lietotāja rokasgrāmatā. Ja rodas šaubas, sazinieties ar uzlabotās bērnu drošības sistēmas ražotāju ([www.axkid.com](http://www.axkid.com)) vai mazumtirgotāju.

## Svarīga informācija

Lai maksimāli palielinātu jūsu bērna drošību, ir svarīgi atcerēties:

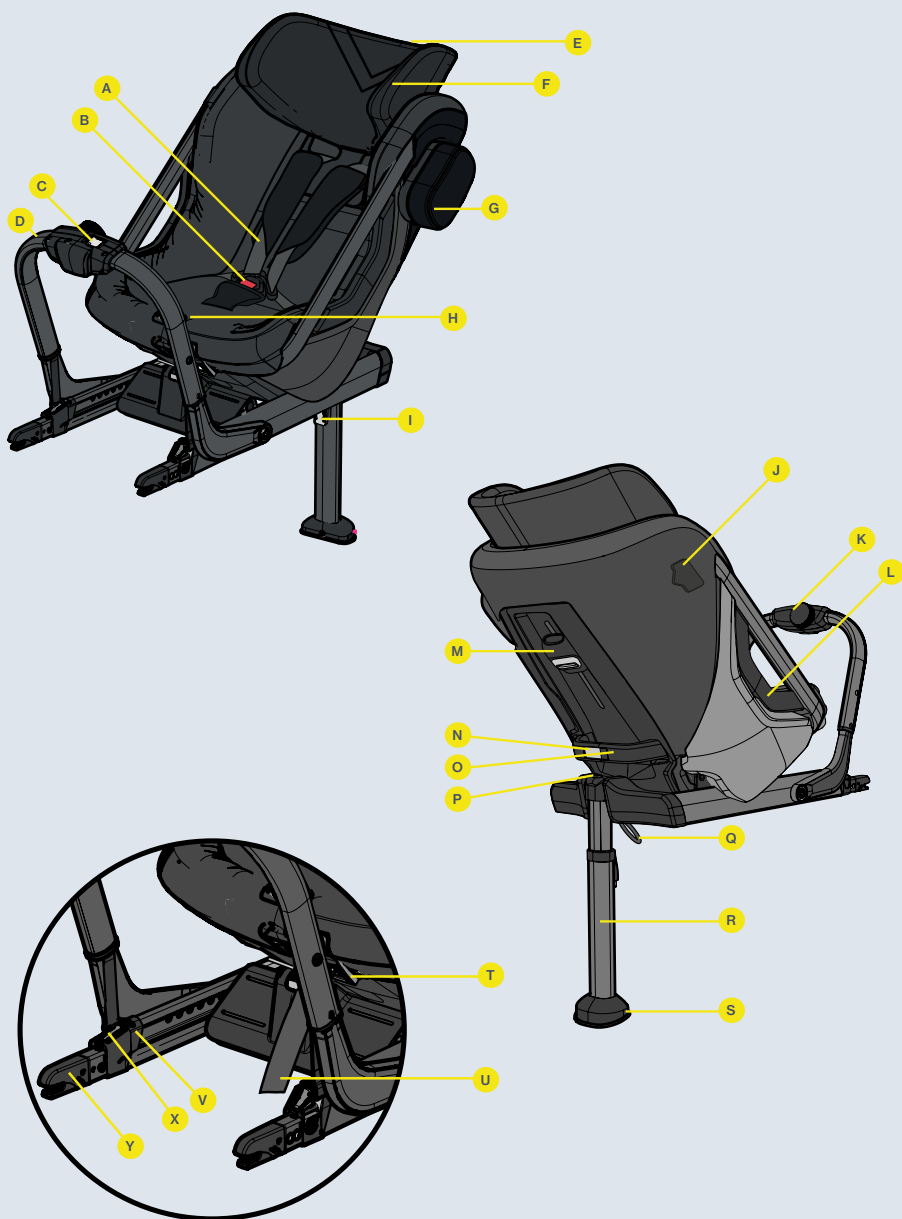
- Vienmēr ievērojiet šajā rokasgrāmatā sniegtos norādījumus. Nepareiza uzstādīšana var nopietni ietekmēt jūsu bērna drošību. Ja rodas šaubas, lūdz sazināties ar mazumtirgotāju, kurš var parādīt pareizu uzstādīšanu.
- Lai iegūtu jaunāko lietotāja rokasgrāmatas versiju, apmeklējiet vietni [www.axkid.com/manuals](http://www.axkid.com/manuals).
- Nelietojiet AXKID ONE 3 automašīnas sēdekli sēdvietā, kur ir uzstādīts aktīvs priekšējais gaisa spilvens. Ja jūs joprojām vēlaties uzstādīt AXKID ONE 3 automašīnas sēdekli šajā vietā, drošības spilvenam jābūt atslēgtam saskaņā ar transportlīdzekļa ražotāja norādījumiem.
- Ja jums ir noticis negadījums, neatkarīgi no tā, cik neliels tas ir, jūsu automašīnas sēdekļi vienmēr jānomaina. Tam var būt radies kaitējums, kas nav vizuāls, tomēr var nopietni ietekmēt jūsu bērna drošību. Šī iemesla dēļ Axkid arī neiesaka iegādāties lietotus bērnu autosēdekļus.
- Ja AXKID ONE 3 autokrēsls ir bijis pakļauts tiešiem saules stariem, pirms bērna iesēdināšanas tajā pārļiecinieties, vai automašīnas sēdekļi nav pārāk karsti.
- Nekad neatstājiet savu bērnu bez uzraudzības transportlīdzeklī.
- Pārļiecinieties, vai bagāža vai citi vaļi priekšmeti jūsu automašīnā ir nostiprināti, jo negadījuma gadījumā tie var savainot pasažierus.
- Pārļiecinieties, ka AXKID ONE 3 autokrēsls ir uzstādīts tā, lai tā daļas netraucē kustīgu sēdvietu, automašīnas durvju u.c. kustībai.
- AXKID ONE 3 autokrēslu drīkst uzstādīt tikai vērstu virzienā uz aizmuguri.
- Vienmēr pārļiecinieties, vai drošības jostas ir noregulētas tā, lai tās būtu pareizi piemērotas bērna ķermenim. Drošības jostu augstumu regulē, pārvietojot galvas atbalstu.
- Pārļiecinieties, vai nostiprinot drošības jostas, bērna mugura ir piespiesta pie automašīnas sēdekļa.
- Vienmēr pārļiecinieties, vai drošības jostas ir stingri pievilktas, pieguļ bērna ķermenim un vai sprādze ir pilnībā nofiksēta, pietiekami pievilktu drošības jostu dubultu cilpu nevajadzētu varēt satvert ar ikšķi un rādītājpirkstu.
- Pārļiecinieties, vai drošības jostas nav savērpušās.
- Vienmēr pārļiecinieties, vai atbalsta kāja ir pareizajā stāvoklī un tai ir saskare ar automašīnas grīdu. Pārbaudiet, vai atbalsta kājas augšpusē esošais indikators ir zaļš un vai no atbalsta kājas bāzes nedzirdat pikstošu skaņu.
- Nemēģiniet izjaukt vai pārveidot nevienu AXKID ONE 3 autokrēsla daļu. Tas var ietekmēt AXKID ONE 3 autokrēsla drošības rādītājus un garantiju.
- Nekad nelietojiet AXKID ONE 3 autokrēslu bez sēdekļa auduma pārvalka. Sēdekļa auduma pārvalks ir daļa no drošības līdzekļa, un to var nomainīt tikai ar oriģinālo Axkid sēdekļa auduma pārvalku.
- Izlasiet transportlīdzekļa rokasgrāmatu, lai uzzinātu, kuras sēdvietas ir piemērotas šī autokrēsla uzstādīšanai.
- Axkid iesaka vienmēr izmantot sēdekļa aizsargpārklāju, lai aizsargātu automašīnas sēdekli no bojājumiem un netirumiem.
- Ja rodas šaubas, sazinieties ar mazumtirgotāju, pie kura tika iegādāts autokrēsls, vai sazinieties ar [info@axkid.com](mailto:info@axkid.com)



# Satura rādītājs

Autokrēsla daļas	114
Atļautas un aizliegtas pozīcijas AXKID ONE 3 autokrēsla uzstādīšanai	116
AXKID ONE 3 autokrēsla uzstādīšana transportlīdzeklī	117
Bērna piesprādzēšana AXKID ONE 3 autokrēslā	118
Sēdekļa regulēšana	119
AXKID ONE 3 autokrēsla pielāgošana	119
AXKID ONE 3 autokrēsla noņemšana	120
Apkope un uzturēšana	120
Garantija	121

# Autokrēsla daļas



Plecu jostas (A)	Galvas balsta regulēšanas pogas (M)
Sprādzes atbrīvošanas poga (B)	Kāju vietas regulēšanas poga (N)
Priekšējā atbalsta atbrīvošanas poga (C)	Aizmugurējais rokturis (O)
Priekšējais atbalsts (D)	Atbalsta kājas stāvokļa indikators (P)
Galvas balsts (E)	Atbalsta kājas atbrīvošanas sikсна (Q)
Acu līmeņa indikators (F)	Atbalsta kāja (R)
ASIP drošības spilventiņš (G)	Skaņas indikators (S)
Atgāšanas stāvokļa poga (H)	Jostu atbrīvošanas poga (T)
Atbalsta kājas poga (I)	Jostu pievilšanas sikсна (U)
ASIP piestiprināšanas vieta (J)	ISOFIX savienojuma indikatori (V)
Priekšējā atbalsta poga (K)	ISOFIX pogas (X)
Sānu nosegs (L)	ISOFIX savienotāji (Y)

# Atļautas un aizliegtas pozīcijas AXKID ONE 3 autokrēsla uzstādīšanai

AXKID ONE 3 autokrēslu var uzstādīt tikai vērstu virzienā uz aizmuguri, izmantojot ISOFIX. Tas ir apstiprināts lietošanai visās I-Size apstiprinātajās sēdvietās, bet var ietilpt arī citās - neapstiprinātās sēdvietās, ja tās aprīkotas ar ISOFIX. Pārbaudiet sava transportlīdzekļa lietošanas rokasgrāmatu, lai atrastu piemērotas sēdvietas, un pārbaudiet transportlīdzekļu sarakstu vietnē [www.axkid.com](http://www.axkid.com)

Priekšējā pasažiera sēdvietā ar ISOFIX (bez aktivizēta gaisa spilvena)	JĀ/NĒ*
Priekšējā pasažiera sēdvietā ar ISOFIX (ar aktivizētu gaisa spilvenu)	NĒ
Aizmugurējās sēdvietas ar ISOFIX	JĀ
Sēdvietas, kas vērstas atpakaļ vai uz sāniem ar ISOFIX	NĒ
Sēdvietas bez ISOFIX	NĒ



**SVARĪGI:** Ja vēlaties uzstādīt savu AXKID ONE 3 autokrēslu vietā, kur ir uzstādīts frontālais drošības spilvens, drošības spilvens ir jāatvieno saskaņā ar jūsu automašīnas ražotāja norādījumiem. Ņemiet vērā, ka dažiem transportlīdzekļiem ir nepieciešams autorizēts servisa centrs, lai atvienotu drošības spilvenu.

\* Spānijas vispārējo satiksmes noteikumu 117. pantā bez izņēmumiem ir aizliegts pārvadāt transportlīdzekļa priekšējos sēdekļos bērnus, kuru augums ir vienāds vai mazāks par 135 centimetriem.



Nekad neuzstādi bērnu autokrēslu pasažieru sēdvietā, kas ir aprīkota ar aktivizētu gaisa spilvenu.





# AXKID ONE 3 automašīnas sēdekļa uzstādīšana transportlīdzeklī

1

Pirms AXKID ONE 3 autokrēsla uzstādīšanas automašīnā, samaziniet tā izmēru, atlaižot kāju telpas regulēšanas pogu (N) un pabīdiet sēdekli priekšējā atbalsta virzienā (D). Nolieciet atbalsta kāju (R) uz leju, līdz atskan klikšķis un atbalsta kājas stāvokļa indikators (P) kļūst zaļš.

2

Atlaidiet priekšējo atbalsta atbrīvošanas pogu (C) un salieciet priekšējo atbalstu (D) sēdekļa virzienā. Turiet priekšējo atbalstu (D) ar vienu roku un ar otru roku satveriet aizmugurējo rokturi (O), ieceliet autokrēslu AXKID ONE 3 automašīnā ar priekšējo atbalstu (D) pa priekšu un pēc tam pagrieziet to uz aizmuguri vērstā pozīcijā.

3

Spiediet ISOFIX savienotājus (Y) transportlīdzekļa ISOFIX savienojuma punktus, līdz dzirdat klikšķi un abi ISOFIX savienojuma indikatori (V) kļūst zaļi.

4

Atlaidiet priekšējo atbalstu (D), kas pats nosprīegosies pret transportlīdzekļa sēdekli. Kad tas apstājas, pagrieziet priekšējā atbalsta pogu (K) pulksteņrādītāja virzienā, līdz jūtat un dzirdat klikšķi, priekšējam atbalsta (D) tagad būtu jābūt stingri piespiestam pie transportlīdzekļa sēdekļa. Priekšējā atbalsta pogai (K) ir iebūvēts griezes momenta ierobežotājs, un klikšķis norāda, ka priekšējais atbalsts (D) ir pievilktis pareizi un to vairs nevar pievilkt ciešāk.

5

Nospiediet atbalsta kājas pogu (I) un velciet atbalsta kāju (R) uz leju, līdz tā saskaras ar automašīnas grīdu. Atlaidiet atbalsta kājas pogu (I) un paceliet autokrēslu uz augšu, lai turpinātu pagarināt atbalsta kāju (R), līdz dzirdat klikšķi. Atbalsta kājai (R) tagad jābūt nofiksētai un stingri piespiestai pie automašīnas grīdas. Piezīme: AXKID ONE 3 autokrēsls ir aprīkots ar pikstiena skaņas indikatoru (S), kas turpinās pikstēt, līdz atbalsta kājai (R) ir stingri piespiesta pie grīdas, norādot uz pareizu uzstādīšanu.

6

Iebīdiet ASIP drošības spilventiņu (G) spraugās uz ASIP piestiprināšanas vietas (J) un slidiniet uz leju, kamēr ASIP drošības spilventiņš (G) ieklikšķinās savā vietā. Ja ASIP piestiprināšanas vietai (J) ir plastmasas pārsegs, noņemiet to un pirms ASIP drošības spilventiņa (G) uzstādīšanas novietojiet to uz ASIP piestiprināšanas vietas (J) sēdekļa pretējā pusē. Pārliecinieties, ka ASIP drošības spilventiņš (G) ir piestiprināts AXKID ONE 3 autokrēslam tajā pusē, kas ir vistuvāk automašīnas durvīm.



# Bērna piesprādzēšana AXKID ONE 3 autokrēslā

Pirms bērna piesprādzēšanas AXKID ONE 3 autokrēslā, pārliedcinieties, vai sēdekli ir uzstādīti pareizi ieliktnī. AXKID ONE 3 ir paredzēts, lai augtu kopā ar jūsu bērnu un nodrošinātu ērtu un drošu piemērotību bērniem jebkurā vecumā.

Axkid iesaka izmantot attiecīgo ieliktni, līdz tas ir pārāk ciešs jūsu bērnam, bet līdz minimālajam augumam saskaņā ar tabulu zemāk (ņemiet vērā, ka norādītais vecums ir tikai indikatīvs):

Vecums	Augums	
Zīdaiņis 0-6 mēneši (tikai modelim AXKID ONE+3)	0 – 60 cm	
Mazs bērns 0-3 gadi	61 – 105 cm	
Bērns 3-7 gadi	105 – 125 cm	

7

Atbrīvojiet plecu jostas (A), nospiežot jostu atbrīvošanas pogu (T), un vienlaikus izvelciet abas plecu jostas(A). Nevelciet tikai vienu jostu, jo tas var izraisīt plecu jostu (A) nevienmērīgumu.

8

Atbrīvojiet sprādzi, nospiežot sprādzes atbrīvošanas pogu (B), un novietojiet jostas ārpus sēdekļa.

9

Novietojiet bērnu sēdekli un plecu jostas(A) novietojiet virs bērna pleciem. Nofiksējiet drošības jostas, vispirms savietojot kopā sprādzes daļas, kas piestiprinātas pie plecu jostām (A), un pēc tam iespiediet tās sprādzē, līdz dzirdat klikšķi.

10

Noregulējiet galvas balstu (E), līdz acu līmeņa indikatori (F) atbilst bērna acu augstumam, nospiežot abas galvas balsta regulēšanas pogas (M) un pabīdot to uz augšu vai uz leju. Piezīme: acu līmeņa indikatoru (F) neizmanto, ja tiek izmantots zīdaiņa ieliktnis (tikai modelim AXKID ONE+ 3). Izmantojot AXKID ONE+ 3 zīdaiņiem, vienmēr pārliedcinieties, ka galvas balsts ir zemākajā stāvoklī.

11

Pārbaudiet, vai plecu jostas(A) iet cauri sēdeklim taisni no bērna pleciem vai ne vairāk kā 1 cm virs. Jums, iespējams, vajadzēs vēlreiz noregulēt galvas balstu (E), pat ja tas nozīmē, ka acu līmeņa indikatori vairs nesakrīt ar bērna acu augstumu. Tagad pavelciet plecu jostas (A), lai pievilktu stiprinājumu uz bērna gurniem. Turot plecu jostas (A) nosprīegotas, velciet jostu pievilksanas siksnu (U), līdz jostas ir pietiekami pievilktas; spraugai starp plecu jostām (A) un bērna pleciem nevajadzētu būt lielāki, kā viena pirksta platumā.



## Sēdekļa regulēšana

Pēc tam, kad AXKID ONE 3 autokrēsls ir uzstādīts jūsu automašīnā, varat viegli pielāgot bērnam gan kāju vietu, gan atzveltnes stāvokli. To var izdarīt arī tad, kad jūsu bērns ir jau piesprādzēts sēdekli.

Lai nodrošinātu labu atbilstību visās automašīnās un vislabāko aizsardzību jūsu bērnam, Axkid stingri rekomendē izmantot ieteiktās pozīcijas, kas marķētas uz autokrēsla sāniem. Jūsu bērnam augot, ir svarīgi pielāgot atzveltni pēc iespējas vertikālā stāvoklī, lai nelaimes gadījumā būtu nodrošināta vislabākā iespējamā bērna kakla aizsardzība. Izmēra norāde ir atkarīga no jūsu bērna auguma. Pārliecinieties, ka abas buliņas norāda uz pareizo zonu.

Vecums	Regulējums	
Zidainis 0-6 mēneši (tikai modelim AXKID ONE+3)	Maksimālais slīpums Minimālā kāju vieta	<b>0-60 cm</b> 
Mazs bērns 0-3 gadi	Visas slīpuma pozīcijas Vairākas kāju vietas pozīcijas	<b>61-105 cm</b> 
Bērns 3-7 gadi	Maksimāli stāva pozīcija Maksimāla kāju vieta	<b>106-125 cm</b> 

## AXKID ONE 3 autokrēsla pielāgošana

- Kāju vieta tiek noregulēta, atlaižot kāju vietas regulēšanas pogu (N) un bīdot sēdekli uz priekšu vai atpakaļ. Lai izvairītos no AXKID ONE 3 nejaušas slidēšanas uz priekšu, satveriet aizmugurējo rokturi (O) un uzmanīgi pavelciet to atpakaļ, pirms atlaižat kājas vietas regulēšanas pogu (N).
- Autokrēsla guļus stāvokli var noregulēt, pagriežot atgāšanas stāvokļa pogu (H).



# AXKID ONE 3 autokrēsla noņemšana

Nospiediet atbalsta kājas pogu (I) un sabīdīet atbalsta kāju (R) līdz isākajai pozīcijai.

Pabīdīet priekšējā atbalsta atbrīvošanas pogu (C) un salieciet priekšējo atbalstu (D) sēdekļa virzienā, lai tas vairs nebūtu nospiegots pret transportlīdzekļa sēdekļa atzveltni

Atvienojiet ISOFIX savienotājus (Y), nospiežot ISOFIX pogas (X), un pēc tam bīdīet tos atpakaļ prom no automašīnas sēdekļa.

Turiet priekšējo atbalstu (D) ar vienu roku un ar otru roku satveriet aizmugurējo rokturi (O) un izceliet AXKID ONE 3 autokrēslu no automašīnas.

Pielieciet atbalsta kāju (R), pavelkot atbalsta kājas atbrīvošanas siksnu (Q) un saliecot atbalsta kāju (R) uz augšu.

## Apkope un uzturēšana

- Sēdekļa auduma pārvalku var mazgāt veļasmašīnā 30°C temperatūrā, izvēloties saudzīgu režīmu. Nelieciet pārvalku žāvētājā, jo tādejādi tas var tikt bojāts, un polsterējums var atdalīties no auduma. Apmeklējiet vietni [www.axkid.com](http://www.axkid.com), lai atrastu videoklipus, kuros paskaidrots, kā pārvalku noņemt un uzlikt to atpakaļ.
- Lai noņemtu auduma pārvalku no sēdekļa, pavelciet sānu pārvalku (L) uz āru un noņemiet auduma cilpiņu. Atveriet uz atzveltnes esošās pogas un uzmanīgi noņemiet pārvalku no sēdekļa. Atveriet rāvējslēdzējus atzveltņē un uzmanīgi noņemiet pārvalku no sēdekļa. Legaumējiet, kā tas ir piestiprināts sēdeklim, lai būtu vieglāk uzlikt to atpakaļ. Uzstādot atpakaļ sānu pārsegus (L), ievietojiet to zem alumīnija rāmja un vienkārši iespiediet atpakaļ spraudņa stiprinājumā. Lai noņemtu galvas balsta pārvalku, atveriet rāvējslēdzējus un pogas galvas balsta un aizmugurējā polsterētā pārvalka apakšā un uzmanīgi noņemiet pārvalku.
- Ja sēdekļa pārvalks ir jāmaina, pārliecinieties, ka tiek izmantoti tikai oriģinālie Axkid izstrādājumi. Ja tiek izmantoti citi produkti, AXKID ONE 3 autokrēsla drošības sistēma var tikt apdraudēta, un avārijas gadījumā tā var izraisīt smagus ievainojumus.
- Visas AXKID ONE 3 autokrēsla plastmasas daļas var tīrīt ar maigu mazgāšanas līdzekli un ūdeni. Nelietojiet agresīvas ķīmiskas vielas, kas satur šķīdinātājus vai tamlīdzīgas vielas, jo tās var sabojāt plastmasu un apdraudēt autokrēsla drošību.
- Visi materiāli, kas izmantoti AXKID ONE 3 automašīnas sēdekļi, ir pārstrādājami, un tie ir jāpārstrādā atbilstoši vietējiem noteikumiem. Lai pārstrādātu šo produktu, jautājiet padomu vietējam pārstrādes centram.
- Skaņas indikators (S) satur maināmu CR1632 akumulatoru. Kad AXKID ONE 3 autokrēsls vairs netiks lietots, lūdzu izņemiet un pārstrādājiet akumulatoru atbilstoši vietējiem noteikumiem. Lai piekļūtu akumulatoram, atskrūvējiet divas skrūves atbalsta kājas (R) apakšā un noņemiet pārsegu.
- Neveiciet nekādas izmaiņas vai pārveidojumus AXKID ONE 3 autokrēslā, izņemot tos, kas aprakstīti šajā lietošanas instrukcijā.
- Jebkurš remonts jāveic ražotājam vai tā pārstāvim.



# Garantija

Autokrēslam AXKID ONE 3 ir spēkā 24 mēnešu garantija, skaitot no pirkuma datuma. Lūdzu saglabājiet čeku vai rēķinu un uzrādiet to autokrēsla pirkšanas vietā, ja konstatējat problēmas, kuras sedz garantija.

Garantija neattiecas uz:

- Normāls nolietojums
- Bojājumi nepareizas lietošanas, nolaidības vai negadījuma dēļ
- Ja remontu ir veikusi trešā persona
- Visiem izmantotajiem materiāliem ir ļoti augsts UV izturības vērtējums. Tomēr UV gaisma ir ļoti agresīva un galu galā novedīs pie sēdekļa pārvalka izbalēšanas. Uz to neattiecas mūsu garantija, jo tas tiek uzskatīts par normālu nolietojumu.
- Rikojieties ar sēdekli uzmanīgi. Ņemiet vērā, ka aizmugures tīklveida audums viegli skrāpējas un var tikt sabojāts. Uz to garantija neattiecas, izņemot gadījumus, kad tīklveida auduma bojājums atzīts par ražošanas defektu.

## Riciclare la tua base



Axkid stingri iesaka vecos automašīnu sēdekļus pārstrādāt. Ja iespējams, pirms bāzes atstāšanas vietējā pārstrādes stacijā atdaliet metāla un plastmasas daļas. Pamatnes galvenā daļa ir jāatzīmē kā nedroša vai beidzies derīguma termiņš (izmantojiet marķieri), lai atturētu nevienu no tās atkārtotas lietošanas. Lūdzu, pārbaudiet vietējās pašvaldības vadlīnijas par dažādu materiālu pārstrādes instrukcijām.

# Obrigado por escolher AXKID ONE 3

Leia atentamente este manual de instruções antes de instalar a cadeira auto AXKID ONE 3 no seu veículo. Para mais informações e vídeos de montagem, visite [www.axkid.com](http://www.axkid.com).

A cadeira auto **AXKID ONE 3** é uma cadeira contra o sentido da marcha recomendada para crianças com uma altura entre 61-125 cm ou com um peso máximo de 23 kg.  
**AXKID ONE+ 3** é uma cadeira auto contra o sentido da marcha recomendada para crianças com uma altura entre 40-125 cm ou com um peso máximo de 23 kg.

Trata-se de um sistema de retenção para crianças certificado pela norma i-Size. Está homologado de acordo com o regulamento europeu n.º 129, para utilização em assentos de veículos compatíveis com a norma i-Size, conforme indicado pelos fabricantes de veículos no manual do utilizador. Em caso de dúvida, consultar o fabricante do sistema de retenção ([www.axkid.com](http://www.axkid.com)) ou o revendedor.

## Informação importante

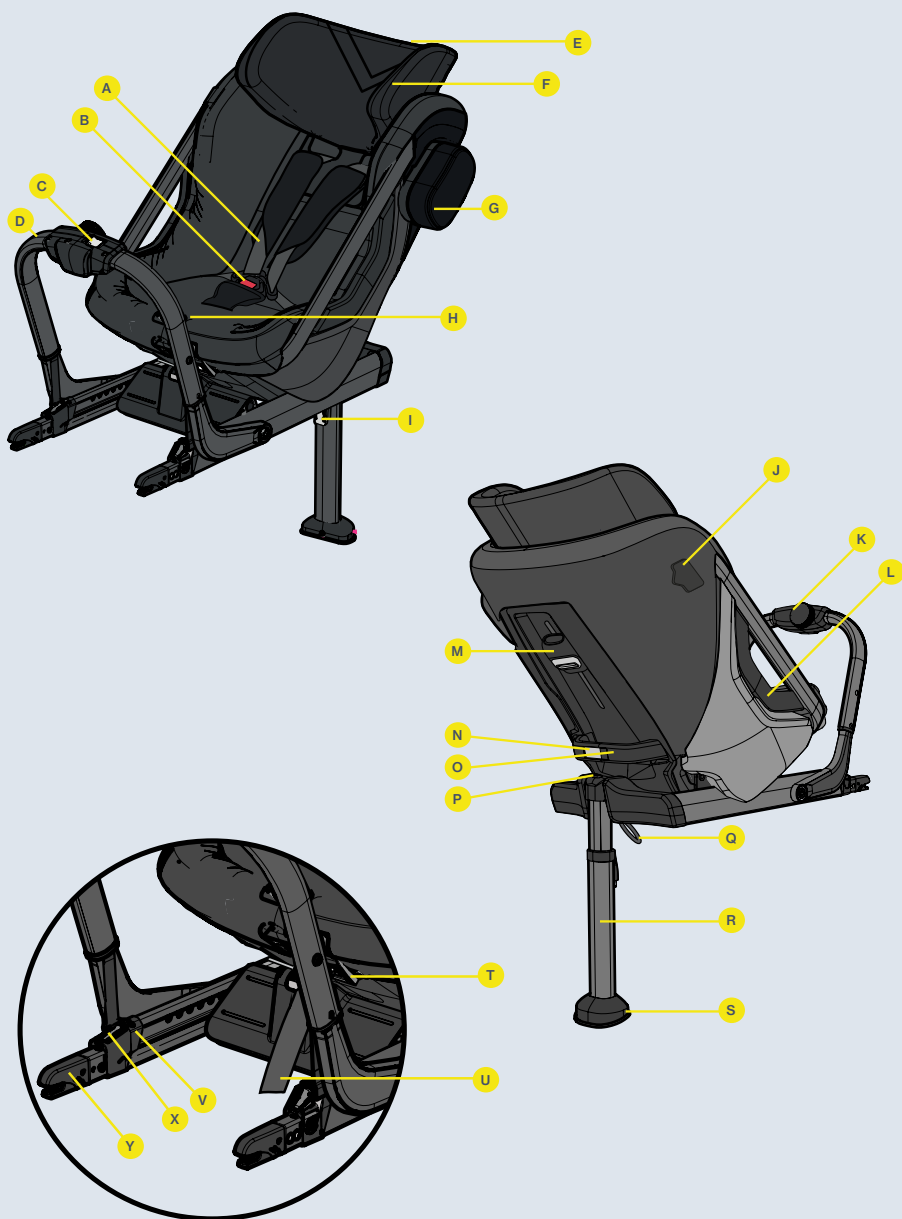
Para maximizar a segurança do seu filho, é importante que tenha em mente as seguintes recomendações:

- Siga sempre as instruções contidas neste manual. Uma instalação incorreta pode afetar seriamente a segurança do seu filho. Em caso de dúvida, entre em contacto com o seu revendedor que poderá demonstrar uma instalação correta.
- Para obter a versão mais recente do manual do utilizador, visite [www.axkid.com/manuals](http://www.axkid.com/manuals).
- Não instale a cadeira auto AXKID ONE 3 em um banco equipado com um airbag ativo. Se ainda assim desejar instalar a sua AXKID ONE 3 neste assento, o airbag deve ser desativado de acordo com as instruções do fabricante do veículo.
- Em caso de acidente, por mais pequeno que seja, a cadeira auto deve ser sempre substituída, uma vez que esta pode apresentar danos indetetáveis que comprometam a segurança do seu filho. Por esta razão, Axkid não recomenda a compra de sistemas de retenção para crianças de segunda mão.
- Se a cadeira auto AXKID ONE 3 tiver sido exposta à luz solar direta, certifique-se de que a cadeira tenha uma temperatura adequada antes de instalar o seu filho.
- Nunca deixe o seu filho sozinho no veículo.
- Certifique-se de que qualquer bagagem ou objetos soltos estejam seguros no seu veículo, pois podem causar lesões aos passageiros em caso de colisão.
- Certifique-se de que a cadeira auto AXKID ONE 3 esteja instalada de forma que nenhuma de suas peças fique presa entre os assentos móveis, portas de carro, etc.
- A cadeira auto AXKID ONE 3 só pode ser instalada virada para trás, ou seja, no sentido contrário da marcha.
- Certifique-se sempre de que o arnês esteja ajustado corretamente ao corpo do seu filho. O arnês pode ser ajustado movendo o apoio de cabeça.
- Certifique-se de que as costas da criança estejam encostadas à cadeira auto no momento de ajustar o arnês.
- Certifique-se sempre de que o arnês esteja firmemente ajustado ao corpo da criança e de que a fivela esteja completamente bloqueada, de modo que as correias estejam devidamente tensionadas.
- Certifique-se de que o arnês não esteja torcido.
- Certifique-se sempre de que a perna de suporte esteja na posição correta e de que tenha contacto com o chão do veículo. Verifique se o indicador no topo da perna de suporte está verde e se não houver nenhum sinal no rodapé da perna de suporte.
- Não tente desmontar nem modificar qualquer parte da sua AXKID ONE 3. Neste caso, a garantia e o desempenho de segurança da cadeira auto AXKID ONE 3 podem ser afetados.
- Nunca utilize a cadeira auto AXKID ONE 3 sem a capa têxtil. A capa é um componente de segurança e só pode ser substituída por uma capa têxtil original da Axkid.
- Leia o manual do veículo para comprovar quais os assentos adequados para instalar a cadeira auto.
- Axkid recomenda que utilize sempre uma proteção de banco para proteger os assentos do seu veículo contra arranhões e sujidade.
- Em caso de dúvidas, contacte o revendedor ou contacte-nos através do e-mail [info@axkid.com](mailto:info@axkid.com)

# Índice de conteúdo

Partes	124
Posicionamento permitido e não permitido da cadeira auto AXKID ONE 3	126
Instalação da cadeira auto AXKID ONE 3 no veículo	127
Retenção da criança na cadeira auto AXKID ONE 3	128
Indicadores de ajuste da cadeira auto AXKID ONE 3	129
Ajustes da cadeira auto AXKID ONE 3	129
Remoção da cadeira auto AXKID ONE 3 do veículo	130
Cuidados e manutenção	130
Garantia	131

# Partes



Correias do arnês (A)	Botões de ajuste do apoio de cabeça (M)
Botão de desbloqueio da fivela (B)	Botão de ajuste do espaço para as pernas (N)
Botão de desbloqueio da barra dianteira (C)	Pega traseira (O)
Barra dianteira (D)	Indicador de posição da perna de suporte (P)
Apoio de cabeça (E)	Alça de desbloqueio da perna de suporte (Q)
Indicador do nível dos olhos (F)	Perna de suporte (R)
Almofada de proteção lateral (ASIP) (G)	Indicador sonoro (S)
Botão de posição de reclinção (H)	Botão de desbloqueio do arnês (T)
Botão da perna de suporte (I)	Correia de tensão do arnês (U)
Conector ASIP (J)	Indicadores de travamento ISOFIX (V)
Botão da barra dianteira (K)	Botões ISOFIX (X)
Capa lateral (L)	Conectores ISOFIX (Y)

# Posicionamento permitido e não permitido da cadeira auto AXKID ONE 3

A cadeira auto AXKID ONE 3 só pode ser instalada no sentido contrário da marcha utilizando ISOFIX. Está aprovada para ser utilizada em quaisquer assentos homologados com a norma i-Size, mas também pode ser instalada em outros assentos com ISOFIX não homologados com i-Size. Consulte o manual de instruções do seu veículo para encontrar os assentos adequados e confira a lista de veículos em [www.axkid.com](http://www.axkid.com).

Banco dianteiro destinado ao passageiro com ISOFIX (sem airbag ativo)	SIM/NÃO*
Banco dianteiro destinado ao passageiro com ISOFIX (airbag ativo)	NÃO
Banco da retaguarda com ISOFIX	SIM
Bancos laterais e voltados para trás com ISOFIX	NÃO
Bancos sem ISOFIX	NÃO



**IMPORTANTE:** Se deseja instalar a sua AXKID ONE 3 em um banco onde esteja instalado um airbag frontal, o airbag deve ser desconectado de acordo com as instruções do fabricante do seu veículo. Note que alguns veículos necessitam de um serviço de assistência autorizado para desconectar o airbag.

\* O Artigo 55.º do DL n.º 114/94, de 03 de Maio, "CÓDIGO DA ESTRADA": afirma que as crianças com menos de 12 anos de idade transportadas em automóveis equipados com cintos de segurança, desde que tenham altura inferior a 135 cm, devem ser seguras por sistema de retenção homologado e adaptado ao seu tamanho e peso. O transporte das crianças referidas no número anterior deve ser efetuado no banco da retaguarda, com algumas exceções.



Nunca instale um sistema de retenção para crianças num banco equipado com um airbag ativo.





# Instalação da cadeira auto AXKID ONE 3 no veículo

1

Antes de instalar a cadeira auto AXKID ONE 3 no seu veículo, minimize o seu tamanho apertando o botão de ajuste do espaço para as pernas (N) e deslize o banco em direção a barra dianteira (D). Expanda a perna de suporte (R) até ouvir um clique e o indicador de posição da perna de suporte (P) ficar verde.

2

Aperte o botão de desbloqueio da barra dianteira (C) e leve a barra dianteira (D) em direção a cadeira. Segure a barra dianteira (D) com uma mão e agarre a pega traseira (O) com a outra mão. Coloque a cadeira auto AXKID ONE 3 dentro do veículo, começando pela parte da barra dianteira (D) e posicione-a sobre o assento no sentido contrário da marcha.

3

Empurre os conectores ISOFIX (Y) contra os pontos de fixação ISOFIX do veículo até ouvir um clique e ambos os indicadores de travamento ISOFIX (V) ficarem verdes.

4

Solte a barra dianteira (D) que começará a se tensionar contra o banco do veículo. Quando parar, rode o botão da barra dianteira (K) no sentido horário até sentir e ouvir um clique, desse modo a barra dianteira (D) estará firmemente pressionada contra o banco do veículo. O botão da barra dianteira (K) possui um limitador de torque incorporado e o clique indica que a barra dianteira (D) está corretamente apertada e já não pode ser tensionada.

5

Aperte o botão da perna de suporte (I) e puxe a perna de suporte (R) para baixo até estar em contacto com o chão do veículo. Solte o botão da perna de suporte (I) e levante a cadeira auto para cima para prolongar ainda mais a perna de suporte (R) até ouvir um clique. Desse modo, a perna de suporte (R) estará bloqueada e firmemente pressionada contra o chão do veículo. Nota: A cadeira auto AXKID ONE 3 está equipada com um indicador sonoro (S) que irá apitar até que a perna de suporte (R) esteja firmemente pressionada contra o chão, indicando uma instalação correta.

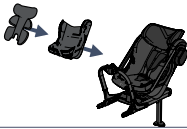


6

Pressione a almofada de proteção lateral (G) nos encaixes do conector ASIP (J) e deslize para baixo, desse modo a almofada de proteção lateral (G) se fixará corretamente. Caso haja uma tampa de plástico no conector ASIP (J), retire-a e coloque-a no conector ASIP (J) no lado oposto da cadeira auto antes de fixar a almofada de proteção lateral (G). Certifique-se de que a almofada de proteção lateral (G) esteja fixada na lateral que se encontra mais próxima da porta do veículo.



# Retenção da criança na cadeira auto AXKID ONE 3

Antes de reter o seu filho na cadeira auto AXKID ONE 3, certifique-se de que tenha os redutores apropriados instalados na cadeira. AXKID ONE 3 foi concebida para crescer com o seu filho e para garantir a comodidade e a segurança de todas as crianças. AXKID ONE 3 recomenda a utilização dos redutores correspondentes a cada idade, até que o espaço seja demasiado apertado para o seu filho. Sempre considerando a altura mínima de acordo com a tabela abaixo (note que a idade é meramente indicativa):

Idade	Altura	
Bebé 0-6 meses (Apenas AXKID ONE+ 3)	0 – 60 cm	
Criança pequena 0-3 anos	61 – 105 cm	
Criança maior 3-7 anos	105 – 125 cm	

7

Solte o arnês premindo o botão de desbloqueio do arnês (T) e puxe as duas correias do arnês (A) ao mesmo tempo. Evite puxar apenas uma correia de cada vez, já que isso pode fazer com que as correias do arnês (A) fiquem irregulares.

8

Solte a fivela premindo o botão de desbloqueio da fivela (B) e disponha as correias fora da cadeira.

9

Sente o seu filho no assento e coloque as correias do arnês (A) sobre os ombros da criança. Para bloquear o arnês, junte as partes da fivela situadas nas correias do arnês (A) e empurre-as para dentro da fivela até ouvir um clique.

10

Ajuste o apoio de cabeça (E) até que os indicadores do nível dos olhos (F) estejam alinhados com o nível de visão de seu filho, premindo ambos os botões de ajuste do apoio de cabeça (M) e deslizando-os para cima ou para baixo. Nota: os indicadores do nível dos olhos (F) não devem ser utilizados quando se usa o redutor para bebês (Apenas AXKID ONE+ 3). Ao utilizar AXKID ONE+ 3 para bebês, certificar-se sempre de que o apoio de cabeça está na posição mais baixa.

11

Verifique se as correias do arnês (A) passam diretamente por cima dos ombros do seu filho ou, no máximo, 1 cm acima. Pode ser necessário ajustar o apoio de cabeça (E) novamente, mesmo que isso faça com que o indicador de nível de visão não fique alinhado com os olhos do seu filho. Em seguida, puxe as correias do arnês (A) para apertar o cinto sobre os quadris do seu filho. Enquanto mantém a tensão nas correias (A), puxe a correia de tensão do arnês (U) até que o arnês esteja suficientemente apertado, você não poderá colocar mais de um dedo entre as correias (A) e os ombros do seu filho.





# Indicadores de ajuste da cadeira auto AXKID ONE 3

Após a instalação da sua AXKID ONE 3 no veículo, será possível ajustar facilmente o espaço para as pernas e a posição de reclinção ideal para o seu filho. Isto também pode ser feito enquanto a criança estiver sentada na cadeira auto.

Para garantir um ajuste correto em todos os veículos e dar a melhor proteção ao seu filho, Axkid recomenda vivamente que utilize as posições orientativas marcadas na lateral da cadeira auto. À medida que o seu filho cresce, é importante ajustar a reclinção a uma posição mais reta para dar a melhor proteção possível para o pescoço do seu filho em caso de acidente. As marcas orientativas são baseadas na altura do seu filho. Certifique-se de que ambas as setas apontem para a zona correta.

Idade	Ajuste	
Bebé 0-6 meses (Apenas AXKID ONE+3)	Reclinção máxima Espaço mínimo para as pernas	
Criança pequena 0-3 anos	Todas as posições de reclinção Várias posições de espaço para as pernas	
Criança maior 3-7 anos	Posição vertical máxima Espaço máximo para as pernas	

## Ajustes da cadeira auto AXKID ONE 3

- O espaço para as pernas pode ser acomodado apertando o botão de ajuste do espaço para as pernas (N) e deslizando o assento para a frente ou para trás. Para evitar que a AXKID ONE 3 deslize acidentalmente para a frente, agarre a pega traseira (O) e puxe-a suavemente para trás antes de soltar o botão de ajuste do espaço para as pernas (N).
- A posição reclinada da cadeira auto pode ser ajustada girando o botão de posição de reclinção (H).



# Remoção da cadeira auto AXKID ONE 3 do veículo

- Aperte o botão da perna de suporte (I) e retraia a perna de suporte (R) para a posição mais curta.
- Deslize o botão de desbloqueio da barra dianteira (C) e dobre a barra dianteira (D) em direção a uma cadeira auto para aliviar a tensão contra o banco do veículo.
- Desconecte os conectores ISOFIX (Y) pressionando para baixo os botões ISOFIX (X) e depois deslize-os para trás, afastando-os do banco do veículo.
- Continue a segurar a barra dianteira (D) com uma mão e agarre a pega traseira (O) com a outra mão a fim de retirar a sua AXKID ONE 3 do veículo.
- Dobre a perna de suporte (R) puxando alça de desbloqueio da perna de suporte (Q) e dobrando a perna de suporte (R) para cima.

## Cuidados e manutenção

- A capa têxtil da cadeira pode ser removida e lavada na máquina de lavar a 30°C no programa "ciclo delicado". Não coloque a capa numa máquina de secar, porque pode danificar a capa e o enchimento pode separar-se do tecido. Visite [www.axkid.com](http://www.axkid.com) para encontrar vídeos que explicam como remover e colocar a capa.
- Para retirar a capa têxtil da cadeira, puxe a capa lateral (L) para fora e solte o ilhó do tecido. Abra os botões no encosto e retire cuidadosamente a capa da cadeira. Abra os zíperes da parte traseira e retire suavemente a capa da cadeira auto. Observe atentamente a forma como está colocada ao redor da cadeira para facilitar a sua recolocação. Ao reinstalar a capa lateral (L), introduza-a por baixo da estrutura de alumínio e empurre-a de volta à sua posição de encaixe. Para remover a capa do apoio de cabeça, abra os fechos e os botões na parte inferior do apoio de cabeça e na capa almofadada traseira e remova cuidadosamente a capa.
- Se as capas da cadeira tiverem de ser substituídas assegure-se que usa apenas produtos originais de Axkid. Se forem usados outros produtos, o sistema de segurança da AXKID ONE 3 pode ser comprometido e causar ferimentos graves em caso de acidente.
- Todas as peças de plástico da cadeira auto AXKID ONE 3 podem ser limpas com detergente suave e água. Não utilize produtos químicos agressivos que contenham solventes, etc., pois isto pode danificar o plástico e comprometer a segurança do sistema de retenção para crianças.
- Todos os materiais utilizados na cadeira auto AXKID ONE 3 são recicláveis e devem ser reciclados de acordo com sua legislação local. Pergunte no seu centro de reciclagem local para obter informações sobre a reciclagem deste produto.
- O indicador sonoro (S) contém uma pilha CR1632 substituível. Por favor, retire e recicle a bateria de acordo com a sua legislação local quando a cadeira auto AXKID ONE 3 deixar de ser utilizada. Desaparafuse os dois parafusos na parte inferior da perna de suporte (R) e retire a capa para ter acesso à bateria.
- Não faça quaisquer modificações ou alterações na cadeira auto AXKID ONE 3, além daquelas descritas neste manual de instruções.
- Qualquer reparação deve ser realizada pelo fabricante ou revendedor.

# Garantia

A cadeira AXKID ONE 3 está coberta por uma garantia de 24 meses a partir da data de compra. Certifique-se de guardar o seu recibo e levá-lo ao seu local de compra caso deseje realizar uma reclamação de garantia.

A garantia não cobre:

- Desgaste normal de uso
- Danos devidos a uso incorreto, negligência ou acidente.
- Reparações efetuadas por um terceiro
- Todos os materiais utilizados têm alta resistência aos raios UV. No entanto, a luz da radiação solar é muito agressiva e conduzirá ao desbotamento da capa da cadeira. Isto não está coberto pela nossa garantia, uma vez que é considerado desgaste normal de uso.
- Manuseie a cadeira auto com cuidado. Note que o tecido da malha traseira se desfia facilmente. Os danos que não sejam originais de fábrica, não serão cobertos pela garantia.

## Reciclagem da cadeirinha do carro



Axkid recomenda enfaticamente a reciclagem de assentos de carros antigos. Antes de deixar o assento na estação de reciclagem local, corte as correias do arnês do assento, remova a capa de tecido, remova o máximo de peças de isopor possível, separe as peças de metal e de plástico, se possível. A parte principal do assento deve ser marcada como insegura ou vencida (use um marcador) para impedir que alguém o use novamente. Verifique as diretrizes municipais locais para obter instruções de reciclagem para os diferentes materiais.

# Vă mulțumim pentru faptul că ați ales scaunul auto pentru copii AXKID ONE 3.

Citiți manualul de instrucțiuni înainte de a instala scaunul AXKID ONE 3 în mașină. Pentru mai multe informații și instrucțiuni video vizitați site-ul [www.axkid.ro](http://www.axkid.ro) sau [www.axkid.com](http://www.axkid.com).

Scaunul auto rear-facing **AXKID ONE 3** este aprobat pentru copii cu o înălțime între 61-125 cm și până la greutatea de maxim 23 kg. Scaunul auto rear-facing **AXKID ONE+ 3** este aprobat pentru copii cu o înălțime între 40-125 cm și până la greutatea de maxim 23 kg.

Acesta este un sistem de siguranță i-Size. El este aprobat în conformitate cu Regulamentul UN Nr. 129, i-SIZE. Instalați scaunul în mașină în conformitate cu specificațiile producătorului menționate în manualul de utilizare. Dacă aveți vreo nelămurire, luați legătura cu reprezentantul Axkid România sau cu magazinul de unde l-ați cumpărat, pentru a primi indicații pentru o instalare corectă.

## Informații importante

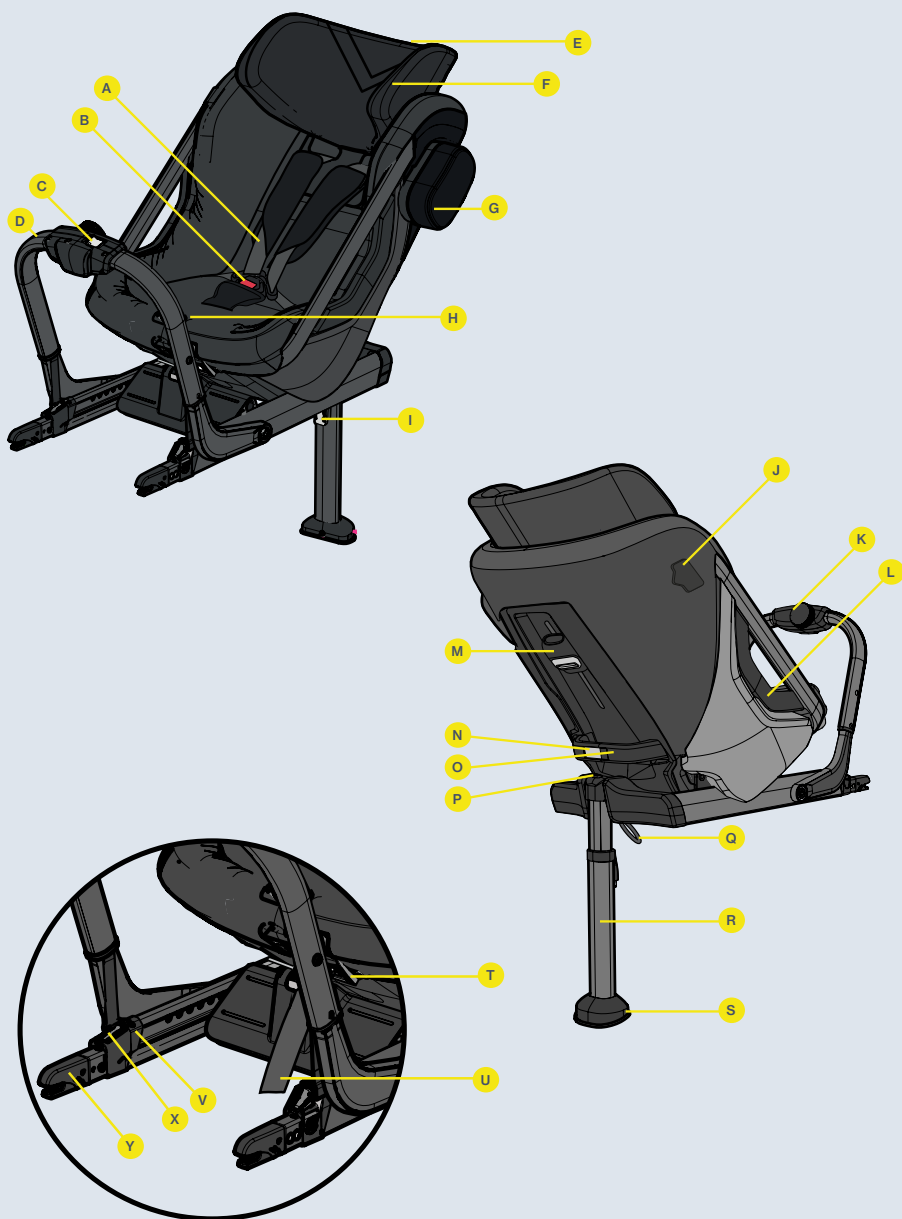
Pentru a crește gradul de siguranță al copilului dumneavoastră, vă rugăm să luați în considerare următoarele:

- Urmați întotdeauna instrucțiunile din acest manual de utilizare. Instalarea incorectă poate pune în pericol siguranța copilului. Dacă aveți vreo nelămurire, vă rugăm să luați legătura cu magazinul de unde l-ați cumpărat, pentru a primi indicații pentru o instalare corectă.
- Pentru cea mai recentă versiune a manualului de utilizare, vizitați [www.axkid.com/manuals](http://www.axkid.com/manuals).
- Niciodată să nu instalați scaunul auto pentru copii într-un loc în care este activat un airbag frontal.
- În cazul în care ați fost implicat într-un accident, oricât de mic ar fi acesta, scaunul auto trebuie înlocuit. Poate avea defecțiuni care nu se văd, ce pot pune în pericol siguranța copilului. Din această cauză, Axkid nu recomandă achiziționarea unui scaun auto care a fost deja utilizat.
- Dacă scaunul auto AXKID ONE 3 a fost expus la soare, înainte să așezați copilul, asigurați-vă că scaunul nu este fierbinte.
- Nu vă lăsați niciodată copilul nesupravegheat în mașină.
- Asigurați-vă că orice bagaj sau alte obiecte libere sunt bine securizate în interiorul mașinii, deoarece în caz de coliziune acestea pot cauza leziuni grave pasagerilor.
- Asigurați-vă că scaunul auto este instalat în așa fel încât nicio parte din el nu este prinsă între scaune sau portiere.
- Scaunul auto AXKID ONE 3 poate fi instalat exclusiv rear-facing.
- Asigurați-vă întotdeauna că centurile sunt reglate în așa fel încât să se fixeze perfect pe corpul copilului. Centurile se reglează mișcând suportul de pe tetieră.
- Asigurați-vă că spatele copilului este împins în scaun în momentul în care strângeți centurile.
- Asigurați-vă întotdeauna că centurile sunt bine fixate în jurul copilului, iar catarama este blocată, astfel încât chingile să nu poată fi ciupite.
- Asigurați-vă că centurile nu sunt răsucite.
- Asigurați-vă întotdeauna că piciorul de sprijin este în poziția corectă și este ferm fixat în podeaua mașinii. Verificați dacă indicatorul din partea de sus a piciorului de sprijin este verde și că indicatorul audio de instalare al piciorului de sprijin nu mai țiuie.
- Nu faceți nicio modificare scaunului auto AXKID ONE 3. Veți pierde garanția, iar siguranța oferită de scaunul AXKID ONE 3 va fi afectată.
- NU utilizați niciodată scaunul auto AXKID ONE 3 fără husa textilă. Husa reprezintă un element de siguranță și poate fi înlocuită doar cu o husă originală de la Axkid.
- Consultați manualul de instrucțiuni al autovehiculului pentru a vedea pe ce locuri din mașină puteți instala scaunul auto pentru copii.
- Axkid recomandă să folosiți întotdeauna o protecție de banchetă pentru a proteja bancheta mașinii de zgârieturi și pete.
- Dacă aveți vreo nelămurire, luați legătura cu reprezentantul Axkid România sau cu magazinul de unde l-ați cumpărat.

# Cuprins

Piese componente	134
Instalări permise și interzise ale scaunului auto AXKID ONE 3	136
Instalarea scaunului auto AXKID ONE 3 în mașină	137
Fixarea copilului în scaunul auto AXKID ONE 3	138
Reglarea scaunului	139
Reglarea scaunului auto AXKID ONE 3	139
Demontarea scaunului auto AXKID ONE 3 din mașină	140
Ingrijire și întreținere	140
Garanție	141

# Piese componente



A	Centuri integrate
B	Butonul de deschidere a cataramii
C	Butonul de eliberare a barei frontale
D	Bara frontală
E	Tetiera
F	Indicatorii nivelului ochiului
G	Tampon de impact lateral ASIP
H	Clapetă de ajustare a înclinării
I	Butonul piciorului de sprijin
J	Conectorul ASIP
K	Clapeta barei frontale
L	Laterala husei textile

M	Butonul de reglare a tetierei
N	Butonul de ajustare a spațiului de la picioare
O	Mânerul spătarului
P	Indicatorul poziției piciorului de sprijin
Q	Cureaua de eliberare a piciorului de sprijin
R	Piciorul de sprijin
S	Indicatorul audio
T	Clapeta de eliberare a centurilor
U	Cureaua pentru tensionarea centurilor
V	Indicatorii de blocare a sistemului ISOFIX
X	Clapetele ISOFIX
Y	Conectorii ISOFIX

# Instalări permise și interzise ale scaunului auto AXKID ONE 3

Scaunul auto AXKID ONE 3 poate fi instalat **exclusiv rear-facing** cu ajutorul sistemului ISOFIX. Este omologat pentru a putea fi utilizat pe toate scaunele pentru pasageri aprobate pentru i-Size, dar se poate potrivi de asemenea, și pe alte scaune pentru pasageri care nu sunt aprobate pentru i-Size dar sunt prevăzute cu sistem ISOFIX.

Verifică instrucțiunile din manualul de utilizare a autovehiculului pentru a afla pozițiile de ședere potrivite și consultă lista cu autovehiculele compatibile pe [www.axkid.ro](http://www.axkid.ro).

Scaunul din față al pasagerului cu ISOFIX (fără airbag activ)	DA/NU*
Scaunul din față al pasagerului cu ISOFIX (airbag activ)	NU
Scaunul din spate al pasagerului cu ISOFIX	DA
Scaunele orientate în lateral și cele orientate cu spatele cu ISOFIX	NU
Scaunele fără ISOFIX	NU



**IMPORTANT:** Dacă doriți să instalați scaunul auto AXKID ONE 3 într-un loc unde este instalat un airbag frontal, atunci airbagul trebuie deconectat în conformitate cu instrucțiunile producătorului auto. Aveți în vedere faptul că în cazul anumitor modele de mașini, airbag-ul trebuie dezactivat la un service autorizat.

\* Regulamentul General de circulație din Spania, în art. 117, interzice circulația copiilor cu înălțime mai mică sau egală cu 135 cm pe locul din față al mașinii, fără nicio excepție.



Nu instalați niciodată un scaun pentru copii într-un scaun de pasager dacă airbag-ul este activ.







# Instalarea scaunului auto AXKID ONE 3 în mașină

1

Înainte de a instala scaunul auto AXKID ONE 3 în mașină reduceți-i mărimea eliberând butonul de ajustare a spațiului de la picioare (N) și glisați scaunul către bara frontală (D). Lăsați în jos piciorul de sprijin (R) până când auziți un „click”, iar indicatorul piciorului de sprijin (P) se face verde.

2

Apăsați butonul de eliberare a barei frontale (C) și îndoiți bara frontală (D) spre scaun. Țineți bara frontală (D) cu o mână și prindeți mânerul spătarului (O) cu cealaltă mână. Introduceți scaunul auto AXKID ONE 3 în mașină cu bara frontală (D) înainte, după care îl poziționați cu spatele la sensul de mers.

3

Apăsați conectorii ISOFIX (Y) în conectorii ISOFIX ai mașinii până când auziți un „click” și ambii indicatori ISOFIX (V) devin verzi.

4

Dați drumul barei frontale (D) care va începe să se tensioneze pe bancheta mașinii. Când se oprește, rotiți clapeta barei frontale (K) în sensul acelor de ceasornic până când simțiți și auziți un „click”. Acum, bara frontală ar trebui să fie tensionată ferm pe bancheta mașinii. Clapeta barei frontale (K) are un limitator de cuplu, iar acel „click” indică faptul că bara frontală (D) este corect tensionată și nu se poate tensiona mai mult.

5

Apăsați butonul piciorului de sprijin (I) și trageți piciorul în jos până când atinge podeaua mașinii. Lăsați liber butonul piciorului de sprijin (I) și ridicați scaunul auto pentru a permite piciorului suport (R) să se extindă până când auziți un click. Acum piciorul de sprijin (R) ar trebui să fie blocat și împins ferm în podeaua mașinii. Notă: Scaunul auto AXKID ONE 3 este dotat cu un semnal sonor (S) care va continua să țuie până când piciorul de sprijin (R) este ferm ancorat în podeaua mașinii, indicând instalarea corectă a acestuia.

6

Apăsați tamponul de impact lateral ASIP (G) în slotul conectorului ASIP (J) și glisați-l în sus. Tamponul de impact lateral ASIP (G) va intra în slot. Dacă conectorul ASIP (J) este înfășurat într-o husă de plastic, îndepărtați-o și așezați conectorul ASIP (J) pe partea opusă a scaunului înainte de a monta tamponul de impact lateral (G). Asigurați-vă că tamponul de impact lateral ASIP (G) este poziționat cel mai aproape de portiera mașinii.



# Fixarea copilului în scaunul auto AXKID ONE 3

Înainte de a așeza copilul în scaunul auto AXKID ONE 3, asigurați-vă că aveți pernele insert potrivite instalate pe scaun. AXKID ONE 3 este conceput în așa fel încât să crească odată cu copilul dumneavoastră, asigurându-i confort și siguranță.

Axkid recomandă utilizarea pernelor insert potrivite, până în momentul în care nu strâng prea tare copilul, dar în conformitate cu dimensiunile prezentate în tabelul de mai jos (vârsta este orientativă).

Vârsta	Înălțimea	
Bebeluş (0 – 6 luni) Doar în cazul AXKID ONE+ 3	0 – 60 cm	
Copil mic (0 – 3 ani)	61 – 105 cm	
Copil 3-7 ani	105 – 125 cm	

7

Eliberați centurile apăsând clapeta de eliberare a centurilor (T) și trageți centurile (A) concomitent. Evitați să trageți de o singură centură, deoarece centurile (A) pot deveni inegale.

8

Deschideți catarama apăsând butonul de deschidere a cataramii (B) și desfaceți centurile.

9

Așezați copilul în scaun și poziționați centurile (A) în jurul umerilor copilului. Blocați centurile împreunând mai întâi limbile centurilor (A), după care le introduceți în cataramă până când auziți un click.

10

Reglați tetiera (E) astfel încât indicatorii nivelului ochiului (F) de pe tetieră să fie la același nivel cu ochii copilului. Apăsăți ambele butoane de reglare a tetierei (M) și glisați în sus și în jos. Notă: Indicatorii nivelului ochiului (F) nu ar trebui folosiți atunci când utilizați perna insert pentru bebeluş (AXKID ONE+ 3). Când folosiți AXKID ONE+ 3 pentru copii, asigurați-vă întotdeauna că tetiera este în poziția cea mai joasă.

11

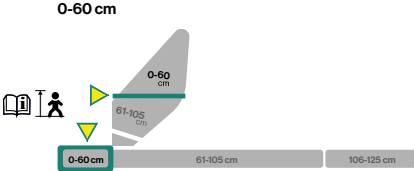
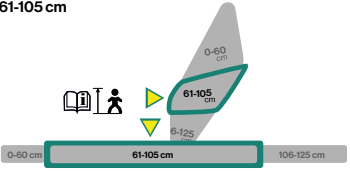
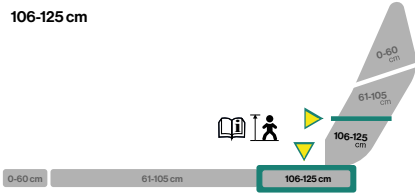
Verificați ca centurile integrate (A) să fie așezate direct pe umerii copilului sau maxim 1 cm mai sus. Apoi trebuie să reglați din nou tetiera (E) chiar dacă pare că indicatorii nivelului ochiului nu mai sunt la același nivel cu ochii copilului. Acum trageți centurile integrate (A) astfel încât să tensionați centura peste șoldurile copilului. În timp ce țineți centurile (A) tensionate, trageți curea pentru tensionarea centurii (U), până când centura este suficient de strânsă, astfel încât să nu încapă mai mult de un deget între centurile integrate (A) și umerii copilului.



## Reglarea scaunului

După ce scaunul auto AXKID ONE 3 a fost instalat în mașină, poți regla cu ușurință spațiul de la picioare și pozițiile de înclinare pentru copil. Acest lucru poate fi făcut și când copilul este fixat în scaun.

Pentru a asigura o poziție perfectă în orice mașină și siguranță sporită pentru copil, Axkid recomandă cu tărie să folosiți pozițiile marcate pe partea laterală a scaunului auto. Pe măsură ce copilul crește, este foarte important să păstrați scaunul într-o poziție cât mai verticală. În cazul unui accident, această poziție îi va oferi cea mai bună protecție gâtului copilului. Indicația de mărime se bazează pe lungimea copilului. Asigurați-vă că ambele săgeți se află în zona corectă.

Vârsta	Reglarea	
Bebeluş 0 - 6 luni (AXKID ONE+ 3 only)	Înclinare maximă Spațiu minim la picioare	
Copil mic 0 - 3 ani	Toate pozițiile de înclinare Diverse poziții pentru spațiul de la picioare	
Copil 3 - 7 ani	Cea mai verticală poziție cu puțină Spațiu maxim la picioare	

## Reglarea scaunului auto AXKID ONE 3

- Spațiul de la picioare este ajustat prin eliberarea butonului de ajustare a spațiului de la picioare (N) și glisarea scaunului în față și în spate. Pentru a evita ca scaunul auto AXKID ONE 3 să alunece accidental în față, apăcați mânerul spătarului (O) și trageți-l ușor înapoi, înainte de a elibera butonul de ajustare a spațiului de la picioare (N).
- Poziția de înclinare a scaunului auto poate fi reglată prin rotirea clapetei de ajustare a înclinării (H).



# Demontarea scaunului auto AXKID ONE 3 din mașină

- Apăsăți butonul piciorului de sprijin (I) și coborâți piciorul de sprijin (R) la cea mai scurtă poziție a sa.
- Glisați butonul de eliberare a barei frontale (C) și îndoiți bara frontală (D) înspre scaun pentru a detensiona scaunul auto.
- Deconectați conectorii ISOFIX (Y) apăsând clapetele ISOFIX (X) și apoi glisați-le înapoi, în afara scaunului auto.
- Țineți în continuare cu o mână bara frontală (D), iar cu cealaltă mână apucați mânerul spătarului și scoateți scaunul auto AXKID ONE 3 din mașină.
- Pliăți piciorul de sprijin (R) trăgând cureaua de eliberare a piciorului de sprijin (Q) și trageți-l în sus.

## Îngrijire și întreținere

- Husa scaunului poate fi spălată la mașina de spălat la 30° C, la programul pentru rufe delicate. Nu puneți husa într-un uscător de rufe, deoarece aceasta se poate deteriora și umplutura se poate separa de țesătură. Vizitați [www.axkid.ro](http://www.axkid.ro) sau [www.axkid.com](http://www.axkid.com) pentru a găsi videoclipuri care explică cum să scoateți și să puneți la loc husa.
- Pentru a scoate husa textilă de pe scaun, trageți spre exterior de husa laterală (L) și detașați ochiul textilului. Deschideți butoanele spătarului și scoateți ușor husa de pe scaun. Desfaceți fermoarul de la tetieră și scoateți cu grijă husa de pe scaun. Fiți atenți la modul în care este montată husa pe scaun pentru a vă fi ușor să o puneți la loc. Când puneți la loc laterala husei textile (L), introduceți-o sub cadrul de aluminiu și pur și simplu împingeți pentru fixare. Pentru a scoate husa tetierei, deschideți fermoarele și butoanele din partea de jos a tetierei și husa căptușită din spate și scoateți ușor husa.
- În cazul în care trebuie înlocuită husa textilă, asigurați-vă că folosiți doar produse originale de la Axkid. Dacă utilizați alte produse, siguranța scaunului auto AXKID ONE 3 poate fi compromisă și ar putea duce la rănire gravă în cazul unui accident.
- Toate piesele din material plastic ale scaunului AXKID ONE 3 pot fi curățate cu detergent slab și apă. Nu folosiți produse chimice agresive care conțin solvenți, deoarece acest lucru poate duce la deteriorarea materialului plastic și compromite siguranța scaunului pentru copii.
- Toate materialele utilizate la fabricarea scaunului AXKID ONE 3 sunt reciclabile și este necesar să le reciclați conform legislației locale în vigoare. Adresați-vă centrului de reciclare local pentru sfaturi atunci când reciclați acest produs.
- Indicatorul audio (S) conține o baterie CR1632 care se poate înlocui. După ce nu veți mai folosi scaunul auto AXKID ONE 3, vă rugăm să scoateți bateria și să o reciclați conform legislației locale în vigoare. Deșurubați cele două șuruburi din partea de jos a piciorului de sprijin (R) și scoateți capacul pentru a avea acces la baterie.
- Nu faceți nici o modificare sau transformare a scaunului AXKID ONE 3, altele decât cele descrise în acest manual de utilizare. Urmați instrucțiunile din acest manual cu atenție.
- Orice reparație trebuie să fie efectuată de către producător sau de către un distribuitor autorizat.

# Garanție

! Scaunul auto AXKID ONE 3 este acoperit de o garanție de 24 luni de la data cumpărării. Păstrați factura și prezentați-o furnizorului dumneavoastră împreună cu scaunul auto în cazul în care descoperiți o neconformitate.

Garanția nu acoperă:

- Uzura cauzată de o folosire normală;
- Daunele cauzate de utilizarea incorectă, neglijență sau accident;
- În cazul în care reparațiile au fost efectuate de către o terță parte.
- Toate materialele folosite respectă standarde foarte ridicate de rezistență la radiațiile ultraviolete. Cu toate acestea, radiațiile UV sunt foarte agresive și vor duce în cele din urmă la decolorarea materialului scaunului. Acest lucru nu este acoperit de garanția noastră, deoarece este considerată uzură normală.
- Mânuiți scaunul cu grijă. Rețineți că protecția din spatele scaunului se zgârie ușor iar daunele cauzate din alte motive, în afara defectelor din fabrică, nu sunt acoperite de garanție.

## Reciclarea scaunului auto



Axkid recomandă insistent reciclarea scaunelor auto vechi. Înainte de a părăsi scaunul la stația de reciclare locală, tăiați curelele hamului de pe scaun, îndepărtați husa textilă, îndepărtați cât mai multe părți din spumă de polistiren, separați părțile metalice și din plastic dacă este posibil. Partea principală a scaunului ar trebui să fie marcată ca nesigură sau expirată (folosește un marker) pentru a descuraja pe oricine să-l folosească din nou. Vă rugăm să verificați regulile municipale locale pentru instrucțiuni de reciclare pentru diferitele materiale.

# شكرًا لك على اختيار مقعد AXKID ONE 3

اقرأ كتيب الإرشادات هذا قبل تركيب مقعد السيارة AXKID ONE 3 في سيارتك. للحصول على المزيد من المعلومات ومشاهدة مقاطع فيديو حول عملية التركيب، قم بزيارة [www.axkid.com](http://www.axkid.com).

مقعد السيارة AXKID ONE 3 هو مقعد سيارة مواجه للخلف معتمد للأطفال الذين يتراوح طولهم بين 61-125 سم أو بحد أقصى للوزن 23 كجم.

مقعد السيارة AXKID ONE +3 عبارة عن مقعد مواجه للخلف معتمد للأطفال الذين يتراوح طولهم بين 40 و125 سم أو الذين يبلغ أقصى وزن لهم 23 كجم.

هذا نظام تثبيت أطفال i-Size محسن. وهو معتمد وفقًا للاتحاد الأوروبي رقم 129 للاستخدام في أماكن الجلوس بالسيارة المتوافقة مع نظام i-Size على النحو المحدد من قبل شركات تصنيع السيارات في دليل المستخدم الخاص بالسيارة. في حالة الشك، استشر الشركة المصنعة لنظام تثبيت الأطفال المحسن ([www.axkid.com](http://www.axkid.com)) أو البائع.

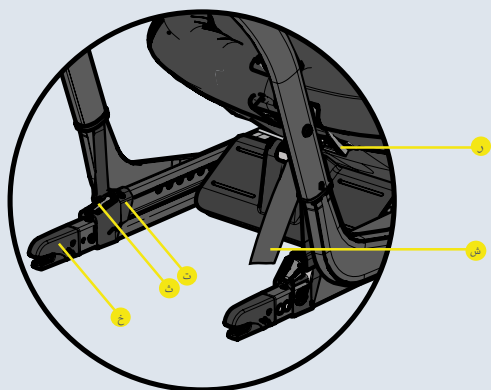
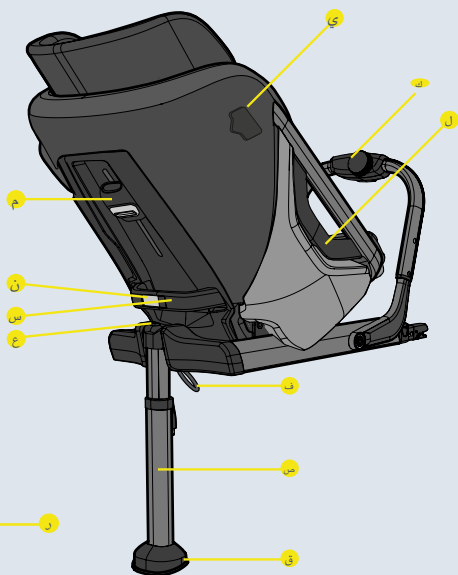
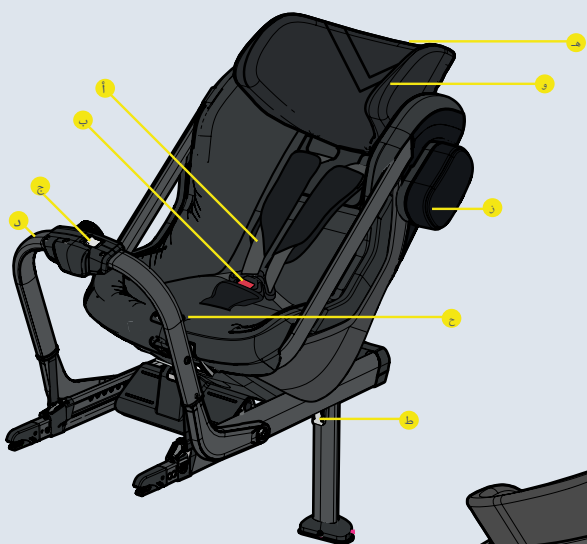
## معلومات مهمة

- زيادة سلامة طفلك، من المهم مراعاة ما يلي:
- اتبع دائمًا الإرشادات الواردة في هذا الكتيب. قد يؤثر التركيب غير الصحيح على سلامة طفلك بدرجة خطيرة. إذا لم تكن متأكدًا من أي خطوة أو إجراء، فاتصل بالبائع الذي سيكون بإمكانه توضيح طريقة التركيب السليمة.
- للحصول على أحدث إصدار من دليل المستخدم، تفضل بزيارة [www.axkid.com/manuals](http://www.axkid.com/manuals).
- لا تستخدم مقعد السيارة AXKID ONE 3 في موضع جلوس يحتوي على وسادة هوائية أمامية نشطة. إذا كنت لا تزال ترغب في تركيب مقعد السيارة
- AXKID ONE 3 في هذا الموضع، يجب إيقاف تشغيل الوسادة الهوائية وفقًا لإرشادات الشركة المصنعة للسيارة. في حالة التعرض لحادث، مهما كان بسيطًا، يجب دائمًا تغيير مقعد السيارة. فقد يتعرض المقعد لتلف غير مرئي وقد يؤثر ذلك على سلامة طفلك بدرجة خطيرة. لهذا السبب، لا توصي Axkid بشراء مقاعد سيارة مستعملة.
- في حالة تعرض مقعد السيارة AXKID ONE 3 لضوء الشمس المباشر، تأكد من عدم سخونة مقعد السيارة بدرجة كبيرة للغاية قبل تثبيت طفلك.
- لا تترك طفلك مطلقًا في السيارة بمفرده دون مراقبته.
- تأكد من إحكام تثبيت أي أمتعة أو أغراض غير مثبتة في سيارتك نظرًا لأنها قد تتسبب في حدوث إصابات للركاب في حالة وقوع حادث.
- تأكد من تركيب مقعد السيارة AXKID ONE 3 بطريقة لا تصبح معها أي أجزاء عالقة بفعل المقاعد المتحركة، وأبواب السيارة، إلى غير ذلك.
- لا يمكن تركيب مقعد السيارة AXKID ONE 3 سوى في وضع مواجه للخلف.
- تأكد دائمًا من ضبط حمالة الأمان لملاءمة جسم طفلك بصورة صحيحة. يتم ضبط حمالة الأمان بتحريك دعامة الرأس.
- تأكد من توجيه ظهر الطفل نحو مقعد السيارة عند تثبيت طفلك باستخدام حمالة الأمان.
- تأكد دائمًا من ربط حمالة الأمان بإحكام على طفلك ومن قفل الإيزيم بالكامل، ويجب ألا يكون بإمكانك قرص الأشرطة.
- تأكد من عدم وجود التواء في حمالة الأمان.
- تأكد دائمًا من ضبط ساق الدعم في مكانها الصحيح وملاستها لأرضية السيارة. تأكد من أن المؤشر الموجود أعلى ساق الدعم يضيء باللون الأخضر ومن عدم سماعك لأي صوت صافرة من قدم ساق الدعم.
- لا تحاول تفكيك أو تعديل أي جزء من أجزاء مقعد السيارة AXKID ONE 3. قد يتأثر الضمان وأداء سلامة مقعد السيارة AXKID ONE 3 في حالة القيام بذلك.
- يحظر تمامًا استخدام مقعد السيارة AXKID ONE 3 دون غطاءه المصنوع من القماش. فغطاء المقعد المصنوع من القماش هو ميزة سلامة ويجب عدم استبداله سوى بغطاء مقعد أصلي مصنوع من القماش من Axkid.
- اقرأ كتيب السيارة لمعرفة أماكن الجلوس المناسبة لهذا المقعد.
- توصي شركة Axkid باستخدام وافي المقعد دائمًا لحماية مقعد سيارتك من الخدوش والقاذورات.
- في حالة وجود أي شكوك، اتصل بالبائع الذي تم شراء مقعد السيارة منه أو اتصل بـ [info@axkid.com](mailto:info@axkid.com)

## جدول المحتويات

144	الأجزاء
	الأوضاع المسموحة وغير المسموحة
146	لمقعد السيارة AXKID ONE ٣
147	لتركيب مقعد السيارة AXKID ONE ٣ في السيارة
148	تثبيت طفلك في مقعد السيارة AXKID ONE ٣
149	عمليات ضبط المقعد
149	ضبط مقعد السيارة AXKID ONE ٣
150	فك مقعد السيارة AXKID ONE ٣ من سيارتك
150	العناية والصيانة
151	الضمان

# الأجزاء

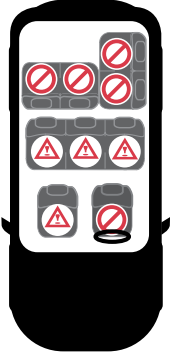




أشرطة الأكتاف (أ)	أزرار ضبط مسند الرأس (م)
زر تحرير الإبزيم (ب)	زر ضبط مساحة الساق (ن)
زر تحرير الدعامة الأمامية (ج)	مقبض الظهر (س)
الدعامة الأمامية (د)	مؤشر ضبط ساق الدعم (ع)
مسند الرأس (هـ)	شريط تحرير ساق الدعم (ف)
مؤشر مستوى العين (و)	ساق الدعم (ص)
وسادة ASIP (ز)	مؤشر الصوت (ق)
مقبض ضبط وضع الإمالة (ح)	زر تحرير حمالة الأمان (ر)
زر ساق الدعم (ط)	شريط شد حمالة الأمان (ش)
موصل نظام ASIP (ي)	مؤشرات قفل نظام ISOFIX (ت)
مقبض الدعامة الأمامية (ك)	أزرار نظام ISOFIX (ث)
الغطاء الجانبي (ل)	موصلات نظام ISOFIX (خ)

# الأوضاع المسموح بها وغير المسموح بها لمقعد السيارة AXKID ONE ٣

لا يمكن تركيب مقعد السيارة AXKID ONE ٣ سوى في وضع مواجه للخلف باستخدام نظام ISOFIX. وهو معتمد للاستخدام في كل أماكن الجلوس الحاصلة على اعتماد i-Size لكن قد يكون مناسباً أيضاً للاستخدام في أماكن جلوس أخرى تستخدم نظام ISOFIX وغير حاصلة على اعتماد i-Size. راجع كتيب إرشادات سيارتك لمعرفة أماكن الجلوس المناسبة وراجع قائمة السيارات على [www.axkid.com](http://www.axkid.com)



مقعد الراكب الأمامي مع نظام ISOFIX (دون وسادة هوائية نشطة)	نعم/لا*
مقعد الراكب الأمامي مع نظام ISOFIX (وسادة هوائية نشطة)	NO
مقعد الراكب الخلفي مع نظام ISOFIX	نعم
المقاعد المواجهة للجانب والخلف مع نظام ISOFIX	NO
المقاعد دون نظام ISOFIX	NO

ملاحظة مهمة: إذا كنت تريد تركيب مقعد السيارة AXKID ONE ٣ في موضع مركب به وسادة هوائية أمامية، يلزم فصل الوسادة الهوائية وفقاً لإرشادات الشركة المصنعة لسيارتك. لاحظ أن بعض السيارات تتطلب استخدام مركز خدمة معتمد لفصل الوسادة الهوائية.

\* تنص اللائحة العامة للتعريف في أسبانيا، في فقرتها رقم ١١٧، على حظر القيادة مع وجود أطفال بقامة تصل إلى أو تقل عن ١٣٥ سم في المقاعد الأمامية للسيارة، دون استثناءات.



يحظر تمامًا تركيب مقعد تثبيت الأطفال في أي مقعد راكب يحتوي على وسادة هوائية نشطة.





# لتركيب مقعد السيارة AXKID ONE ٣ في السيارة

1 قبل تركيب مقعد السيارة AXKID ONE ٣ في سيارتك، قلل حجمه بتحريك زر ضبط مساحة الساق (ن) وقم بإمالة المقعد باتجاه الدعامة الأمامية (د). قم بطي ساق الدعم (ص) لأسفل إلى أن يتم سماع صوت نقرة ويتحول مؤشر موضع ساق الدعم (ع) إلى اللون الأخضر.

2 حرر زر تحرير الدعامة الأمامية (ج) وقم بطي الدعامة الأمامية (د) نحو المقعد. واصل الضغط على الدعامة الأمامية (د) بإحدى اليدين وأمسك مقبض الظهر (س) باليد الأخرى وارفع مقعد السيارة AXKID ONE ٣ في سيارتك من الدعامة الأمامية (د) أولاً ثم لفه إلى وضع مواجه للخلف.

3 ادفع موصلات نظام ISOFIX (خ) في نقاط توصيل نظام ISOFIX في السيارة إلى أن تسمع صوت نقرة ويتحول كلا مؤشري قفل نظام ISOFIX (ت) إلى اللون الأخضر.

4 حرر الدعامة الأمامية (د) التي ستبدأ في ضغط نفسها على مقعد السيارة. عندما تتوقف، لف مقبض الدعامة الأمامية (ك) في اتجاه عقارب الساعة إلى أن تشعر وتسمع صوت نقرة. يجب أن تكون الدعامة الأمامية (د) الآن مضغوطة بقوة على مقعد السيارة. يحتوي مقبض الدعامة الأمامية (ك) على محدد عزم مضمن وتشير النقرة إلى ربط الدعامة الأمامية (د) بصورة صحيحة وعدم إمكانية ربطها أكثر من هذا.

5 اضغط على زر ساق الدعم (ط) واسحب ساق الدعم (ص) لأسفل إلى أن تلامس أرضية السيارة. حرر زر ساق الدعم (ط) وارفع مقعد السيارة لأعلى لزيادة إطالة ساق الدعم (ص) إلى أن تسمع صوت نقرة. يجب أن تكون ساق الدعم (ص) مقفلة الآن ومضغوطة بقوة على أرضية السيارة. ملاحظة: مقعد السيارة AXKID ONE ٣ مجهز بمؤشر صوت صافرة (ق) والذي سيواصل الصفير إلى أن يتم ضغط ساق الدعم (ص) بقوة على الأرضية، مما يشير إلى التركيب الصحيح.

6 ادفع وسادة ASIP (ن) في الفتحات الموجودة على موصل ASIP (ي) وقم بالإزاحة لأسفل. ستسمع صوت تثبيت وسادة ASIP (ن) في مكانها. في حالة وجود غطاء بلاستيكي على موصل ASIP (ي)، قم بفكه ووضعه على موصل ASIP (ي) على الجانب المقابل للمقعد قبل تركيب وسادة ASIP (ن). تأكد من تركيب وسادة ASIP (ن) على جانب مقعد السيارة AXKID ONE ٣ الأقرب إلى باب السيارة.



# تثبيت طفلك في مقعد السيارة AXKID ONE 3

قبل تثبيت طفلك في مقعد السيارة AXKID ONE 3، تأكد من تركيب الجزء الداخلي الصحيح في المقعد. مقعد AXKID ONE 3 مصمم بحيث تزيد مساحته مع زيادة عمر طفلك ولضمان الملاءمة المريحة والأمنة لكل الأطفال. توجي شركة Axkid باستخدام الجزء الداخلي المناسب إلى أن يصبح ضيقاً للغاية على طفلك، لكن بحد أدنى للطول وفقاً للجدول أدناه (لاحظ أن السن مجرد مؤشر):

السن	الطول	
الطفل الرضيع 0-6 أشهر (مقعد AXKID ONE+3 فقط)	0 - 60 سم	
الطفل في مرحلة الحبو 0-3 سنوات	61 - 105 سم	
الطفل الصغير 3-7 سنوات	106 - 125 سم	

حرر حمالة الأمان بالضغط على زر تحرير حمالة الأمان (ر) واسحب للخارج كلا شريطي الكتف (أ) في الوقت نفسه. تجنب سحب شريط واحد فقط في كل مرة حيث قد يتسبب ذلك في عدم تساوي طول أشرطة الكتف (أ).

7

قم بفتح الإبزيم بالضغط على زر تحرير الإبزيم (ب) وضع الأشرطة خارج المقعد.

8

ضع طفلك في المقعد وضع أشرطة الكتف (أ) على كتف طفلك. اقل حمالة الأمان بوضع أجزاء الإبزيم المتصلة بأشرطة الكتف (أ) معاً أولاً ثم دفعها في الإبزيم إلى أن تسمع صوت نقرة.

9

اضبط مسند الرأس (هـ) إلى أن تصبح مؤشرات مستوى العين (و) متسقة مع عيني طفلك بالضغط على أزرار ضبط مسند الرأس (م) وقم بإزاحته لأعلى أو لأسفل. ملاحظة: يجب عدم استخدام مؤشرات مستوى العين (و) عند استخدام الجزء الداخلي الخاص بالطفل الرضيع (مقعد AXKID ONE+3 فقط). عند استخدام مقعد AXKID ONE+3 للأطفال الرضع، تأكد دائماً من وجود مسند الرأس في أدنى وضع.

10

تأكد من مرور أشرطة الأكتاف (أ) خلال المقعد بصورة مستقيمة من كتفي طفلك أو أعلاهما بمسافة 1 سم كحد أقصى. قد تحتاج إلى ضبط مسند الرأس (هـ) مرة أخرى، حتى إذا أدى ذلك إلى عدم توازي مؤشر مستوى العين مع عيني طفلك. اسحب الآن أشرطة الأكتاف (أ) لربط حمالة الأمان على وركي طفلك. مع مواصلة شد أشرطة الأكتاف (أ)، اسحب شريط شد حمالة الأمان (ش) إلى أن يتم ربط حمالة الأمان بدرجة كافية. يجب ألا يكون بإمكانك إدخال أكثر من إصبع واحد بين أشرطة الأكتاف (أ) وكتفي طفلك.

11



## عمليات ضبط المقعد

بعد تركيب مقعد السيارة AXKID ONE 3 في سيارتك يمكنك ضبط مساحة الساق وموضع إمالة طفلك بسهولة. يمكن القيام بذلك أيضا وطفلك مثبت في مقعد السيارة.

للتأكد من الملاءمة الصحيحة في كل السيارات وتوفير أفضل حماية لطفلك، توصي شركة Axxkid بشدة باستخدام الأوضاع التوجيهية المحددة على جانب مقعد السيارة. مع زيادة عمر طفلك وحجمه من المهم ضبط الإمالة إلى وضع أكثر استقامة لتوفير أفضل حماية ممكنة لعنق طفلك في حالة وقوع حادث. يعتمد مؤشر الحجم على طول طفلك. تأكد من أن كلا السهمين يشيران إلى المنطقة الصحيحة.

السن	الضبط	
الطفل الرضيع 0-6 أشهر (مقعد AXKID ONE+3 فقط)	أقصى إمالة أدنى مساحة للساق	<p>0-60 cm</p>
الطفل في مرحلة الحبو 0-3 سنوات	كل أوضاع الإمالة أوضاع مساحة ساق متعددة	<p>61-105 cm</p>
الطفل الصغير 3-7 سنوات	أقصى وضع مستقيم أقصى مساحة ساق	<p>106-125 cm</p>

## ضبط مقعد السيارة AXKID ONE 3

- يتم ضبط مساحة الساق عن طريق تحرير زر ضبط مساحة الساق (ن) وتحريك المقعد للأمام أو للخلف. تجنبًا لتحرك مقعد AXKID ONE 3 إلى الأمام دون قصد، أمسك مقبض الظهر (س) واسحبه برفق إلى الخلف قبل تحرير زر ضبط مساحة الساق (ن).
- يمكن ضبط وضع إمالة مقعد السيارة بلف مقبض ضبط وضع الإمالة (ح).



## فك مقعد السيارة AXKID ONE ٣ من سيارتك

- اضغط على زر ساق الدعم (ط) وقم بطي ساق الدعم (ص) إلى أقصر وضع له.
- حرّك زر تحرير الدعامة الأمامية (ج) وقم بطي الدعامة الأمامية (د) نحو المقعد لتحرير الشد على مقعد السيارة.
- أفضل موصلات ISOFIX (خ) بالضغط لأسفل على أزرار ISOFIX (ث) ثم قم بإزاحتها للخلف، بعيداً عن مقعد السيارة.
- واصل الضغط على الدعامة الأمامية (د) بإحدى اليدين وأمسك مقبض الظهر (س) باليد الأخرى وارفع مقعد السيارة AXKID ONE ٣ خارج السيارة.
- قم بطي ساق الدعم (ص) لأعلى عن طريق سحب شريط تحرير ساق الدعم (ف) وطي ساق الدعم (ص) لأعلى.

## العناية والصيانة

- يمكن غسل غطاء المقعد المصنوع من القماش في غسالة أوتوماتيكية في درجة حرارة 30 درجة مئوية مع ضبط الغسالة على دورة خفيفة. لا تضع الغطاء في مجفف الملابس نظراً لأنه قد يؤدي إلى إتلاف الغطاء فضلاً عن إمكانية انفصال البطانة عن القماش. قم بزيارة [www.axkid.com](http://www.axkid.com) للعثور على مقاطع فيديو توضح كيفية فك الغطاء وتركيبه.
- لخلع الغطاء المصنوع من القماش عن المقعد، اسحب الغطاء الجانبي (ل) للخارج وأفضل عروة القماش. افتح الأزرار الموجودة في مسند الظهر واحرص على خلع الغطاء عن المقعد برفق. افتح الزمامات المنزقة الموجودة في مسند الظهر وقم بفك الغطاء من المقعد برفق. قم بتدوين كيفية تركيبها حول المقعد لتسهيل إعادتها إلى مكانها مرة أخرى. عند إعادة تركيب الغطاء الجانبي (ل)، أدخله تحت الهيكل الألومنيوم وادفعه للخلف في وصلة تثبيته. لخلع غطاء مسند الرأس، افتح السحابات والأزرار الموجودة في الجانب السفلي لمسند الرأس والغطاء المبطن من الخلف، واحرص على خلع الغطاء برفق.
- في حالة الحاجة إلى استبدال غطاء المقعد، تأكد من استخدام المنتجات الأصلية الخاصة بشركة Axkid فقط. في حالة استخدام منتجات أخرى، قد يؤثر ذلك بالسلب على نظام السلامة الخاص بمقعد AXKID ONE 3 وقد تحدث إصابة خطيرة في حالة وقوع حادث.
- يمكن تنظيف أي أجزاء بلاستيكية بمقعد السيارة AXKID ONE 3 باستخدام سائل تنظيف خفيف وماء. لا تستخدم مواد كيميائية قوية تحتوي على مركبات مذيبة أو ما شابه نظراً لأنها قد تتسبب في إتلاف الأجزاء البلاستيكية والتأثير بالسلب على سلامة مقعد السيارة.
- تعد جميع المواد المستخدمة في مقعد AXKID ONE 3 قابلة لإعادة التدوير ويجب إعادة تدويرها وفقاً للوائح المحلية. اطلب المشورة من مركز إعادة التدوير المحلي لديك عند إعادة تدوير هذا المنتج.
- يحتوي مؤشر الصوت (ق) على بطارية CR1632 قابلة للاستبدال. يرجى فك البطارية وإعادة تدويرها وفقاً لتشريعات المحلي عند وجوب عدم استخدام مقعد السيارة AXKID ONE 3. قم بفك البرغيين الموجودين أسفل ساق الدعم (ص) وفك الغطاء حتى تتمكن من الوصول إلى البطارية مرة أخرى.
- لا تقم بإجراء أي تعديلات أو تغييرات في مقعد السيارة AXKID ONE 3 بخلاف تلك الموضحة في كتيب الإرشادات هذا.
- يجب إجراء كل أعمال الإصلاح بمعرفة الشركة المصنعة أو وكيلها.

## الضمان

مقعد السيارة 3 AXKID ONE مشمول بضمان لمدة ٢٤ شهراً من تاريخ الشراء. احرص على الاحتفاظ بالفاتورة واصطحبها معك إلى مكان الشراء في حالة وجود أي مشكلات مشمولة بالضمان.

لا يشمل الضمان:

- البلي والتلف العادي
- التلف الناتج عن الاستخدام غير الصحيح، أو الإهمال، أو الحوادث
- في حالة تنفيذ أعمال الإصلاح بمعرفة جهة خارجية
- جميع المواد المستخدمة تتسم بتصنيف مرتفع للغاية من حيث مقاومة الأشعة فوق البنفسجية. بيد أن ضوء الأشعة فوق البنفسجية هو ضوء قوي للغاية وسيؤدي في النهاية إلى بهتان غطاء المقعد. لا يغطي الضمان الخاص بنا هذا التلف نظراً لأنه يعتبر من أنواع البلي والتمزق الناتجة عن الاستخدام العادي.
- تعامل مع المقعد بحرص. لاحظ أن قماش شبكة الجانب الخلفي يندش بسهولة ولن يغطي الضمان أي تلفيات غير التلفيات الخاصة بالشبكة المعيبة من المصنع.

### لتلفط دعقم ريودت دعأ

تداعإ تطحم يف تدعاقلا فتر داغم لبق. فميدؤلا تاراي سلا دعاقم ريودت تداعإب تدشرب ديكس كأ فطرش يصوت يسيس عرلا عزجلا علق فمالع عضو بجي. نلكم أن ايكيسيسال البلاو فيندعجلا اناجالا لصرفا، فيلحجلا ريودتلا يجرى. عرأ فم ادختسا نم صخش يأ عجل (فمالع مدختسا) فيح الصرلا يهتنم وانمأ ريغ نمأ علق تدعاقلا نم قفلتجلا داوجلل ريودتلا تداعإ تاميلعت علق لوصحلل كعب تصاخلا فيلحجلا فينلبل ناداشرا! دعجارم



# Axkid ONE을 선택해 주셔서 감사합니다

www.axkidbaby.com을 방문해 더 많은 후방보기 카시트의 안전성에 대해 알아보세요.

**AXKID ONE 3 +는** 0-7세까지 40-125cm (0-23kg)까지 사용할 수 있는 후방보기 카시트입니다. (한국 KC 기준 0-18kg)

**AXKID ONE 3** 는 1-7세까지 61-125cm (0-23kg)까지 사용할 수 있는 후방보기 카시트입니다. (한국 KC 기준 0-18kg)

이 카시트는 UN Regulation No.129 에 따라 i-Size를 부여받은 제품입니다.

## 중요한 정보 및 주의사항

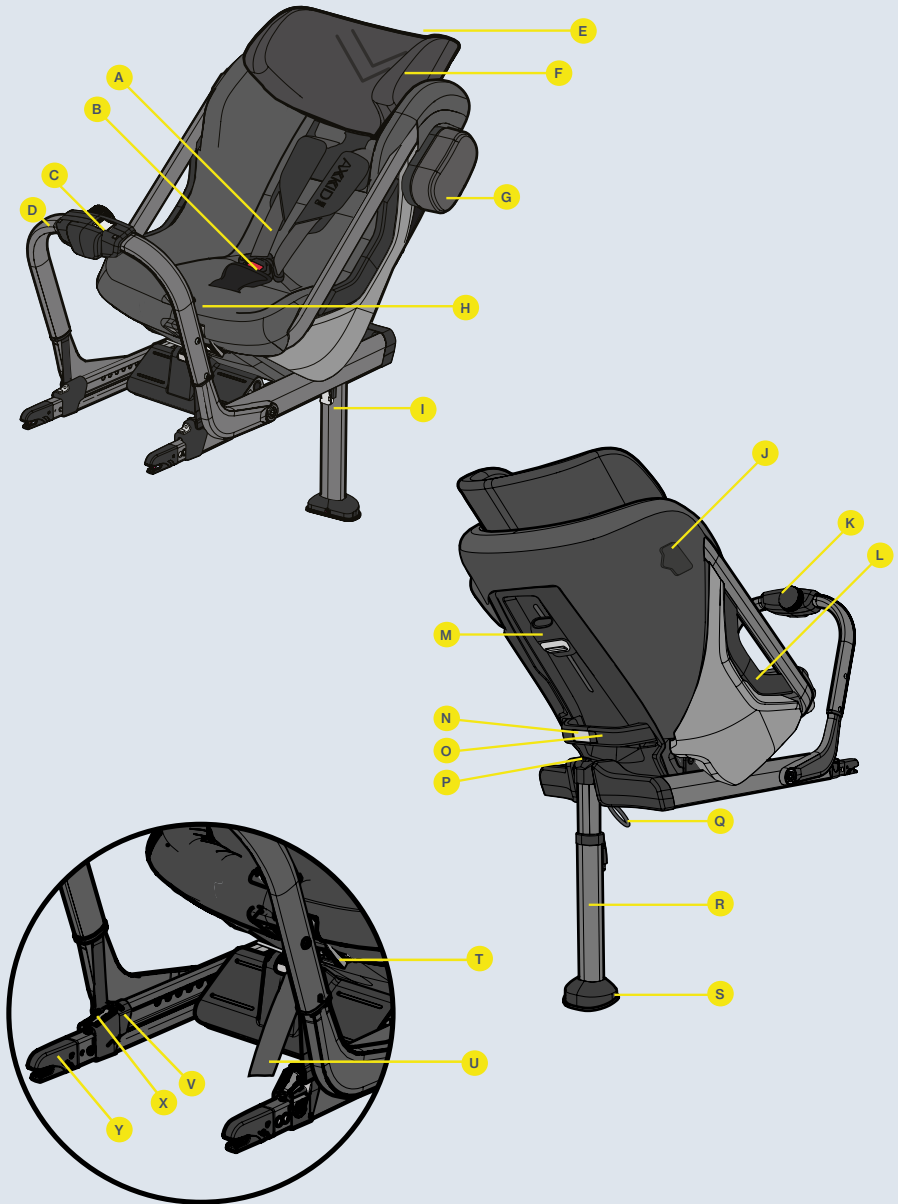
- 사용자 매뉴얼의 최신 버전은 [www.axkid.com/manuals](http://www.axkid.com/manuals) 을 참조하십시오.
- 카시트는 차량 문이나 차량 내부의 의자가 움직일 시 끼임이 없도록 설치해 주세요.
- 이 카시트는 오직 후방보기로만 설치 할 수 있습니다.
- 카시트의 안전벨트를 아기 체형에 맞게끔 잘 조절 해 주세요.
- 헤드레스트 높이 조절 시 안전벨트도 같이 조절해주세요.
- 안전벨트의 버클을 확실하게 고정해 주시고 안전벨트가 꼬집히지 않을 정도의 강도로 단단히 고정 해 주세요.
- 안전벨트가 꼬임이 없는 것을 확인하세요.
- 서포팅 레그가 차량의 바닥에 접지 되어있고 알맞은 위치에 고정되어있도록 해주세요.
- 서포팅 레그의 상단에 초록색 표시를 확인하시고, 알람 경고음이 들리지 않아야 합니다.
- 카시트를 자체적으로 변형하거나 수정하지 마세요. 안전성에 영향을 미칠 수 있습니다.
- 카시트 설치시 자동차 시트 보호매트를 함께 사용하여 스크래치나 먼지로부터 보호하세요.
- 차량 매뉴얼에 따른 올바른 카시트 설치 위치를 확인하세요.
- 허리벨트는 낮게 착용하여 골반이 견고하게 결속시켜 주세요.
- 임의로 개조, 변조 수리 하지마세요. 제품의 성능 및 안전성이 저해될 수 있으며, A/S를 받으실 수 없게 되오니 공식A/S센터로 문의하시기 바랍니다.
- 보호장치에 섬유 커버가 제공되지 않는 경우에는 보호장치를 직사광선에서 멀리해야 합니다. 그렇지 않으면 제품이 훼손되거나 어린이의 피부에 화상을 입을 수 있습니다.
- 어린이를 보호장치에 절대 홀로 남겨두지 마세요.
- 충돌시 부상을 일으킬 수 있는 화물이나 그 밖의 물체는 적절히 고정 해 주세요.
- 보호장치는 커버 없이 사용하지 않아야 합니다.
- 보호장치의 커버는 구속 성능의 일부분을 구성하기 때문에 제조업체에 의하여 권장된 것 이외의 다른 것으로 교체되지 않아야 합니다.
- 지시사항에 기술되고 보호장치에 표시된 것 이외의 하중 지탱 접점을 이용하지 마세요.
- ISOFIX 및 Latch형 보호장치에 대해서, 사용 지시사항은 자동차 제조업체의 핸드북을 참조하세요.
- 뒤보기 보호장치의 경우, 에어백이 있는 앞좌석에 설치하지 마세요.
- 보호장치에 탑승한 어린이를 하네스 벨트 등으로 구속해 주세요.
- 보호장치에 탑승한 어린이를 차량에 혼자 내버려 두지 않아야 합니다.
- 보호장치에 어린이가 없더라도 보호장치는 차량에 단단히 고정시켜 주세요. 만약 고정하지 않으면 충돌사고 시 보호장치가 튀어나가 동승자에게 상해를 줄 우려가 있습니다.
- 보호장치를 차량에 고정하고 있는 벨트의 장력을 유지해야 하고 어린이를 구속하는 벨트는 어린이의 신체에 조정되어야 하며, 벨트는 꼬이지 않아야 합니다.
- 시트커버는 단독 세탁해 주시고 손상방지를 위해 세탁기, 건조기 등 사용은 불가하며 중성세제로 손세탁해주세요.
- 궁금한 사항이 있을 시 구매처나 [silverfox@silverfoxi.com](mailto:silverfox@silverfoxi.com) 을 통해 연락 할 수 있습니다.



## 목차

부품 명칭	154
카시트 설치가 가능한 위치	156
설치하기	157
고정 및 결속	158
카시트 각도 및 다리공간 조절	159
카시트 작동법	159
설치 해제	160
보수 및 유지	160
보증서	161

# 부품 명칭



어깨 패드 (A)	헤드레스트 조절 버튼 (M)
안전벨트 해체 버튼 (B)	다리공간 조절 버튼 (N)
리바운드 스톱퍼 해제 버튼 (C)	손잡이 (O)
리바운드 스톱퍼 (D)	서포팅레그 위치 표시 (P)
헤드레스트 (E)	서포팅레그 해체 스트랩 (Q)
눈높이 표시 (F)	서포팅 레그 (R)
ASIP 사이드 프로텍터 (G)	경고 알림음 (S)
각도 조절 버튼 (H)	안전벨트 끈 풀기 버튼 (T)
서포팅레그 버튼 (I)	안전벨트 텐션 스트랩 (U)
ASIP 커넥터 (J)	ISOFIX 결합 표시 (V)
리바운드 스톱퍼 고정 버튼 (K)	ISOFIX 버튼 (X)
사이드 커버 (L)	ISOFIX 커넥터 (Y)

# 카시트 설치가 가능한 위치

이 카시트는 ISOFIX 방식과 후방보기 방식으로만 설치 할 수 있습니다. I-Size 를 부여받은 모든 포지션에 장착할 수 있으며 i-Size를 부여받지 않은 아이소픽스에 설치 할 수 있습니다. 개인 차량의 매뉴얼에 따라 알맞은 설치 위치를 확인하세요. 더불어 [www.axkidbaby.com](http://www.axkidbaby.com) 에서도 추가적으로 확인할 수 있습니다.

앞좌석에 ISOFIX가 있을 시 (에어백 활성화X)	YES/NO*
앞좌석에 ISOFIX가 있을 시 (에어백 활성화O)	NO
뒷좌석에 ISOFIX가 있을 시	YES
뒷보기 혹은 옆보기로 되어있는 좌석	NO
ISOFIX가 없을 시	NO



중요사항: 에어백이 설치되어있는 곳에 설치를 원할 시 반드시 에어백이 비활성화돼 있어야 하며, 몇몇의 차종은 서비스센터에 방문해야만 에어백을 비활성화 시킬 수 있으니 이점 주의 바랍니다.



에어백이 활성화되어있는 좌석에는 절대 설치하지 마세요.





## 차량에 설치하기

**1**

설치하기 전에, 다리공간 조절버튼 (N) 을 눌러 시트를 최대한 리바운드 스톱퍼(D)쪽으로 붙여서 카시트 크기를 최소화하시면 보다 편리하게 설치할 수 있습니다. 서포팅 레그(R)를 ‘딸깍’ 소리가 날 때까지 내려주시고 서포팅 레그의 설치완료 표시 (P)에 초록색을 확인해 주세요.

**2**

리바운드 스톱퍼 해체 버튼(C)를 눌러 리바운드 스톱퍼를 시트 쪽으로 접어주신 상태로 나머지 한 손으로 손잡이(O)를 잡아서 카시트를 들어 차량 시트에 안착시켜 주세요.

**3**

ISOFIX 커넥터 (Y)를 차량의 ISOFIX 부분에 ‘딸깍’ 소리가 날 때까지 결합시켜주세요. 이때 카시트의 ISOFIX 결합 표시(V)에 초록색을 확인하시면 정상적으로 결합이 된 것을 뜻합니다.

**4**

리바운드 스톱퍼가 차량의 시트 등받이 부분에 밀착이 되도록 해주시고, 보다 단단한 결속력을 위해 리바운드 스톱퍼 고정 버튼(K)을 ‘딸깍’ 소리가 나고 충분히 고정될 때까지 시계방향으로 돌려주세요. 리바운드 스톱퍼 고정버튼(K)에 내장되어 있는 토크 제한기가 과하지 않고 알맞게 고정이 되게끔 도와줍니다.

**5**

서포팅 레그 버튼(I)을 눌러 서포팅 레그 (R)를 자동차의 바닥과 접지할 때까지 아래로 내려주세요.

그 후 ‘딸깍’ 소리가 들릴 때까지 카시트를 가볍게 위로 들어주면 서포팅 레그가(R) 보다 견고하게 설치됩니다. 서포팅 레그 (R)에는 경고 알람음이 설치되어 있습니다.

서포팅 레그가 자동차의 바닥 부분과 올바르게 접지되어 있지 않거나 오 장착시 경고 알람음이 울리게 됩니다.

**6**

ASIP 사이드 프로텍터 (G)를 ASIP 커넥터 (J)에 결합 후, 아래쪽으로 내려주세요. 정상적으로 결합 시 ‘딸깍’ 소리가 들립니다.



## 고정 및 결속 방법

아기를 카시트에 태우기 전, 아기의 성장에 따라 알맞은 이너시트를 먼저 설치하세요.

AXKID ONE 3+ 카시트는 아기의 성장에 따라 단계별로 편안하고 안전한 고정 및 결속이 가능하게끔 제작되었습니다.

Axxkid는 이너시트가 타이트할 때까지 사용하는 것을 권장해 드리며 아래의 표를 참조하시면 되겠습니다.

그룹	무게		
0	0-10 kg	9kg 미만	
0	0-10 kg	9kg 이상	
1	9-18 kg	15kg 미만	
1	9-18 kg	15kg 이상	

- 7 안전벨트를 안전벨트 끈 풀기 버튼(T)을 눌러 양쪽의 어깨 끈(A)을 당겨 주세요. 한쪽만 당기는 것을 삼가주세요. 어깨 패드의 길이가 불균등하게 조절될 수 있습니다.
- 8 안전벨트 해체 버튼(B)을 눌러 안전벨트 끈이 아기 승차에 불편함이 없도록 시트 바깥쪽으로 꺼내주세요.
- 9 아기를 태우신 후 어깨 패드 (A)로 아기의 어깨를 감싸 주세요.
- 10 헤드레스트(E)를 아기의 눈높이 표시(F)에 맞춰 조절해 주세요. 이때 헤드레스트 조절 버튼 (M)으로 조절 할 수 있으며, 눈높이 표시(F)는 아기의 눈 끝과 평행할수록 좋습니다. (주의사항: 신생아 시기에는 헤드레스트의 높이를 최대 아래로 내려주세요.)
- 11 어깨패드는 아기의 어깨로부터 최대 1cm 이상 차이 나지 않도록 고정해주세요. 안전벨트를 체결 후 헤드레스트의 높낮이를 한번 더 알맞게 조절 한 다음, 안전벨트 텐션 스트랩을 당겨서 전체 안전벨트의 길이를 단단히 고정해주세요. 이때, 아기어깨와 어깨패드 사이에 빈 공간이 손가락 한 개 이상 들어가지 않게끔 스트랩을 당겨 주세요.



## 카시트 각도 및 다리공간 조절 방법

카시트 설치 후 아래 그림을 참조하여 시트의 각도 및 다리공간을 편리하게 조절하세요.

Axxkid는 아기의 성장에 따라 알맞은 각도와 다리 공간을 제안해 드립니다. 아기가 성장할수록 시트의 각도를 조금씩 세우는 것이 좋습니다. 이것은 사고로 인한 충격 시, 목을 보호 해주는 데 도움이 되기 때문입니다. 카시트의 양쪽에 새겨진 가이드라인을 잘 따라주세요.

무게	조절	
9kg 미만	최대만으로 높은 각도 최소한의 다리공간	<p>0-60 cm</p>
9kg 이상 ~ 15kg 미만	자유로운 각도 여유있는 다리공간	<p>61-105 cm</p>
15kg 이상	최대만으로 세운각도 최대한의 다리공간	<p>106-125 cm</p>

## 카시트 작동 방법

- 다리공간을 조절하기 위해서는 다리공간 조절 버튼 (N)을 눌러서 앞 뒤로 슬라이드 해주세요.
- 시트의 각도를 조절하기 위해서는 시트 각도 조절 버튼 (H)를 돌려주세요.



## 차량으로부터 카시트 설치 해제하기

- 서포팅 레그 버튼 (I)을 눌러 서포팅 레그 (R)의 길이를 최소한으로 해주세요.
- 리바운드 스톱퍼 해제 버튼 (C)를 눌러 리바운드 스톱퍼를 접어주세요.
- ISOFIX 커넥터 (Y)를 아이소픽스 버튼 (X)를 눌러 해제하여 주시고 차량 시트로부터 분리해 주세요.
- 리바운드 스톱퍼 (D)와 손잡이 (O)를 잡고 카시트를 자동차로부터 꺼내주세요.
- 서포팅 레그(R)는 서포팅 레그 해제 스트랩 (Q)를 당기면 위로 접어 보관할 수 있습니다.

## 보수 및 유지

- 시트커버는 단독 세탁해 주시고 손상방지를 위해 세탁기, 건조기 등 사용은 불가하며 중성세제로 손세탁 해주세요.
- 패브릭의 기능이 저하되고 손상을 입을 수 있기 때문에 건조기 사용은 삼가주세요.
- 시트에서 직물 커버를 제거하려면 측면 커버(L)를 바깥쪽으로 당기고 직물의 아이렛을 분리합니다.
- 등받이의 버튼을 열고 시트에서 커버를 조심스럽게 제거합니다.
- 분리하셨던 순서를 잘 기억 해두시면, 세탁 후 재설치시 보다 편리합니다.
- 설치시, 알루미늄 프레임 밑으로 패브릭을 넣어 결합부분에 밀어주세요.
- 헤드레스트 커버를 분리하려면 헤드레스트와 뒷면 패딩 커버 하단에 있는 지퍼와 버튼을 열고 커버를 조심스럽게 분리합니다.
- 시트 패브릭의 교체가 필요할 시, 반드시 Axxkid의 공식 제품으로 교체하세요.
- 화학성분이 다량 첨가되어있는 세제는 플라스틱의 기능을 저하시켜 안전의 결함과 연결되니 사용을 삼가주세요.
- Axxkid의 모든 카시트는 재활용이 가능하며 국가에 따라 정해진 방식으로 재활용되어야 합니다.
- 경고 알림음 (S)은 CR1632 배터리로 구성되어있으며 카시트 사용을 중단할 시, 이 배터리 또한 분리하여 재활용될 수 있으니, 국가에 따라 정해진 방식으로 재활용해 주십시오. 서포팅 레그(R)의 하단부에 나사 두개를 풀어 분리할 수 있습니다.
- 이 설명서 상에서 권하는 방법 외에는 제품을 변형하거나 수정하지 마십시오.
- 모든 수리는 생산 업체나 각국의 에이전트로부터 이루어져야 합니다.



# 보증

카시트 구입일로부터 무상A/S 기간은 1년입니다.

정품 등록 시-프레임 3년, 시트 1년입니다. 혹시 모를 경우를 대비해 영수증을 잘 보관해 주세요.

아래사항은 보증처리가 되지 않습니다.

- 일반적인 사용으로 인한 생활 스크래치, 패브릭의 찢어짐, 변색 등 (생산공정의 잘못이 있는 경우 제외)
- 일부러 손상을 입힌 경우
- 오사용, 오장착으로 인한 사고
- Axxid의 생산업체 혹은 각국의 에이전트가 아닌 제3자에게 수리를 받은 경우
- 모든 소재는 UV 차단 기능이 내재되어 있으나, 강한 UV에 장시간 노출되는 경우 패브릭 부분은 약간의 변색이 올 수 있으며
- 이것은 '오래된 사용으로 인한 생활 스크래치, 변색 등'에 포함됩니다

## 무상교환 프로그램

아이가 탑승한 Axxid 안전시트 장착 차량의 사고 시 구입모델과 동일한 안전시트로 무상 교환 프로그램

- 무상교환프로그램 제공기간 : 구입일로부터 5년



### 어린이용 시트 재활용

Axxid는 오래된 카시트의 재활용을 강력히 권장합니다. 지역 재활용 센터에 베이스를 맡기기 전에 가능하면 금속과 플라스틱 부품을 분리하십시오. 베이스의 주요 부분은 다른 사람이 다시 사용하지 못하도록 안전하지 않거나 만료된 것으로 표시해야 합니다(마커 사용). 다양한 재료에 대한 재활용 지침은 지역 시정촌 지침을 확인하십시오.

# AXKID ONE 3 をお買い上げいただきありがとうございます とうございます

AXKID ONE 3チャイルドシートの車両取付け前に、この取扱説明書をお読みください。  
詳細な情報やチャイルドシートの設置方法は [www.axkid.com](http://www.axkid.com) にてご確認ください。

AXKID ONE 3チャイルドシートは後ろ向きに取り付けるタイプのチャイルドシートで、身長61～125cmまたは体重23kgまでのお子様を対象としています。  
AXKID ONE+ 3チャイルドシートは後ろ向きに取り付けるタイプのチャイルドシートで、身長40～125cmまたは体重23kgまでのお子様を対象としています。

本製品は、安全性をさらに強化した最新安全基準のi-Size（アイサイズ）型チャイルドシートシステムを採用しています。本製品は、UN（国連）の協定規則第129号に基づき、メーカーの取扱説明書にてi-Size対応車である旨が明示されている自動車座席での使用が承認されています。不明な点がある場合は、強化した最新安全基準チャイルドシートシステムの製造元（[www.axkid.com](http://www.axkid.com)）、または販売店にお問い合わせください。

## 必ずお読みください

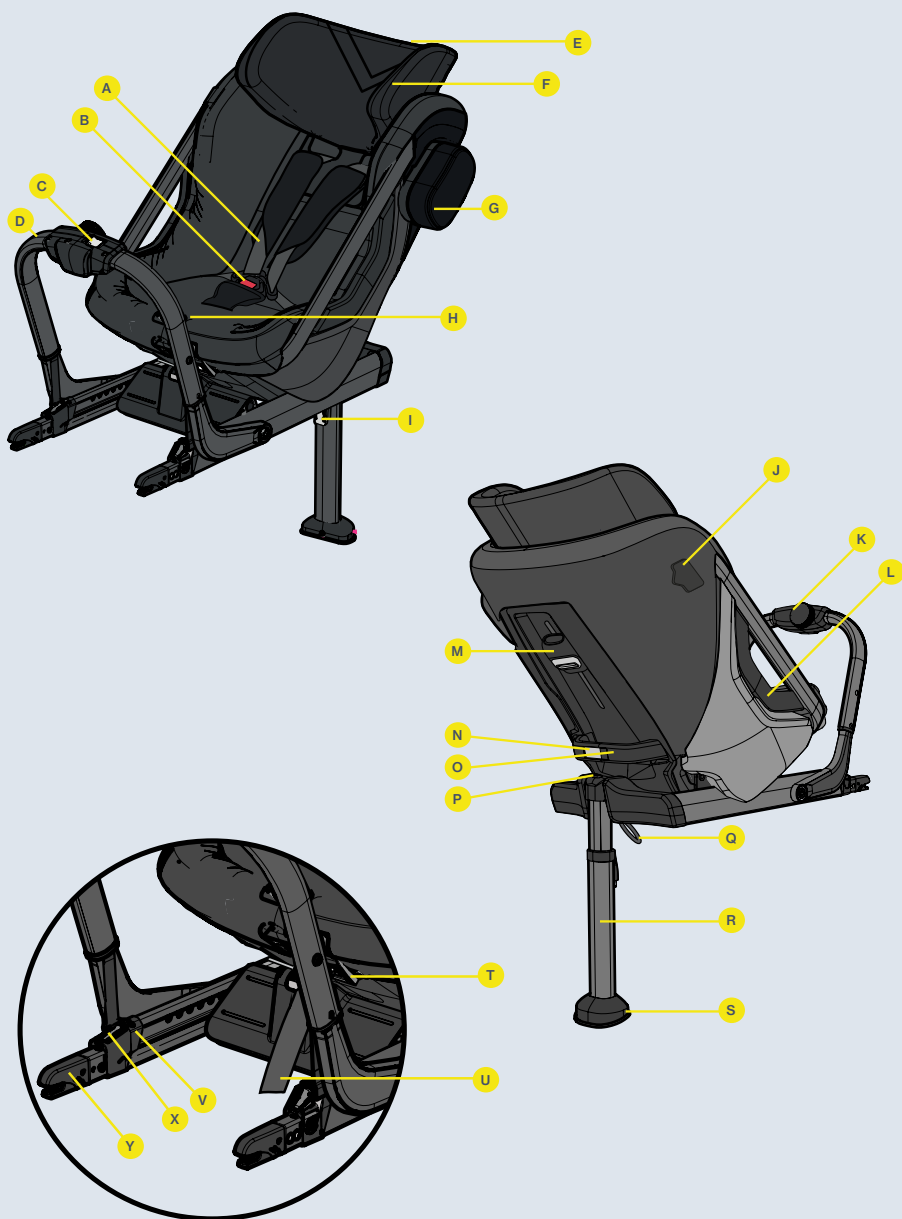
お客様の安全を最大限確保するために、以下のことに注意してください。

- 必ず、この取扱説明書の指示に従って取り付けてください。誤った取り付け方をすると、お客様の安全に重大な影響を与える可能性があります。ご不明点がある場合には、販売店に正しい取り付け方をご相談ください。
- ユーザーマニュアルの最新版については、[www.axkid.com/manuals](http://www.axkid.com/manuals)をご覧ください。
- 前面衝突エアバッグが設置されている座席では、AXKID ONE 3チャイルドシートを使用しないでください。どうしてもその座席にAXKID ONE 3チャイルドシートを取り付ける必要がある場合には、自動車メーカーの指示に従い、必ずエアバッグ機能をオフに設定してください。
- 何らかの事故があった場合、どんなに小さな事故であっても、チャイルドシートは必ず交換してください。見た目には分からない損傷があり、お客様の安全確保に重大な影響を及ぼす可能性があります。このような理由から、AXKIDは中古のチャイルドシートの購入をお勧めしていません。
- AXKID ONE 3チャイルドシートが一定期間直射日光に当たっていた場合、お子様を乗せる前にチャイルドシートが熱くなりすぎていることを確認してください。
- 決して、お子様を車内に放置しないでください。
- 事故の際、乗車されている方が怪我をしないように、荷物や動きやすい物は車内に固定するようにしてください。
- AXKID ONE 3チャイルドシートの部品が、可動式の座席や車のドアなどに挟まれないように設置してください。
- AXKID ONE 3チャイルドシートは、必ず後ろ向きに取り付けてください。
- お客様の身体に正しくフィットするように、必ず肩ベルトの調整をしてください。肩ベルトはヘッドサポートを動かして調整します。
- 肩ベルトを調整する際、お客様の背中がチャイルドシートにしっかりと密着していることを確認してください。
- 肩ベルトがしっかりと締められていること、バックルが完全にロックされていることを常に確認し、ストラップをつまむことができる余裕がないようにします。
- 肩ベルトにねじれがないことを確認してください。
- サポートレグが正しい位置にあり、車のフロアに接触していることを必ず確認してください。サポートレグ上部のインジケーターが緑色であること、サポートレグのフット部分から、「ビー」という警戒音が聞こえないことを確認してください。
- AXKID ONE 3チャイルドシートの部品は、どんなに小さな部品であっても分解および改造はしないでください。AXKID ONE 3チャイルドシートの保証および安全性に影響を与える危険性があります。
- シートカバーなしでAXKID ONE 3チャイルドシートを使用しないでください。シートカバーは安全機能の一部であり、交換の際には必ずAXKID純正のシートカバーと交換するようにしてください。
- このチャイルドシートの設置に適した座席位置は、乗用車の取扱説明書にてご確認ください。
- AXKIDは、車のシートを傷や汚れから守るために、常にシートプロテクションを使用することを推奨しています。
- ご不明な点がある場合は、チャイルドシートを購入された販売店、または [info@axkid.com](mailto:info@axkid.com) までお問い合わせください。

# 目次

各部の名称	163
AXKID ONE 3チャイルドシートを取り付け可能な位置、 不可能な位置	166
AXKID ONE 3チャイルドシートを取り付ける	167
AXKID ONE 3チャイルドシートにお子様をしっかり固定する	168
座席の調整	169
AXKID ONE 3チャイルドシートを調整する	169
AXKID ONE 3チャイルドシートを取り外す	170
お手入れとメンテナンス方法	170
保証について	171

# 各部の名称



肩ベルト(A)	ヘッドレスト調整ボタン(M)
バックルロック解除ボタン(B)	足元調整ボタン(N)
フロントストッパーのロック解除ボタン(C)	バックハンドル(O)
フロントストッパー(D)	サポートレッグ位置インジケータ(P)
ヘッドレスト(E)	サポートレッグロック解除ストラップ(Q)
アイレベルインジケータ(F)	サポートレッグ(R)
ASIPパッド(G)	サウンドインジケータ(S)
リクライニング調整用つまみ(H)	肩ベルトロック解除ボタン(T)
サポートレッグ用ボタン(I)	肩ベルトテンションストラップ(U)
ASIPコネクター(J)	ISOFIXロックインジケータ(V)
フロントストッパーのつまみ(K)	ISOFIXボタン(X)
サイドカバー(L)	ISOFIXコネクター(Y)

# AXKID ONE 3チャイルドシートを取り付け可能な位置、不可能な位置

AXKID ONE 3チャイルドシートは、必ずISOFIXを使用し、後ろ向きに取り付けてください。本製品は、i-Size対応車の座席で使用できますが、i-Size対応車ではない乗用車の座席でも、使用できる場合があります。取り付けが可能かどうかは、車の取扱説明書および [www.axkid.com](http://www.axkid.com) の車種一覧をご確認ください。

ISOFIX固定バーがある助手席（エアバッグなし）	OK/NG*
ISOFIX固定バーがある助手席（エアバッグあり）	NG
ISOFIX固定バーがある後部座席	OK
ISOFIXに固定した後ろ向き装着シートと側面	NG
ISOFIX固定バーのない座席	NG



**重要：**エアバッグが付いているフロント座席にAXKID ONE 3チャイルドシートを取り付ける場合、自動車メーカーの指示に従ってエアバッグを取り外す必要があります。一部の車種では、認定されたサービスセンターにおけるエアバッグの取り外しが必要です。

※スペインの一般的な交通規則では、その第117条において、身長が135cm以下の子供を自動車の前席に乗せて運転することは、例外なくすべて禁止されています。



前面衝突エアバッグが稼働する状態で設置されている座席には、絶対にチャイルドシートを取り付けないでください。





# AXKID ONE 3チャイルドシートを取り付ける

JA

1

AXKID ONE 3チャイルドシートを車に取り付ける前には、足元調整ボタン (N) を解除し、シートをフロントストッパー (D) 方向にスライドさせて、最小サイズまで小さくしてください。カチッという音が聞こえ、サポートレッグ位置インジケータ (P) が緑になるまで、サポートレッグ (R) を倒してください。

2

フロントストッパー (D) のロック解除ボタン (C) を解除し、フロントストッパー (D) をシートの方に折り畳んでください。片手でフロントストッパー (D) を押さえたまま、もう片方の手でバックハンドル (O) をつかみ、AXKID ONE 3チャイルドシートをフロントストッパー (D) 側から車の中に入れ込み、そのあと回転させ後ろ向きに取付けてください。

3

ISOFIX コネクター (Y) を車のISOFIX固定バーに取り付け、カチッと音がして両方の ISOFIX ロックインジケータ (V) が緑になるまで押し込んでください。

4

フロントストッパー (D) を放すと、シートに対して張力がかかります。フロントストッパー (D) がシートにしっかりと圧着されていることを確認し、固定されたら、フロントストッパーのつまみ (K) を時計回りに「カチッ」と音がするまで回してください。フロントストッパーのつまみ (K) にはトルクリミッター (過負荷保護装置) が内蔵されており、この「カチッ」という音はフロントストッパー (D) が正しく圧着されており、それ以上は締められないことを意味します。

5

サポートレッグ用ボタン (I) を押し、サポートレッグ (R) が車のフロアに接するまで下方に引いてください。サポートレッグ用ボタン (I) を離し、チャイルドシートを上方に持ち上げて、カチッという音がするまでサポートレッグ (R) をさらに伸ばします。これで、サポートレッグ (R) がロックされ、車のフロアにしっかりと押し付けられるはずですが、注意: AXKID ONE 3チャイルドシートには、サウンドインジケータ (S) が搭載されています。サポートレッグ (R) がフロアにしっかりと押し付けられるまで「ピー」という警告音が鳴り続け、正しく取り付けられていることを知らせます。

6

ASIPパッド (G) をASIPコネクター (J) のスロットに押し込み、下方にスライドさせると、ASIPパッド (G) が所定の位置にカチッとハマります。ASIPコネクター (J) にプラスチックカバーがある場合は、それを取り外し、ASIPパッド (G) を取り付け前にシートの反対側のASIPコネクター (J) に取り付けます。ASIPパッド (G) は必ず、AXKID ONE 3チャイルドシートの車両ドアに近い側に取り付けてください。



# AXKID ONE 3チャイルドシートにお子様を しっかり固定します。

お子様をAXKID ONE 3チャイルドシートに固定する前に、チャイルドシートに正しいインサートが装着されていることを確認してください。AXKID ONE 3は、お子様の成長に合わせて調整可能となっており、すべてのお子様に快適かつ安全にフィットするように設計されています。AXKIDでは、お子様が窮屈だと感じるようになるまで、下表に記載された最短の長さまで関連するインサートを使用することをお勧めします（年齢は、あくまで目安です）。

年齢	身長	
乳児 0～6ヶ月 (AXKID ONE+ 3のみ)	0～60cm	
乳幼児 0～3歳	61～105cm	
小児 3～7歳	106～125cm	

7

肩ベルトロック解除ボタン(T)を押して肩ベルトを緩め、両肩の肩ベルト(A)を同時に引き抜きます。片方ずつ引っ張ると、肩ベルト(A)が左右バランスが崩れることがありますので、避けてください。

8

バックルロック解除ボタン(B)を押してバックルのロックを解除し、肩ベルトを座席の外に出すように配置してください。

9

お子様を座席に座らせ、肩ベルト(A)をお子様の肩に掛けてください。まず、肩ベルト(A)に付いているバックルの部品を合わせ、カチッと音がするまでバックルを押し込み、肩ベルトをロックします。

10

ヘッドレスト調整ボタン(M)を両方とも押して、アイレベルインジケーター(F)がお子様の目と一直線になる高さまでヘッドレスト(E)を上下にスライドさせて調整してください。注：アイレベルインジケーター(F)は乳児用のインサート(AXKID ONE+ 3のみ)を使用する場合には使用しないでください。AXKID ONE+ 3を幼児に使用する際は、必ずヘッドレストが一番低い位置にあることを確認してください。

11

肩ベルト(A)を、座席に座ったお子様の肩からすぐの位置、または最大1 cm上までの位置に調整してください。ヘッドレスト(E)の再調整が必要な場合、アイレベルインジケーターがお子様の目線の位置と多少ずれても、肩ベルトを最適な位置にすることを優先させてください。次に、肩ベルト(A)を引っ張り、お子様の腰の上でベルトを締めます。肩ベルト(A)にゆるみのないよう張りを持たせながらしながら、肩ベルトテンションストラップ(U)を十分に引き、肩ベルト(A)とお子様の肩の間に指1本以上入らない程度に締めます。





## 座席の調整

AXKID ONE 3のチャイルドシートを車に取り付けた後でも、お子様の足元の広さやリクライニングの位置は簡単に調整することができます。また、お子様をチャイルドシートに固定した状態で調整することも可能です。

JA

お子様の安全を最大限確保するため、AXKIDは車種に関わらず、座席の側面に記載されているガイドポジションを使用することを強く推奨しています。お子様が成長に合わせ、事故の際でもお子様の首を十分に保護するために、リクライニングをより直立した位置に調整することが重要です。お子様の身長に基づいたサイズが表示されています。両方の矢印の方向と身長が合っていることを確認してください。

年齢	調整ガイドライン	
乳児 0～6ヶ月 (AXKID ONE+ 3 のみ)	リクライニング：最大に設定 足元の広さ：最小に設定	<p><b>0-60 cm</b></p>
乳幼児 0～3歳	リクライニング：フレキシブルに調整 足元の広さ：フレキシブルに調整	<p><b>61-105 cm</b></p>
小児 3～7歳	リクライニング：直立に設定 足元の広さ：最大に設定	<p><b>106-125 cm</b></p>

## AXKID ONE 3チャイルドシートを調整する

- ・ 足元の広さは、足元調整ボタン(N)をリリースし、シートを前方または後方にスライドさせることで調整することができます。AXKID ONE 3が誤って前方にスライドしないように、足元調整ボタン(N)をリリースする前に、バックハンドル(O)をつかみ、ゆっくりと後方に引くようにしてください。
- ・ チャイルドシートのリクライニング位置は、リクライニング調整つまみ(H)を回して調整することができます。



## AXKID ONE 3チャイルドシートを取り外す

- ・ サポートレグ用ボタン(I)を押し、サポートレグ(R)を一番短くします。
- ・ フロントストッパーのロック解除ボタン(C)をスライドさせ、フロントストッパー(D)をシート側に倒し、車の座席に対する張力を解除してください。
- ・ ISOFIXボタン(X)を押し、ISOFIXコネクター(Y)を外し、座席から離すように後方にスライドさせてください。
- ・ 片手でフロントストッパー(D)を持ったまま、もう一方の手でバックハンドル(O)をつかみ、AXKID ONE 3チャイルドシートを持ち上げて車から出してください。
- ・ サポートレグロック解除ストラップ(Q)を引き、サポートレグ(R)を上折りたたみます。

## お手入れとメンテナンス方法

- ・ シートカバーは、30℃までの温度で、非常に弱い水流での洗濯機洗いが可能です。乾燥機にかけると、カバーが損傷し、パッドが生地から分離することがあります。www.axkid.com で、カバーの取り外しと取り付けの方法を説明したビデオをご確認ください。
- ・ シートからテキスタイルカバーを取り外すには、サイドカバー(L)を外側に引っ張り、テキスタイルのアイレットを外します。背もたれのボタンを開き、シートからカバーをやさしく取り外します。背もたれのファスナーを開き、シートからカバーをそと取り外してください。あとでシートを元に戻すのために、シートにどのように取り付けられていたか、あらかじめメモすることをおすすめします。サイドカバー(L)を再び取り付けるときは、アルミフレームの下に差し込み、スナップアタッチメントに押し戻すだけです。ヘッドレストカバーを取り外すには、ヘッドレストとバックパッド付きカバーの下部にあるジッパーとボタンを開け、カバーをやさしく取り外します。
- ・ シートカバーの交換が必要な場合、必ずAXKIDの純正品のみを使用してください。他の製品を使用した場合、AXKID ONE 3チャイルドシートの安全性が損なわれ、事故の際に深刻な怪我につながる可能性がありますのでおやめください。
- ・ AXKID ONE 3チャイルドシートのプラスチック部品は、中性洗剤と水でお掃除いただくことができます。プラスチックが損傷し、チャイルドシートの安全性が損なわれるおそれがありますので、溶剤などを含む強い化学薬品や洗剤は使用しないでください。
- ・ AXKID ONE 3のチャイルドシートに使用されている材料はすべてリサイクル可能です。お住まいの地域の条例などに従ってリサイクルしてください。本製品をリサイクルする際には、地域のリサイクル業者等へご相談ください。
- ・ サウンドインジケーター(S)には、交換可能なCR1632電池が使用されています。Axkid ONE 3チャイルドシートを使用しなくなった場合、電池を取り出し、地域の法令に従ってリサイクルしてください。サポートレグ(R)の下部にあるネジ2本を外し、カバーを取り外すと、電池を取り出すことができます。
- ・ AXKID ONE 3チャイルドシートに、この取扱説明書に記載されている以外の改造や変更を加えないでください。
- ・ 修理はすべて、メーカーまたは正規代理店にて行う必要があります。

# 保証について

AXKID ONE 3チャイルドシートには、購入日から24ヶ月間の保証が付いています。レシートは必ず保管いただき、保証対象となる問題が発生した場合は、購入先にお持ちください。

JA

以下については、保証対象外です：

- ・ 通常の使用による磨耗や損傷。
- ・ 不適切な使用、管理不足、事故による損傷。
- ・ メーカーあるいは正規代理店ではない、第三者による修理が行われた場合。
- ・ 使用されているすべての素材は、非常に高い紫外線耐性を持っています。ただし、紫外線は非常に強力なため、長期的にはシートカバーの色あせにつながります。これは通常の磨耗と見なされるため、当社の保証の対象にはなりません。
- ・ チャイルドシートは、丁寧にお取り扱いください。裏面のメッシュ生地は傷がつきやすく、工場出荷時の不具合以外の破損は保証の対象外となります。あらかじめご了承ください。

## チャイルドシートのリサイクル



AXKIDは、使用後のチャイルドシートのリサイクルを強く推奨しています。チャイルドシートをお近くのリサイクル業者などに引き渡す前に、可能であれば金属部分とプラスチック部分を分別してください。チャイルドシートの主要部分には、安全ではない、または使用期限切れであるという印を付けて（マーカ―を使用してください）、再び使用されることがないようにしてください。各材料のリサイクル方法については、お住まいの地域の自治体のガイドラインをご確認ください。

# Благодарим Ви, че избрахте детско столче AXKID ONE 3

Прочетете това ръководство с указания, преди да монтирате детско столче за кола AXKID ONE 3 във вашия автомобил. За повече информация и видеоклипове за монтаж посетете [www.axkid.com](http://www.axkid.com).

**AXKID ONE 3** е столче за кола, обърнато назад, одобрено за деца с ръст между 61-125 см или с максимално тегло от 23 кг.

**AXKID ONE+ 3** е столче за кола, обърнато назад, одобрено за деца с ръст между 40-125 см или с максимално тегло от 23 кг.

Това е усъвършенствана система за обезопасяване на деца i-Size. Тя е одобрена в съответствие с Правило No 129 на ООН за използване в съвместими с i-Size места за сядане в превозното средство, както е посочено в ръководството за потребителя на автомобила от производителите на автомобила. Ако имате съмнения, допитайте се или до производителя на усъвършенстваната система за обезопасяване на деца ([www.axkid.com](http://www.axkid.com)), или до търговеца на дребно.

## Важна информация

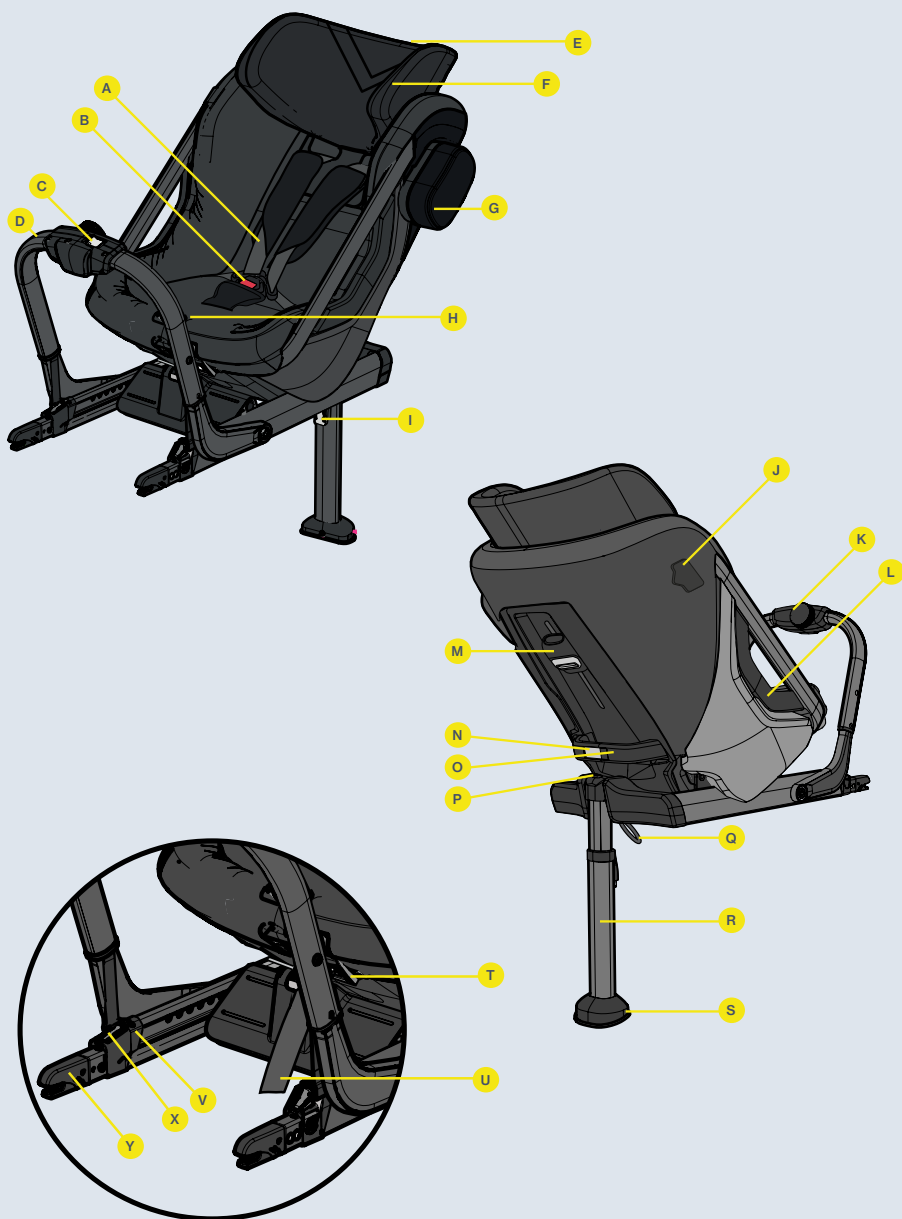
За да увеличите максимално безопасността на детето си, е важно да не забравяте следното:

- Винаги следвайте указанията в това ръководство. Неправилният монтаж може сериозно да засегне безопасността на вашето дете. Ако се съмнявате, свържете се с вашия търговец, който може да покаже правилен монтаж.
- За най-новата версия на ръководството за потребителя посетете [www.axkid.com/manuals](http://www.axkid.com/manuals).
- Не използвайте столчето за кола AXKID ONE 3 на място за сядане, където е монтирана активна предна въздушна възглавница. Ако все пак желаете да монтирате столчето за кола AXKID ONE 3 на това място, въздушната възглавница трябва да се изключи съгласно указанията на производителя на автомобила.
- Ако претърпите пътнотранспортно произшествие, без значение колко е леко, столчето за кола винаги трябва да бъде сменено. То може да има увреждане, което да не е видимо и може сериозно да засегне безопасността на вашето дете. Поради тази причина Axkid не препоръчва закупуването на столчета за кола втора употреба.
- Ако столчето за кола AXKID ONE 3 е било изложена на пряка слънчева светлина, се уверете, че столчето за кола не е твърде горещо, преди да поставите детето си.
- Никога не оставяйте детето си без надзор в превозното средство.
- Уверете се, че всички багажи или свободни предмети в автомобила ви са обезопасени, тъй като те могат да причинят наранявания на пътниците в случай на произшествие.
- Уверете се, че столчето за кола AXKID ONE 3 е монтирано по начин, при който нито една част не се заклепва от подвижни седалки, врати на автомобила и т.н.
- Столчето за кола AXKID ONE 3 може да се монтира само обърнато назад.
- Винаги се уверявайте, че коланите са регулирани така, че да прилягат правилно на тялото на детето ви. Коланите се регулират чрез преместване на опората за глава.
- Уверете се, че гърбът на детето е притиснат към столчето за кола, когато обезопасявате детето си с коланите.
- Винаги се уверявайте, че коланите са здраво обтегнати по детето ви и че токата е напълно заключена, не трябва да можете да захванете лентите.
- Уверете се, че коланите не са усукани.
- Винаги се уверявайте, че опорният крак е в правилното си положение и опира в пода на автомобила. Проверете дали индикаторът в горната част на опорния крак е зелен и дали не чувате прекъснат звуков сигнал от лапата на опорния крак.
- Не се опитвайте да разглобявате или промените която и да е част от столчето за кола AXKID ONE 3. Гаранцията и показателите за безопасност на столчето за кола AXKID ONE 3 могат да бъдат засегнати, ако това се случи.
- Никога не използвайте столчето за кола AXKID ONE 3 без текстилния калъф на седалката. Текстилният калъф на столчето е функция за безопасност и може да бъде заменен само с оригинален текстилен калъф за столче Axkid.
- Прочетете ръководството на превозното средство, за да разберете кои места за сядане са подходящи за това столче.
- Axkid препоръчва винаги да използвате предпазител за седалки, за да предпазите седалката на автомобила от драскотини и замърсявания.
- Ако имате съмнения, свържете се с търговеца на дребно, от който е закупено столчето за кола, или се свържете с [info@axkid.com](mailto:info@axkid.com)

# Съдържание

Части	174
Позволени и забранени положения на столчето за кола AXKID ONE 3	176
Монтиране на столчето за кола AXKID ONE 2 в автомобила	177
Обезопасяване на детето в столчето за кола AXKID ONE 3	178
Регулирания на столчето	179
Регулиране на столчето за кола AXKID ONE 3	179
Демонтиране на столчето за кола AXKID ONE 3 от автомобила	180
Грижа и поддръжка	180
Гаранция	181

# Части



Презрамки (A)	Бутони за регулиране на облегалката за глава (M)
Бутон за освобождаване на закопчалката (B)	Бутони за регулиране на пространството за крака (M)
Бутон за освобождаване на предната скоба (C)	Задна ръкохватка (O)
Предна скоба (D)	Индикатор за положение на опорния крак (P)
Облегалка за глава (E)	Кайшка за освобождаване на опорния крак (Q)
Индикатор за ниво на очите (F)	Опорен крак (R)
Подложка ASIP (G)	Звуков индикатор (S)
Кнопка за наклонено положение (H)	Бутон за освобождаване на обезопасителната система (P)
Бутон за опорния крак (I)	Кайшка за обтягане на обезопасителната система (U)
Съединител ASIP (J)	Индикатори за заключване на ISOFIX (V)
Кнопка за предна скоба (K)	Бутони за ISOFIX (X)
Страничен калъф (L)	Съединители ISOFIX (Y)

# Разрешено и забранено поставяне на столчето за автомобил AXKID ONE 3

Столчето за кола AXKID ONE 3 може да се монтира само в посока обратна на движението, използвайки ISOFIX. То е одобрено за използване във всички одобрени места за сядане i-Size, но може да пасне и в други места за сядане ISOFIX, които не са одобрени i-Size. Проверете ръководството за експлоатация на превозното средство, за да намерите подходящи места за сядане, и проверете списъка на превозните средства на [www.axkid.com](http://www.axkid.com)

Предна пътническа седалка с ISOFIX (без активна въздушна възглавница)	ДА/НЕ*
Предна пътническа седалка с ISOFIX (с активна въздушна възглавница)	НЕ
Задна пътническа седалка с ISOFIX	ДА
Обърнати настрани и назад седалки	НЕ
Седалки без ISOFIX	НЕ



**ВАЖНО:** Ако желаете да монтирате вашето детско столче AXKID ONE 3 на място, където е монтирана предна въздушна възглавница, въздушната възглавница трябва да бъде изключена съгласно ръководството от производителя на автомобила ви. Имайте предвид, че за изключването на въздушната възглавница на някои автомобили се изисква упълномощен сервизен център.

\* Общият правилник за движение по пътищата в Испания, в своя член 117, установява забрана за шофиране с деца с ръст, равен или по-малък от 135 сантиметра, разположени на предните седалки на автомобила, без изключения.



**Никога не монтирайте системата за обезопасяване на деца на пътническа седалка, където е монтирана активна въздушна възглавница.**







# Монтиране на столчето за кола AXKID ONE 3 в автомобила

**1**

Преди да монтирате столчето за кола AXKID ONE 3 във вашия автомобил, намалете размера му до минимум, освобождавайки бутона за регулиране на пространството за краката (N) и плъзнете седалката към предната скоба (D). Сгънете надолу опорния крак (R), докато се чуе щракване и индикаторът за положението на опорния крак (P) стане зелен.

**2**

Освободете бутона за освобождаване на предната скоба (C) и сгънете предната скоба (D) към столчето. Продължавайте да държите предната скоба (D) с една ръка и хванете задната ръкохватка (O) с другата ръка и повдигнете столчето за кола AXKID ONE 3 в автомобила си първо с предната скоба (D) и след това го завъртете в обърнато назад положение.

**3**

Натиснете съединителите ISOFIX (Y) в точките на свързване ISOFIX в автомобила, докато не чуете щракване и двата индикатори за заключване ISOFIX (T) станат зелени.

**4**

Отпуснете предната скоба (D), която ще започне да се затяга сама срещу седалката на автомобила. Когато спре, завъртете кнопката на предната скоба (K) по посока на часовниковата стрелка, докато усетите и чуете щракване, предната скоба (D) сега трябва да бъде здраво притисната към седалката на автомобила. Кнопката на предната скоба (K) има вграден ограничител на въртящия момент и щракването показва, че предната скоба (D) е затегната правилно и не може да бъде затегната повече.

**5**

Натиснете бутона на опорния крак (I) и издърпайте опорния крак (R) надолу, докато опре в пода на превозното средство. Отпуснете бутона на опорния крак (I) и повдигнете столчето за кола, за да удължите допълнително опорния крак (R), докато чуете щракване. Опорният крак (R) сега трябва да бъде заключен и здраво притиснат към пода на превозното средство. Забележка: Столчето за кола AXKID ONE 3 е оборудвано с прекъснат звуков сигнал (S), който ще продължи да звучи, докато опорният крак (R) не бъде здраво притиснат към пода, което показва правилен монтаж.

**6**

Натиснете подложката ASIP (G) в прорезите на съединителя ASIP (J) и плъзнете надолу, подложката ASIP (G) ще щракне на мястото си. Ако има пластмасов капак на съединителя ASIP (J), извадете го и го поставете върху съединителя ASIP (J) от противоположната страна на седалката, преди да монтирате подложката ASIP (G). Уверете се, че подложката ASIP (G) е закрепена от страната на столчето за кола AXKID ONE 3, която е най-близо до вратата на автомобила.



# Обезопасяване на детето в столчето за кола AXKID ONE 3

Преди да обезопасите детето си в детското столче AXKID ONE 3, се уверете, че в столчето е монтирана правилната подплата. AXKID ONE 3 е проектирано да расте заедно с вашето дете и да осигури удобно и безопасно прилягане за всички деца.

Axkid препоръчва да използвате правилната вложка, докато стане твърде стегната за вашето дете, но до минимална дължина съгласно таблицата по-долу (имайте предвид, че възрастта е само за справка):

Възраст	Ръст	
Бебе 0-6 месеца (само за AXKID ONE+ 3)	0 – 60 см	
Малко дете 0-3 години	61 – 105 см	
Дете 3-7 години	106 – 125 см	

7

Разкопчайте системата за обезопасяване, натискайки бутона за освобождаване на системата (Т) и издърпайте едновременно двете презрамки (А) навън. Избягвайте да дърпате само една каишка наведнъж, тъй като това може да доведе до неравномерна дължина на презрамките (А).

8

Отключете закопчалката, натискайки бутона за освобождаване на закопчалката (В) и поставете коланите извън столчето.

9

Поставете детето си в столчето и поставете презрамките (А) на раменете на детето. Заклучете обезопасителната система от колани, първо поставяйки частите на заключалката, която е прикрепена към презрамките (А) заедно, и след това ги натиснете в заключалката, докато чуете щракване.

10

Регулирайте облегалката за глава (Е), докато индикаторите за ниво на очите (В) са изравнени с очите на детето ви, натискайки и двата бутона за регулиране на облегалката за глава (М) и плъзгайки я нагоре или надолу. Забележка: индикаторите за ниво на очите (F) не трябва да се използват, когато се използва вложката за бебета (само за AXKID ONE+ 3). Когато използвате AXKID ONE+ 3 за бебета, винаги се уверявайте, че облегалката за глава е в най-ниското положение.

11

Проверете дали презрамките (А) преминават през столчето точно от раменете на детето или максимум 1 см над него. Може да се наложи да регулирате облегалката за глава (Е) отново, дори ако това кара индикатора за ниво на очите да излезе от линията на очите на детето ви. Сега издърпайте презрамките (А), за да затегнете обезопасителната система от колани над бедрата на детето си. Докато поддържате презрамките (А) опънати, издърпайте каишката за опъване на обезопасителната система (U), докато обезопасителната система се обтегне достатъчно, не трябва да можете да поставите повече от един пръст между презрамките (А) и раменете на детето си.



## Регулирания на столчето

След като столчето за кола AXKID ONE 3 е монтирано във вашия автомобил, можете лесно да регулирате както пространството за крака, така и наклоненото положение за вашето дете. Това може да се направи и докато детето ви е обезопасено в столчето за кола.

За да осигурите добро прилягане във всички автомобили и да осигурите най-добрата защита за вашето дете, Axkid силно препоръчва да използвате направляваните положения, обозначени отстрани на столчето за кола. Тъй като детето ви расте, е важно да регулирате наклона в по-изправено положение, за да осигурите възможно най-добрата защита за врата на детето си в случай на произшествие.

Показанието за размер се основава на ръста на вашето дете. Уверете се, че и двете стрелки сочат в правилната зона.

Възраст	Регулиране	
Бебе 0-6 месеца (само за AXKID ONE+ 3)	Максимален наклон Минимално пространство за крака	
Малко дете 0-3 години	Всички наклонени положения Няколко положения на пространството за крака	
Дете 3-7 години	Максимално изправено положение Максимално пространство за крака	

## Регулиране на столчето за кола AXKID ONE 3

- Пространството за краката се регулира чрез освобождаване на бутона за регулиране на пространството за краката (N) и плъзгане на столчето напред или назад. За да избегнете случайно плъзгане на AXKID ONE 3 напред, хванете задната ръкохватка (O) и внимателно я издърпайте назад, преди да освободите бутона за регулиране на пространството за крака (N).
- Наклоненото положение на столчето за кола може да се регулира чрез завъртане на кнопката за наклонено положение (H).



# Демонтиране на столчето за кола AXKID ONE 3 от автомобила ви

- Натиснете бутона на опорния крак (I) и приберете опорния крак (R) в най-късото му положение.
- Плъзнете бутона за освобождаване (C) на предната скоба (D) и сгънете предната скоба към столчето, за да освободите напрежението към седалката на автомобила.
- Освободете съединители ISOFIX (Y), натискайки бутоните ISOFIX (X) и след това ги плъзнете назад, далеч от седалката на автомобила.
- Продължавайте да държите предната скоба (D) с една ръка и хванете задната ръкохватка (O) с другата ръка и повдигнете столчето за кола AXKID ONE 3 от вашия автомобил.
- Сгънете опорния крак (R), издърпвайки лентата за освобождаване на опорния крак (Q) и сгънете опорния крак (R) нагоре.

## Грижа и поддръжка

- Текстилният калъф на столчето може да се пере в машина на 30°C при лек цикъл. Не поставяйте калъфа в сушилня, тъй като това може да повреди калъфа и подплатата може да се отдели от тъканта. Посетете [www.axkid.com](http://www.axkid.com), за да намерите видеоклипове, обясняващи как да премахнете и поставите калъфа.
- За да свалите текстилния калъф от столчето, издърпайте навън страничния калъф (L) и освободете илика на текстила. Отворете копчетата на облегалката и внимателно свалете калъфа от седалката. Отворете циповете на облегалката и внимателно свалете калъфа от седалката. Обърнете внимание как е прикрепен около седалката, за да се улесни обратното поставяне. Когато монтирате страничния калъф обратно (L), поставете го под алуминиевата рамка и просто натиснете обратно в щракващата приставката. За да свалите калъфа на облегалката за глава, отворете циповете и бутоните в долната част на облегалката за глава и подплатения калъф на облегалката и внимателно свалете калъфа.
- Ако калъфът на столчето се нуждае от смяна, се уверете, че използвате само оригинални продукти от Axkid. Ако използвате други продукти, системата за безопасност на столчето за кола AXKID ONE 3 може да бъде нарушена и да доведе до тежки наранявания в случай на пътнотранспортно произшествие.
- Всички пластмасови части на столчето за кола AXKID ONE 3 могат да се почистват с мек почистващ препарат и вода. Не използвайте агресивни химикали, съдържащи разтворители или подобни, тъй като това може да повреди пластмасата и да наруши безопасността на столчето за кола.
- Всички материали, използвани в столчето за кола AXKID ONE 3, са рециклируеми и трябва да бъдат рециклирани съгласно местното законодателство. Посъветвайте се с местния център за рециклиране при рециклирането на този продукт.
- Звуковият индикатор (S) съдържа сменяема батерия CR1632. Моля, извадете и рециклирайте батерията в съответствие с местното ви законодателство, когато столчето за кола AXKID ONE 3 вече не трябва да се използва. Развийте двата винта в долната част на опорния крак (R) и свалете калъфа, за да получите достъп до батерията.
- Не правете никакви изменения или промени в столчето за кола AXKID ONE 3, освен описаните в това ръководство за експлоатация.
- Всички ремонти трябва да се извършват от производителя или представителя.

# Гаранция

Столчето за кола AXKID ONE 3 се покрива от 24-месечна гаранция от датата на закупуване. Уверете се, че сте запазили касовата си бележка и я занесете на мястото на покупка, ако имате някакви гаранционни проблеми.

Гаранцията не покрива:

- Нормално износване
- Повреда поради неправилна употреба, небрежност или злополука
- Ако ремонти дейности са били извършени от трета страна
- Всички използвани материали имат много висока УВ-устойчивост. УВ-светлината обаче е много агресивна и в крайна сметка ще доведе до избледняване на калъфа на седалката. Това не се покрива от нашата гаранция, тъй като се счита за нормално износване.
- Работете със столчето внимателно. Имайте предвид, че задната мрежеста тъкан се драска лесно и повреди, различни от фабрично дефектната мрежа, няма да бъдат покрити от гаранцията.

## Рециклиране на столчето ви



Axkid силно препоръчва рециклирането на стари столчета за кола. Преди да оставите столчето в местната станция за рециклиране, отделете метални и пластмасови части, ако е възможно. Главната част от столчето трябва да бъде обозначена като опасна или с изтекъл срок на годност (използвайте маркер), за да възпреите някой да я използва отново. Моля, проверете местните общински насоки за указания за рециклиране на различните материали.

# ขอบคุณที่เลือก Axkid ONE 3

อ่านคู่มือการใช้งานนี้ก่อนติดตั้งคาร์ซีทในรถของคุณ  
สำหรับข้อมูลเพิ่มเติมและวิดีโอการติดตั้งโปรดไปที่ [www.axkid.com](http://www.axkid.com)

คาร์ซีท Axkid ONE 3 เป็นคาร์ซีทแบบหันหน้าเข้าหาเบาะสำหรับเด็กที่มีความสูงระหว่าง  
61-125 ซม. หรือมีน้ำหนักสูงสุด 23 กก.

คาร์ซีท Axkid ONE+ 3 เป็นคาร์ซีทแบบหันหน้าเข้าหาเบาะสำหรับเด็กที่มีความสูงระหว่าง  
40-125 ซม. หรือมีน้ำหนักสูงสุด 23 กก

นี่คือระบบยึดเหนี่ยวเด็กแบบ i-Size Enhanced Child Restraint System ที่ได้รับการอนุมัติตาม  
ระเบียบสหประชาชาติหมายเลข 129 สำหรับใช้ในตำแหน่งที่นั่งยานพาหนะที่รองรับ i-Size ตาม  
ที่ระบุโดยผู้ผลิตรถยนต์ในคู่มือผู้ใช้รถยนต์ หากมีข้อสงสัย ให้ปรึกษาผู้ผลิต Enhanced Child  
Restraint System ([www.axkid.com](http://www.axkid.com)) หรือตัวแทนจำหน่าย

## ข้อมูลสำคัญ

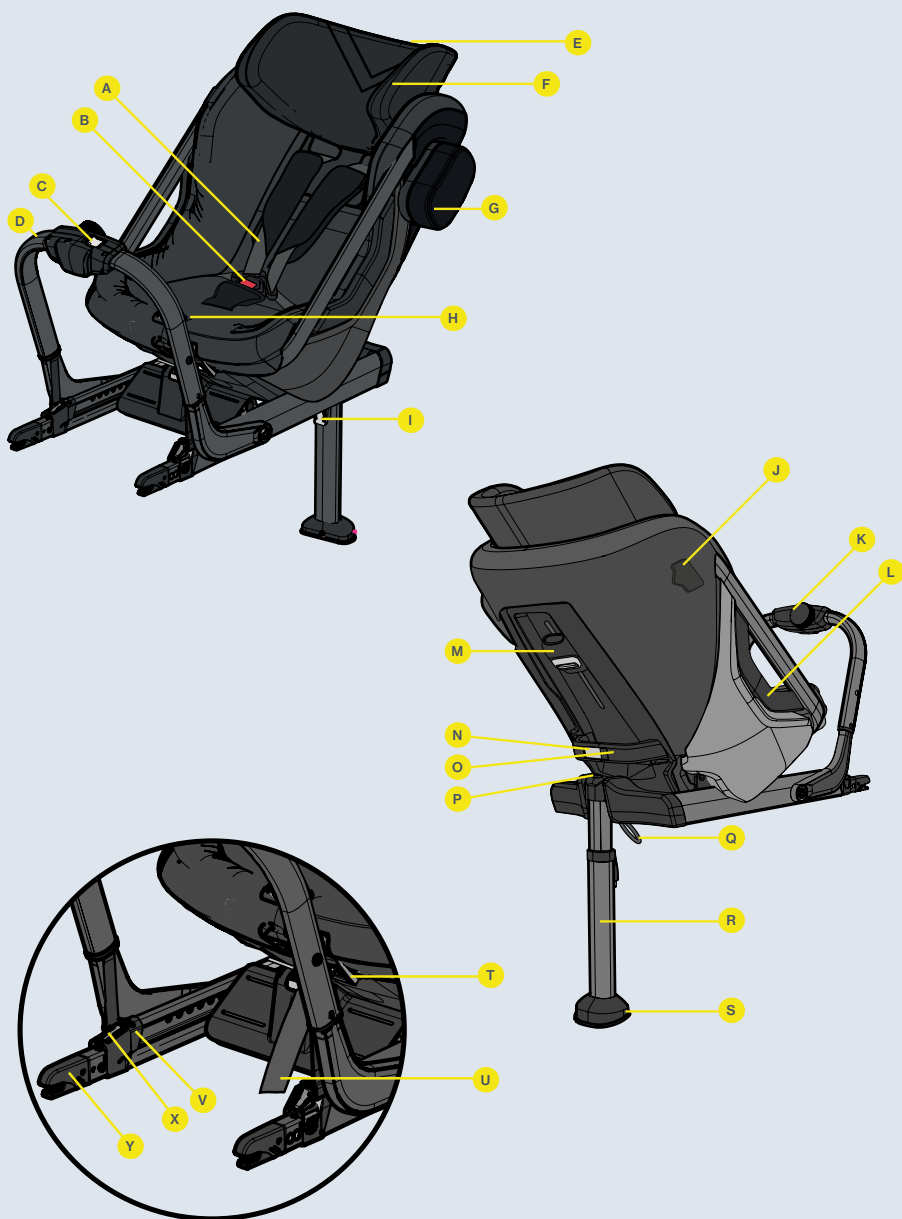
เพื่อเพิ่มความปลอดภัยให้กับบุตรหลานของคุณสิ่งสำคัญคือคุณต้องคำนึงถึงสิ่งต่อไปนี้:

- ปฏิบัติตามคำแนะนำในคู่มือนี้เสมอ การติดตั้งที่ไม่ถูกต้องอาจส่งผลกระทบต่อความปลอดภัยสำหรับบุตรหลานของคุณ หากมีข้อสงสัยโปรดติดต่อตัวแทนจำหน่ายของคุณที่สามารถสาธิตการติดตั้งที่ถูกต้อง
- รับคู่มือผู้ใช้ฉบับล่าสุดได้ที่ [www.axkid.com/manuals](http://www.axkid.com/manuals)
- อย่าใช้คาร์ซีทในตำแหน่งที่นั่งที่ติดตั้งถุงลมนิรภัยด้านหน้าแบบแอ็คทีฟ หากคุณยังต้องการติดตั้งคาร์ซีทในตำแหน่งนี้ ถุงลมนิรภัยจะต้องปิดตามคำแนะนำของผู้ผลิตรถยนต์
- อุบัติเหตุไม่ว่าจะเล็กน้อยแค่ไหนควรเปลี่ยนคาร์ซีทของคุณเสมอ อาจมีความเสียหายที่ไม่สามารถมองเห็นได้และอาจส่งผลกระทบต่อความปลอดภัยของลูกของคุณ ด้วยเหตุนี้ Axkid จึงไม่แนะนำให้ซื้อคาร์ซีทมือสองมาใช้
- หากคาร์ซีทถูกแสงแดดโดยตรงตรวจสอบให้แน่ใจว่าคาร์ซีทไม่ร้อนเกินไปก่อนวางเด็กลงบนเบาะ
- อย่าทิ้งเด็กไว้ในรถตามลำพัง
- ตรวจสอบให้แน่ใจว่าสัมภาระหรือสิ่งของอื่นๆ ในรถถูกจัดเข้าที่เรียบร้อย เนื่องจากอาจทำให้ผู้โดยสารได้รับบาดเจ็บในกรณีที่เกิดอุบัติเหตุ
- ตรวจสอบให้แน่ใจว่าติดตั้งคาร์ซีทในลักษณะที่ไม่มีชิ้นส่วนติดหรือขัดส่วนของเบาะ หรือประตูรถ เป็นต้น
- คาร์ซีทสามารถติดตั้งได้เฉพาะแบบหันหน้าเข้าหาเบาะเท่านั้น
- ตรวจสอบให้แน่ใจเสมอว่าสายรัดได้รับการปรับให้พอดีกับร่างกายของลูกของคุณอย่างถูกต้อง สายรัดถูกปรับโดยการเลื่อนส่วนรองรับศีรษะ
- ตรวจสอบให้แน่ใจว่าหลังของเด็กถูกดันชิดเข้ากับคาร์ซีทเรียบร้อยก่อนรัดเข็มขัดนิรภัย
- ตรวจสอบให้แน่ใจเสมอว่าสายรัดกระชับแน่นกับลูกของคุณและหัวเข็มขัดล็อกอย่างสมบูรณ์โดยที่คุณจะไม่สามารถบีบปลดสายรัดได้
- ตรวจสอบให้แน่ใจว่าสายรัดไม่มีการบิดเบี้ยว
- ตรวจสอบให้แน่ใจเสมอว่า ซัพพอร์ตขาด้านหลัง (support-leg) อยู่ในตำแหน่งที่ถูกต้องและสัมผัสกับพื้นรถ ตรวจสอบว่าตัวบ่งชี้ที่ด้านหลังของขารองรับเป็นสีเขียวและคุณไม่ได้ยินเสียงบีบจากซัพพอร์ตขาด้านหลัง
- อย่าพยายามถอด ประกอบ หรือตัดแปลงส่วนใดส่วนหนึ่งของคาร์ซีท การปรับประกันและประสิทธิภาพความปลอดภัยของเบาะรถยนต์อาจได้รับผลกระทบหากทำเช่นนั้น
- ห้ามใช้คาร์ซีทโดยไม่มีผ้าคลุมเบาะนั่ง เบาะที่นั่งเป็นคุณสมบัติด้านความปลอดภัยและอาจถูกแทนที่ด้วยผ้าหุ้มเบาะนั่งเดิมของ Axkid เท่านั้น
- อ่านคู่มือรถเพื่อดูว่าตำแหน่งที่นั่งใดที่เหมาะสมกับการติดตั้งคาร์ซีท
- Axkid แนะนำให้ใช้อุปกรณ์ป้องกันที่นั่งหรือเบาะรองคาร์ซีทเสมอเพื่อปกป้องเบาะรถยนต์ของคุณจากรอยขีดข่วนและสิ่งสกปรก
- มีข้อสงสัยโปรดติดต่อตัวแทนจำหน่าย หรือติดต่อ [info@axkid.com](mailto:info@axkid.com)

# สารบัญ

ชั้นส่วน	184
ตำแหน่งที่อนุญาตและไม่อนุญาตให้ติดตั้งคาร์ซีท Axxid ONE 3	186
การติดตั้งคาร์ซีท Axxid ONE 3 ในรถยนต์	187
การใช้งานของลูกของคุณกับคาร์ซีท Axxid ONE 3	188
การปรับที่นั่ง	189
การปรับคาร์ซีท Axxid ONE 3	189
การถอดคาร์ซีท Axxid ONE 3 ออกจากรถยนต์	190
การดูแลและบำรุงรักษา	190
การรับประกัน	191

# ชั้นล่าง





สายคาดไหล่ (A)	ปุ่มปรับพนักพิงศีรษะ (M)
ปุ่มปลดหัวเข็มขัด (B)	ปุ่มปรับพื้นที่วางขา (N)
ปุ่มปลดตัวค้ำยันกันกระแทกด้านหน้า (C)	ที่จับด้านหลัง (O)
ตัวค้ำยันกันกระแทกด้านหน้า (D)	ตัวบ่งชี้ตำแหน่งซัพพอร์ตชาด้านหน้า (P)
พนักพิงศีรษะ (E)	สายคล้องซัพพอร์ตชาด้านหน้า (Q)
ตัวบ่งชี้ระดับสายตา (F)	ซัพพอร์ตชาด้านหน้า (R)
แผ่น ASIP (G)	ตัวแสดงสถานะเสียง (S)
ปุ่มปรับเอน (H)	ปุ่มปลดสายรัด (T)
ปุ่มซัพพอร์ตชาด้านหน้า (I)	สายรัดตามแรงดึง (U)
ตัวต่อ ASIP (J)	ตัวบ่งชี้การล็อก ISOFIX (V)
ลูกบิดตัวค้ำยันกันกระแทกด้านหน้า (K)	ปุ่ม ISOFIX (X)
ตัวกันกระแทกด้านข้าง (L)	ตัวเชื่อมต่อ ISOFIX (Y)

# ตำแหน่งที่อนุญาตและไม่อนุญาตให้ติดตั้ง คาร์ซีท Axkid ONE 3

คาร์ซีท Axkid ONE 3 สามารถติดตั้งแบบหันหน้าเข้าหาเบาะโดยใช้ ISOFIX เท่านั้น โดยได้รับอนุญาตให้ใช้ในตำแหน่งที่นั่งที่ได้รับการรับรอง i-Size ทั้งหมด แต่ก็อาจรวมถึงตำแหน่งที่นั่ง ISOFIX อื่นๆที่ไม่ได้รับการรับรองจาก i-Size ด้วย ทั้งนี้สามารถตรวจสอบคู่มือการใช้งานรถของคุณเพื่อค้นหาตำแหน่งที่นั่งที่เหมาะสมและตรวจสอบยี่ห้อรถได้ที่ [www.axkid.com](http://www.axkid.com)

เบาะที่นั่งผู้โดยสารด้านหน้าพร้อม ISOFIX (ไม่มีถุงลมนิรภัยแบบแอคทีฟ)	ใช่/ไม่ใช่*
เบาะที่นั่งผู้โดยสารด้านหน้าพร้อม ISOFIX (มีถุงลมนิรภัยแบบแอคทีฟ)	ไม่ใช่
เบาะที่นั่งผู้โดยสารด้านหลังพร้อม ISOFIX	ใช่
เบาะที่นั่งหันข้างและหันหน้าเข้าหาเบาะ พร้อม ISOFIX	ไม่ใช่
เบาะที่นั่งที่ไม่มี ISOFIX	ไม่ใช่



ข้อสำคัญ: หากคุณต้องการติดตั้งคาร์ซีท Axkid ONE 3 ในตำแหน่งที่ติดตั้งถุงลมนิรภัยด้านหน้า ถุงลมนิรภัยจะต้องถูกตัดการเชื่อมต่อตามคำแนะนำของผู้ผลิตรถยนต์ของคุณ โปรดทราบว่ารถยนต์บางคันต้องใช้ศูนย์บริการที่ได้รับอนุญาตเพื่อถอดถุงลมนิรภัย

\* ข้อบังคับทั่วไปของการจราจรในสเปนในมาตรา 117 กำหนดข้อห้ามในการขับขี่กับเด็กที่มีรูปร่างเท่ากับหรือน้อยกว่า 135 เซนติเมตรที่นั่งอยู่ในที่นั่งด้านหน้าของรถโดยไม่มีข้อยกเว้น



ห้ามติดตั้งคาร์ซีทเด็กในที่นั่งผู้โดยสารที่ติดตั้งถุงลมนิรภัยที่ใช้งานอยู่





# การติดตั้งคาร์ซีท Axkid ONE 3 ในรถยนต์

1

ก่อนติดตั้งคาร์ซีท Axkid ONE 3 ในรถของคุณ ให้ลดขนาดลงโดยปล่อยปุ่มปรับพื้นที่วางขา (N) และเลื่อนเบาะนั่งไปทางตัวค้ำยันกันกระแทกด้านหน้า (D) พับชีพพอร์ดชาด้านหน้า (R) ลงจนกว่าจะได้ยินเสียงคลิกและตัวบ่งชี้ตำแหน่งชีพพอร์ดชาด้านหน้า (P) จะเปลี่ยนเป็นสีเขียว

2

ปลดปุ่มตัวค้ำยันกันกระแทกด้านหน้า (C) และพับรั้งด้านหน้า (D) ไปทางที่นั่ง จับตัวค้ำยันกันกระแทกด้านหน้า (D) ด้วยมือข้างหนึ่ง แล้วจับที่จับด้านหลัง (O) ด้วยมืออีกข้างหนึ่งและยกเบาะนั่งในรถ Axkid ONE 3 ขึ้นรถ (D) ก่อนแล้วจึงหมุนไปยังตำแหน่งหันหน้าเข้าหาเบาะ

3

ดันตัวเชื่อมต่อ ISOFIX (Y) เข้าไปในจุดเชื่อมต่อ ISOFIX ในรถจนกว่าคุณจะได้ยินเสียงคลิกและไฟแสดงสถานะการล็อก ISOFIX (V) ทั้งสองข้างจะเปลี่ยนเป็นสีเขียว

4

ปลดตัวค้ำยันกันกระแทกด้านหน้า (D) ให้ยึดตัวกับเบาะรถ เมื่อหยุดให้หมุนลูกบิดตัวค้ำยันกันกระแทกด้านหน้า (K) ตามเข็มนาฬิกาจนกว่าคุณจะรู้สึกและได้ยินเสียงคลิก ซึ่งตัวค้ำยันกันกระแทกด้านหน้า (D) ควรกดให้แน่นกับเบาะรถ ลูกบิดตัวค้ำยันกันกระแทกด้านหน้า (K) จำกัดการบิดและจะติดล็อกเมื่อตัวค้ำยันกันกระแทกด้านหน้า (D) แน่นหนาถูกต้องและไม่สามารถบิดหมุนให้แน่นขึ้นได้อีกต่อไป

5

กดปุ่มชีพพอร์ดชาด้านหน้า (I) และดึงชีพพอร์ดชาด้านหน้า (R) ลงจนสัมผัสกับพื้นรถ ปล่อยปุ่มชีพพอร์ดชาด้านหน้า (I) และยกเบาะรถขึ้นด้านบนเพื่อขยายชีพพอร์ดชาด้านหน้า (R) ต่อไปจนกว่าคุณจะได้ยินเสียงคลิกชีพพอร์ดชาด้านหน้า (R) ควรล็อกและกดให้แน่นกับพื้นรถ หมายเหตุ: คาร์ซีท Axkid ONE 3 ติดตั้งไฟแสดงสถานะเสียงบีบ (S) ซึ่งจะส่งเสียงบีบเตือนเนื่องจากชีพพอร์ดชาด้านหน้า (R) จะถูกกดลงกับพื้นอย่างแน่นหนาซึ่งบ่งชี้ว่าการติดตั้งถูกต้อง

6

ดันแผ่น ASIP (G) เข้าไปในช่องบนตัวต่อ ASIP (J) แล้วเลื่อนลงแผ่น ASIP (G) จะคลิกเข้าที่ หากมีฝาปิดพลาสติกบนหัวต่อ ASIP (J) ให้ถอดออกและวางบนตัวต่อ ASIP (J) ที่ด้านตรงข้ามของที่นั่งก่อนติดตั้งแผ่น ASIP (G) ตรวจสอบให้แน่ใจว่าแผ่น ASIP (G) ติดอยู่ที่ด้านข้างของคาร์ซีท Axkid ONE 3 ที่อยู่ใกล้กับประตูรถมากที่สุด



# ล็อคตัวลูกของคุณไว้กับคาร์ซีท Axkid ONE 3

ก่อนที่จะล็อคลูกของคุณในคาร์ซีท Axkid ONE 3 ตรวจสอบให้แน่ใจว่าคุณได้ติดตั้งคาร์ซีทอย่างถูกต้อง Axkid ONE 3 ออกแบบมาเพื่อให้เติบโตไปพร้อมกับลูกของคุณและเพื่อให้แน่ใจว่านั่งสบายและปลอดภัยสำหรับเด็ก Axkid แนะนำให้ใช้คาร์ซีทจนกว่าตัวคาร์ซีทจะแนบเกินไปสำหรับลูกของคุณ แต่ควรใช้ถึงความเสี่ยงที่ต่ำตามตารางด้านล่าง (โปรดทราบว่าอายุเป็นเพียงข้อบ่งชี้):

อายุ	ความสูง	
ทารก 0-6 เดือน (Axkid ONE 3+ เท่านั้น)	0 – 60 ซม	
เด็กวัยหัดเดิน 0-3 ปี	61 – 105 ซม	
เด็ก 3-7 ปี	106 – 125 ซม	

7

คลายสายรัดโดยกดปุ่มปลดสายรัด (T) และดึงสายคาดไหล่ทั้งสองข้าง (A) ออกพร้อมกัน หลีกเลี่ยงการดึงสายรัดเพียงเส้นเดียวในขณะนั้น เนื่องจากอาจทำให้สายคาดไหล่ (A) ไม่เสมอกันได้

8

ปลดล็อกหัวเข็มขัดโดยกดปุ่มปลดหัวเข็มขัด (B) และวางสายรัดไว้นอกที่นั่ง

9

วางลูกของคุณบนที่นั่งและวางสายคาดไหล่ (A) ไว้เหนือไหล่ของเด็ก ล็อคสายรัดโดยวางตำแหน่งขึ้นส่วนของหัวเข็มขัดที่ติดอยู่กับสายคาดไหล่ (A) เข้าด้วยกันก่อนแล้วดันเข้าไปในหัวเข็มขัดจนกว่าคุณจะได้ยินเสียงคลิก

10

ปรับพนักพิงศีรษะ (E) จนกว่าตัวบ่งชี้ระดับสายตา (F) จะสอดคล้องกับดวงตาของลูกโดยกดปุ่มปรับพนักพิงศีรษะทั้งสองปุ่ม (M) แล้วเลื่อนขึ้นหรือลง หมายเหตุ: ห้ามใช้ตัวบ่งชี้ระดับสายตา (F) เมื่อใช้กับทารก (Axkid ONE 3+ เท่านั้น) เมื่อใช้ Axkid ONE 3+ สำหรับทารก ตรวจสอบให้แน่ใจเสมอว่าพนักพิงศีรษะอยู่ในตำแหน่งต่ำสุด

11

ตรวจสอบว่าสายคาดไหล่ (A) ผ่านที่นั่งตรงจากไหล่ของบุตรหลานหรือสูงสุด 1 ซม. ขึ้นไป คุณอาจต้องปรับพนักพิงศีรษะ (E) อีกครั้งแม้ว่าจะทำให้ตัวบ่งชี้ระดับสายตาไม่สอดคล้องกับดวงตาของลูกก็ตาม ตอนนี้ดึงสายคาดไหล่ (A) เพื่อกระชับสายรัดเหนือสะโพกของลูกคุณ ในขณะที่รักษาความตึงของสายคาดไหล่ (A) ให้ดึงสายรัดหัวเข็มขัด (U) จนกว่าสายรัดจะแนบพอ โดยไม่ควรให้สายรัดแนบเกินกว่าที่นั่งนี้มีระยะห่างสายคาดไหล่ (A) กับไหล่ของลูกของคุณ



## การปรับที่นั่ง

หลังจากติดตั้งคาร์ซีท Axkid ONE 3 ในรถของคุณแล้ว คุณสามารถปรับทั้งพื้นที่วางขาและตำแหน่งปรับเอนสำหรับลูกของคุณได้อย่างง่ายดาย นอกจากนี้ยังสามารถทำได้ในขณะที่ลูกของคุณถูกวางอยู่ในคาร์ซีท

เพื่อให้แน่ใจว่าพอดีกับรถทุกคันและให้การปกป้องที่ดีที่สุดสำหรับลูกของคุณ Axkid ขอแนะนำให้คุณใช้ตำแหน่งน้ำหนักตามเครื่องหมายที่ด้านข้างของเบาะรถ เมื่อลูกของคุณโตขึ้นสิ่งสำคัญคือต้องปรับเอนให้อยู่ในตำแหน่งที่ตั้งตรงมากขึ้นเพื่อให้การป้องกันที่ดีที่สุดสำหรับคอของลูกของคุณในกรณีที่เกิดอุบัติเหตุ การระบุนาตาขึ้นอยู่กับความสูงของลูกของคุณ ตรวจสอบให้แน่ใจว่าลูกครึ่งทั้งสองขึ้นไปที่โซนที่ถูกต้อง

อายุ	การปรับเปลี่ยน	
ทารก 0-6 เดือน (Axkid ONE 3 + เท่านั้น)	ปรับเอนได้สูงสุด พื้นที่วางขาชั้นต่ำ	<p>0-60 cm</p>
เด็กวัยหัดเดิน 0-3 ปี	ทุกตำแหน่งปรับเอนได้ ตำแหน่งพื้นที่วางขาหลายตำแหน่ง	<p>61-105 cm</p>
เด็ก 3-7 ปี	ตำแหน่งตั้งตรงสูงสุด พื้นที่วางขาสูงสุด	<p>106-125 cm</p>

## การปรับคาร์ซีท Axkid ONE 3

- พื้นที่วางขาถูกปรับโดยปล่อยปุ่มปรับพื้นที่วางขา (N) และเลื่อนที่นั่งไปข้างหน้าหรือข้างหลัง เพื่อหลีกเลี่ยง Axkid ONE 3 จากการเลื่อนไปข้างหน้าโดยไม่ตั้งใจ ให้จับที่จับด้านหลัง (O) แล้วดึงไปข้างหลังเบาๆ ก่อนปล่อยปุ่มปรับพื้นที่วางขา (N)
- ตำแหน่งปรับเอนของคาร์ซีทสามารถปรับได้โดยหมุนปุ่มปรับเอนได้ (H)



## การถอดคาร์ซีท Axkid ONE 3 ออกจากรถ

- กดปุ่มชัฟเฟอร์ด้านหน้า (I) และปรับชัฟเฟอร์ด้านหน้า (R) ไปยังตำแหน่งที่สั้นที่สุด
- เลื่อนปุ่มปลดตัวค้ำยันกันกระแทกด้านหน้า (C) และปรับตัวค้ำยันกันกระแทกด้านหน้า (D) ไปทางที่นิ่งเพื่อลดความตึงกับเบาะรถ
- ถอดตัวต่อ ISOFIX (Y) โดยกดปุ่ม ISOFIX (X) ลงแล้วเลื่อนไปข้างหลังให้ห่างจากเบาะรถ
- จับตัวค้ำยันกันกระแทกด้านหน้า (D) ด้วยมือข้างหนึ่งและจับที่จับด้านหลัง (O) ด้วยมืออีกข้างหนึ่งแล้วยกคาร์ซีท Axkid ONE 3 ออกจากรถของคุณ
- พับชัฟเฟอร์ด้านหน้า (R) ขึ้นโดยดึงสายรัดปลดชัฟเฟอร์ (Q) แล้วพับขึ้น (R)

## การดูแลและบำรุงรักษา

- ปลอกที่นั่งผ้าสามารถซักด้วยเครื่องที่ 30° C โดยใช้ไหมดกนุ่มผ้า อย่าใส่ปลอกผ้าในเครื่องอบผ้าเพราะอาจทำให้ตัวปลอกเสียหายและตัวแผ่นรองอาจแยกออกจากปลอกผ้าได้ ไปที่ [www.axkid.com](http://www.axkid.com) เพื่อค้นหาวิดีโอที่อธิบายวิธีถอดและใส่ปลอกผ้าคาร์ซีท
- หากต้องการถอดผ้าหุ้มออกจากเบาะ ให้ดึงผ้าหุ้มด้านข้าง (ซ้ายมือ) ออกทางด้านนอก แล้วปลดห่วงของผ้าออก ปลดกระดุมตรงพนักพิงหลัง แล้วค่อย ๆ ถอดผ้าหุ้มออกจากเบาะนั่งเบา ๆ เปิดซิปที่พนักพิงและค่อย ๆ ถอดปลอกออกจากที่นั่ง จดบันทึกวิธีการติดรอบที่นั่งเพื่อให้ใส่กลับได้ง่ายขึ้น เมื่อติดตั้งปลอกด้านข้าง (L) กลับเข้าไปใหม่ให้สอดเข้าไปใต้กรอบลูมิเนียมและดันกลับเข้าไปในตัวยีสแน็ปอิน หากต้องการถอดผ้าหุ้มพนักพิงศีรษะ ให้คลายซิปและปลดกระดุมทางด้านกลางของพนักพิงศีรษะและผ้าหุ้มเบาะรองหลัง จากนั้นค่อย ๆ ถอดผ้าหุ้มออกมา ๆ
- หากจำเป็นต้องเปลี่ยนผ้าหุ้มเบาะที่นั่ง ให้ตรวจสอบว่าใช้เฉพาะผลิตภัณฑ์ดั้งเดิมจาก Axkid เท่านั้น หากมีการใช้ผลิตภัณฑ์อื่น ๆ ระบบความปลอดภัยของคาร์ซีท Axkid อาจถูกรบกวนและอาจนำไปสู่การบาดเจ็บสาหัสในกรณีที่เกิดอุบัติเหตุ
- ชิ้นส่วนพลาสติกใดๆ ของคาร์ซีท Axkid สามารถทำความสะอาดได้ด้วยน้ำและผงซักฟอกอ่อนๆ อย่าใช้สารเคมีที่มีฤทธิ์รุนแรงที่มีตัวทำลายหรือคล้ายกันเพราะอาจทำให้พลาสติกเสียหายและทำให้ความปลอดภัยของคาร์ซีทลดลง
- วัสดุทั้งหมดที่ใช้ในคาร์ซีท Axkid ONE 3 สามารถรีไซเคิลได้และควรรีไซเคิลตามกฎหมายท้องถิ่นของคุณ ขอคำแนะนำจากศูนย์รีไซเคิลในพื้นที่ของคุณเมื่อรีไซเคิลผลิตภัณฑ์นี้
- ไฟแสดงสถานะเสียง (S) ประกอบด้วยแบตเตอรี่ CR1632 แบบถอดเปลี่ยนได้ โปรดถอดและรีไซเคิลแบตเตอรี่ตามกฎหมายท้องถิ่นของคุณเมื่อไม่ใช้คาร์ซีท Axkid ONE 3 อีกต่อไป โดยคลายเกลียวสกรูสองตัวที่ด้านล่างของซารองรับ (R) และถอดฝาครอบออกเพื่อเข้าถึงแบตเตอรี่
- ห้ามตัดแปลงหรือปรับเปลี่ยนคาร์ซีท Axkid ONE 3 นอกเหนือจากที่อธิบายไว้ในคู่มือการใช้งานนี้
- การซ่อมแซมใดๆ จะต้องถูกดำเนินการโดยผู้ผลิตหรือตัวแทนจำหน่ายเท่านั้น

## การรับประกัน

คาร์ซีท Axkid รับประกัน 24 เดือนนับจากวันที่ซื้อ ตรวจสอบให้แน่ใจว่าคุณบันทึกใบเสร็จและนำไปยังสถานที่ที่ซื้อเมื่อคุณมีปัญหากับการรับประกัน

การรับประกันไม่ครอบคลุมถึง:

- การสึกหรอตามปกติ
- ความเสียหายอันเนื่องมาจากการใช้งานที่ไม่ถูกต้อง การละเลย หรืออุบัติเหตุ
- หากการซ่อมแซมถูกดำเนินการโดยบุคคลที่สาม
- วัสดุทั้งหมดที่ใช้มีระดับความต้านทานรังสีสูงมาก อย่างไรก็ตามแสงยูวีมีความแรงมากและในที่สุดจะนำไปสู่การซีดจางของพลาสติกที่นั่ง สิ่งนี้ไม่ครอบคลุมอยู่ในการรับประกันของเราเนื่องจากถือว่าการสึกหรอตามปกติ
- จับที่นั่งด้วยความระมัดระวัง โปรดทราบว่าผ้าตาข่ายด้านหลังมีรอยขีดข่วนได้ง่ายและความเสียหายนอกเหนือจากตาข่ายที่ผิดพลาดจากโรงงานจะไม่อยู่ภายใต้การรับประกัน

### การรีไซเคิลเบาะคาร์ซีทของคุณ



Axkid ขอแนะนำให้รีไซเคิลเบาะคาร์ซีทเก่า ก่อนส่งที่นั่งคาร์ซีทไปที่สถานีรีไซเคิลในพื้นที่ของคุณให้ตัดสายรัดออกจากที่นั่ง ถอดปลอกผ้า ถอดชิ้นส่วนโฟมออกให้มากที่สุด แยกชิ้นส่วนโลหะและพลาสติกถ้าเป็นไปได้ ชิ้นส่วนหลักของที่นั่งควรทำเครื่องหมายว่าไม่ปลอดภัยหรือหมดอายุ (ใช้เครื่องหมาย) เพื่อป้องกันไม่ให้ใครนำไปใช้ซ้ำ โปรดตรวจสอบแนวทางของเทศบาลในพื้นที่ของคุณสำหรับคำแนะนำในการรีไซเคิลวัสดุต่างๆ

# Дякуємо, що вибрали Axkid ONE 3

Прочитайте цю інструкцію з експлуатації, перш ніж встановлювати автокрісло у вашому автомобілі. Для отримання додаткової інформації та відео встановлення відвідайте [www.axkid.com](http://www.axkid.com).

Автокрісло **Axkid ONE 3** – це автокрісло, яке встановлюється проти руху, дозволене для дітей зростом 61-125 см або максимальною вагою 23 кг.

Автокрісло **Axkid ONE+ 3** — це автокрісло, яке встановлюється проти руху, дозволене для дітей зростом 40-125 см або максимальною вагою 23 кг.

Це вдосконалена дитяча система безпеки i-Size. Він схвалений відповідно до Правил ООН № 129 для використання в місцях для сидіння транспортних засобів, сумісних із i-Size, як зазначено виробниками транспортних засобів у посібнику користувача транспортного засобу. Якщо ви сумніваєтеся, зверніться до виробника покращеної системи безпеки для дітей ([www.axkid.com](http://www.axkid.com)) або до роздрібного продавця.

## Важлива інформація

Щоб забезпечити максимальну безпеку вашої дитини, важливо пам'ятати про наступне:

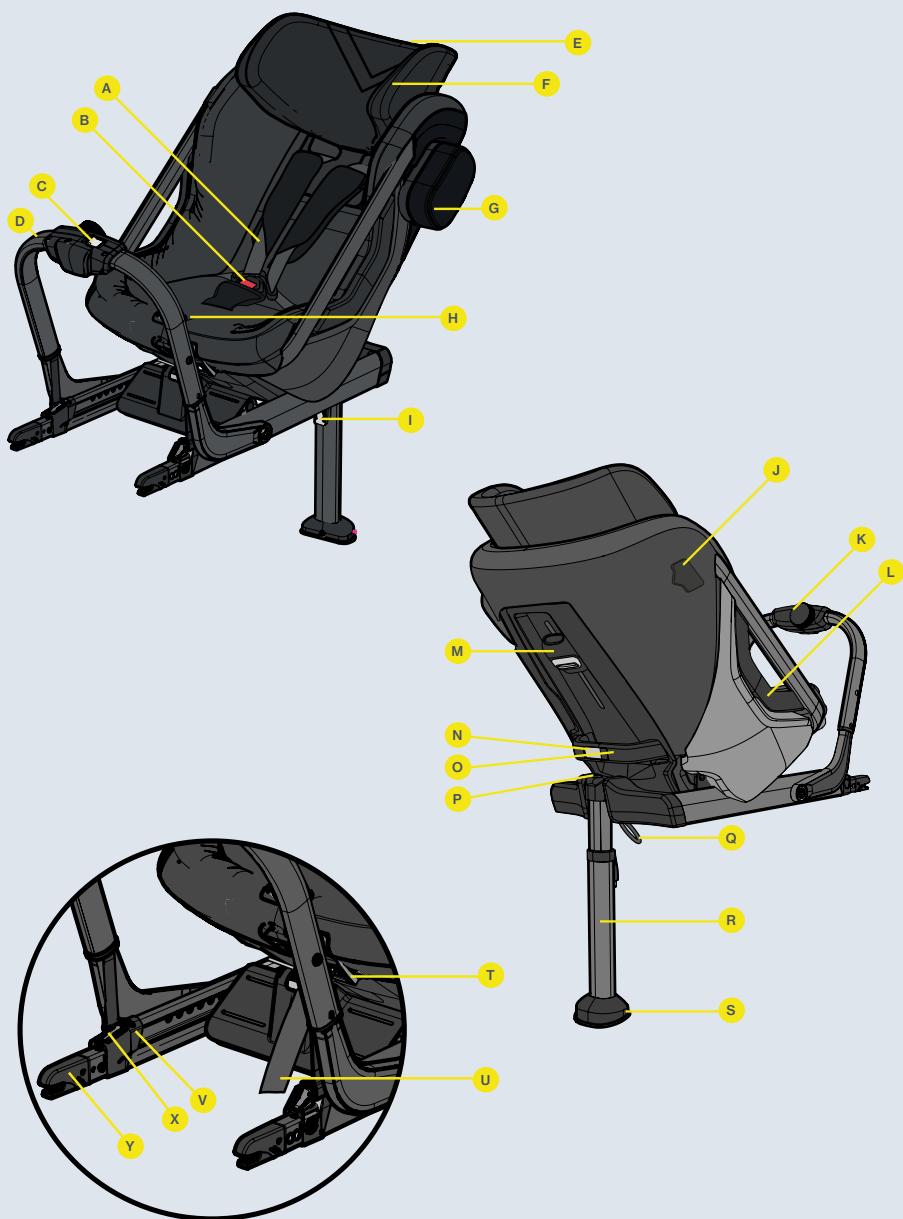
- Завжди дотримуйтесь вказівок у цій інструкції. Неправильне встановлення може серйозно вплинути на безпеку вашої дитини. Якщо ви сумніваєтеся, зверніться до свого продавця, який може продемонструвати правильне встановлення.
- Для ознайомлення з найновішою версією посібника користувача відвідайте вебсайт [www.axkid.com/manuals](http://www.axkid.com/manuals).
- Не використовуйте автокрісло на пасажирському сидінні, де встановлено активну фронтальну подушку безпеки. Якщо ви все ж бажаєте встановити автокрісло в цьому місці, подушку безпеки слід вимкнути відповідно до інструкцій виробника автомобіля.\*п.21.13 ПДР України Дитячі утримуючі системи встановлюють на місцях для сидіння, крім першого ряду. У разі перевезення дитини віком до трьох років у легковому автомобілі на місці для сидіння першого ряду допускається встановлення дитячих утримуючих систем, які встановлюються проти напрямку руху з обов'язковим відключенням фронтальної подушки безпеки цього місця для сидіння (у разі її наявності).
- Якщо ви потрапили в аварію, незалежно від наслідків, ваше автокрісло завжди слід замінити. Воно може мати пошкодження та серйозно вплинути на безпеку вашої дитини. З цієї причини Axkid не рекомендує купувати вживані автокрісла, бо не можливо знати історію використання.
- Якщо автомобільне крісло піддавалося впливу прямих сонячних променів, переконайтеся, що воно не надто гаряче, перш ніж садити дитину.
- Ніколи не залишайте дитину без нагляду в автомобілі.
- Переконайтеся, що будь-який багаж або предмети закріплені у вашому автомобілі, оскільки вони можуть завдати травм пасажирам у разі аварії.
- Переконайтеся, що автокрісло встановлено таким чином, щоб жодні частини не затискалися рухомими сидіннями, дверима автомобіля тощо.
- Автокрісло можна встановлювати лише обличчям проти руху.
- Завжди переконайтеся, що ремені безпеки правильно розташовані на тілі вашої дитини. Ремені регулюються переміщенням підголівника.
- Переконайтеся, що спина дитини притиснута до автокрісла, коли фіксуєте дитину ременем безпеки.
- Завжди переконайтеся, що ремені безпеки міцно затягнуті на вашій дитині, вони не повинні збиратися у складку, якщо їх спробувати стиснути двома пальцями ркуи, а пряжка має бути повністю зафіксована.
- Переконайтеся, що ремені не перекручені.
- Завжди переконайтеся, що опорна ніжка знаходиться у правильному положенні та має контакт з підлогою автомобіля. Переконайтеся, що індикатор у верхній частині опорної ніжки горить зеленим кольором і чи ви не чуєте жодного звукового сигналу від опорної ніжки.
- Не намагайтеся розібрати або змінити будь-яку частину автокрісла. Це може вплинути на гарантію та безпеку автокрісла.
- Ніколи не використовуйте автокрісло без текстильного чохла. Текстильний чохол для сидіння є засобом безпеки, і його можна замінити лише на оригінальний текстильний чохол Axkid.
- Прочитайте інструкцію з експлуатації транспортного засобу, щоб дізнатися, яке місце сидіння у автомобілі підходить для цього автокрісла.
- Axkid рекомендує завжди використовувати захист для автомобільного сидіння, щоб захистити його від подряпин і бруду.
- Якщо у вас виникли сумніви, зверніться до продавця, де було придбано автокрісло, або за адресою [info@axkid.com](mailto:info@axkid.com)



# Зміст

Запчастини	194
Дозволене та заборонене розташування автокрісла Axkid ONE 3	196
Встановлення автокрісла Axkid ONE 3 в автомобіль	197
Фіксація дитини в автокріслі Axkid ONE 3	198
Регулювання положення сидіння автокрісла Axkid ONE 3	199
Регулювання розташування автокрісла Axkid ONE 3	199
Зняття автокрісла Axkid ONE 3 з автомобіля	200
Догляд і обслуговування	200
Гарантія	201

# Запчасти



Плечевий ремень безпеки (A)	Кнопки регулювання підголівника (M)
Кнопка зняття пряжки (B)	Кнопка регулювання простору для ніг (N)
Кнопка розблокування переднього бар'єру (C)	Задня ручка (O)
Передній бар'єр (D)	Індикатор положення опорної ноги (P)
Підголівник (E)	Ремінь для зняття опори для ніг (Q)
Індикатор рівня очей (F)	Опорна нога (R)
Панель ASIP (G)	Звуковий індикатор (S)
Ручка положення нахилу (H)	Кнопка розблокування ремня (T)
Кнопка регулювання опорної ноги (I)	Натяжний ремінь (U)
роз'єм ASIP (J)	Індикатори фіксації ISOFIX (V)
Ручка переднього бар'єру (K)	Кнопки ISOFIX (X)
Бічна кришка (L)	Роз'єми ISOFIX (Y)

# Дозволене та заборонене розташування автокрісла Axkid ONE 3

Автокрісло Axkid ONE 3 можна встановити за допомогою ISOFIX, лише обличчям проти руху. Він схвалений для використання в усіх схвалених i-Size місцях для сидіння, але також може підходити до інших не схвалених i-Size сидінь ISOFIX. Перегляньте інструкцію з експлуатації автомобіля, щоб знайти відповідні місця для сидіння, і перегляньте список транспортних засобів на [www.axkid.com](http://www.axkid.com)

Переднє пасажирське сидіння з ISOFIX (без активної подушки безпеки)	ТАК* / НІ
Сидіння переднього пасажира з ISOFIX (активна подушка безпеки)	НІ
Заднє пасажирське сидіння з ISOFIX	ТАК
Сидіння збоку та проти руху з ISOFIX	НІ
Сидіння без ISOFIX	НІ



**ВАЖЛИВО:** якщо ви бажаєте встановити автокрісло Axkid ONE 3 у місці, де встановлено фронтальну подушку безпеки, подушку безпеки слід вимкнути відповідно до інструкцій виробника автомобіля. Зауважте, що для відключення подушки безпеки деяких автомобілів потрібен авторизований сервісний центр.

\*п.21.13 ПДР України Дитячі утримуючі системи встановлюють на місцях для сидіння, крім першого ряду. У разі перевезення дитини віком до трьох років у легковому автомобілі на місці для сидіння першого ряду допускається встановлення дитячих утримуючих систем, які встановлюються проти напрямку руху з обов'язковим відключенням фронтальної подушки безпеки цього місця для сидіння (у разі її наявності).

\*\* Стаття 117 Загальних правил дорожнього руху в Іспанії встановлює заборону на водіння з дитиною зростом 135 сантиметрів або менше, які знаходяться на передніх сидіннях транспортного засобу без винятків.



Ніколи не встановлюйте дитяче автокрісло на пасажирському сидінні, де встановлено активну подушку безпеки.





## Встановлення автокрісла Axkid ONE 3 в автомобіль

1

Перш ніж встановити автокрісло Axkid ONE 3 у свій автомобіль, зменште його розмір, відпустивши кнопку регулювання простору для ніг (N) і посуňte сидіння до переднього бар'єру (D). Опустіть опорну ніжку (R), доки не почуєте клацання та індикатор положення опорної ніжки (P) не стане зеленим.

2

Натисніть кнопку розблокування переднього бар'єру (C) і складіть передній бар'єр (D) у напрямку до сидіння автокрісла (місця розташування дитини). Продовжуйте тримати передній бар'єр (D) однією рукою, а іншою рукою візьміться за задню ручку (O) і підніміть автокрісло Axkid ONE 3 у свій автомобіль спочатку за передній бар'єр (D), а потім поверніть його, розташувавши у напрямку проти руху (лице дитини має дивитися у заднє вікно).

3

Вставте роз'єми ISOFIX (Y) у точки з'єднання ISOFIX в автомобілі, доки не почуєте клацання, і обидва індикатори фіксації ISOFIX (V) не стануть зеленими.

4

Відпустіть передній бар'єр (D), який почне рухатися у напрямку спинки сидіння автомобіля. Коли він зупиниться, поверніть ручку переднього бар'єру (K) за годинниковою стрілкою, доки не відчуєте та не почуєте клацання, тепер передній бар'єр (D) має бути міцно притиснут до спинки сидіння автомобіля. Ручка переднього бар'єру (K) має вбудований обмежувач крутного моменту, і клацання вказує на те, що передній бар'єр (D) зафіксован правильно і більше не потрібно затягувати.

5

Натисніть кнопку опорної ніжки (I) і потягніть опорну ніжку (R) вниз, поки вона не торкнеться підлоги автомобіля. Відпустіть кнопку опорної ніжки (I) і підніміть автокрісло вгору, щоб ще більше витягнути опорну ніжку (R), доки не почуєте клацання. Тепер опорна ніжка (R) має бути зафіксована та міцно притиснута до підлоги автомобіля. Примітка: автокрісло Axkid ONE 3 оснащено індикатором звукового сигналу (S), який продовжуватиме звуковий сигнал, доки опорна ніжка (R) не буде щільно притиснута до підлоги, вказуючи на правильне встановлення.

6

Просуньте панель ASIP (G) у гнізда на роз'ємі ASIP (J) і посуňte вниз, панель ASIP (G) стане на місце із клацанням. Якщо на роз'ємі ASIP (J) є пластикова кришка, зніміть її та розташуйте на роз'ємі ASIP (J) на протилежному боці сидіння перед тим, як встановити накладку ASIP (G). Переконайтеся, що накладка ASIP (G) прикріплена до того боку автокрісла Axkid ONE 3, яке найближче до дверей автомобіля.



## Фіксація дитини в автокріслі Axkid ONE 3

Перш ніж посадити дитину в автокрісло Axkid ONE 3, переконайтеся, що у кріслі встановлено правильну вставку. Axkid ONE 3 розроблений, щоб рости разом з вашою дитиною та забезпечити комфортну та безпечну посадку для всіх дітей. Axkid рекомендує використовувати відповідну вставку, доки вона не стане занадто тісною для вашої дитини, але до мінімального зросту, відповідно до таблиці нижче (зверніть увагу, що вік є лише орієнтиром):

Вік	Зріст	
Немовля 0-6 місяців (лише Axkid ONE 3 +)	0 – 60 cm	
Малюк 0-3 роки	61 – 105 cm	
Дитина 3-7 років	106 – 125 cm	

7

Послабте ремені, натиснувши кнопку розблокування ремня (Т), і витягніть обидва плечові ремені (А) одночасно. Уникайте тягнути лише один ремінь за раз, оскільки це може призвести до того, що плечові ремені (А) стануть нерівними.

8

Розблокуйте пряжку, натиснувши кнопку розблокування пряжки (В), і розмістіть ремені поза межами сидіння.

9

Помістіть дитину в автокрісло та закріпіть плечові ремені (А) через плече дитини. Зафіксуйте ремінь безпеки, спершу з'єднавши частини пряжки, які прикріплені до плечових ременів (А), а потім проштовхніть їх у пряжку, доки не почуєте клацання.

10

Відрегулюйте підголівник (Е), доки покажчики рівня очей (F) не будуть знаходитися на одній лінії з очима вашої дитини, натиснувши обидві кнопки регулювання підголівника (М), і посуňte його вгору або вниз. Примітка: індикатори рівня очей (F) не повинні використовуватися під час використання вкладки для немовлят (додається лише у комплекті до Axkid ONE 3 +). Використовуючи Axkid ONE 3 + з накладкою для немовлят, завжди переконайтеся, що підголівник знаходиться в найнижчому положенні.

11

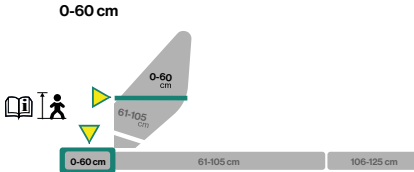
Переконайтеся, що плечові ремені (А) проходять через крісло прямо з плечей вашої дитини або максимум на 1 см вище. Можливо, вам знадобиться знову відрегулювати підголівник (Е), навіть якщо це призведе до того, що індикатор рівня очей буде виходити за межі очей вашої дитини. Тепер потягніть плечові ремені (А), щоб затягнути ремені безпеки на стегнах дитини. Зберігаючи натяг плечових ременів (А), потягніть натяжний ремінь ремня (U), доки ремінь не буде достатньо затягнутий; між плечовими ременями (А) і плечима вашої дитини не повинно бути більше одного пальця.



## Регулювання положення сидіння автокрісла Axkid ONE 3

Після того, як автокрісло Axkid ONE 3 буде встановлено у вашому автомобілі, ви зможете легко відрегулювати як простір для ніг, так і положення нахилу для вашої дитини. Це також можна зробити, коли ваша дитина перебуває в автокріслі.

Щоб забезпечити хорошу посадку в будь-якому автомобілі та найкращий захист для вашої дитини, Axkid переконливо рекомендує використовувати положення, позначені збоку автокрісла. У міру того, як ваша дитина росте, важливо відрегулювати нахил у більш вертикальне положення, щоб забезпечити найкращий можливий захист шиї вашої дитини в разі нещасного випадку. Вказівка розміру залежить від зросту вашої дитини. Переконайтеся, що обидві стрілки вказують на правильну зону.

Вік	Коригування	
Немовля 0-6 місяців (лише Axkid ONE 3 +)	Максимальний нахил Мінімальний простір для ніг	
Малюк 0-3 роки	Усі положення нахилу Кілька положень для ніг	
Дитина 3-7 років	Максимальне вертикальне положення Максимальний простір для ніг	

## Регулювання розташування автокрісла Axkid ONE 3

- Простір для ніг регулюється, відпустивши кнопку регулювання простору для ніг (N) і посунувши сидіння вперед або назад. Щоб уникнути випадкового ковзання Axkid ONE 3 вперед, візьміться за задню ручку (O) і обережно потягніть її назад, перш ніж відпустити кнопку регулювання простору для ніг (N).
- Положення нахилу автокрісла можна регулювати, повертаючи ручку положення нахилу (H).



## Зняття автокрісла Axkid ONE 3 з автомобіля

- Натисніть кнопку опорної ніжки (I) і змініть положення опорної ніжки (R) до найкоротшого.
- Посуньте кнопку розблокування переднього бар'єру (C) і складіть передній бар'єр (D) у напрямку до сидіння автокрісла, щоб зняти напругу на спинку сидіння автомобіля.
- Від'єднайте роз'єми ISOFIX (Y), натиснувши на кнопки ISOFIX (X), а потім посуньте їх назад, від сидіння автомобіля.
- Продовжуйте тримати передній бар'єр (D) однією рукою, а іншою рукою візьміться за задню ручку (O) і підніміть автокрісло Axkid ONE 3 з автомобіля.
- Зігніть опорну ніжку (R), потягнувши ремінь звільнення опорної ніжки (Q) і склавши опорну ніжку (R) догори.

## Догляд і обслуговування

- Текстильний чохол сидіння можна прати в машині при 30° C у режимі делікатного прання. Не кладіть чохол у сушильну машину, оскільки це може пошкодити чохол, а набивка може відокремитися від тканини. Відвідайте [www.axkid.com](http://www.axkid.com), щоб знайти відео, які пояснюють, як зняти та прикріпити чохол.
- Щоб зняти текстильний чохол із сидіння, потягніть бічну частину чохла (L) назовні та від'єднайте петлю текстильного виробу. Відкрийте кнопки на спинці та обережно зніміть чохол із сидіння. Відкрийте блискавки на спинці та обережно зніміть чохол із сидіння. Зверніть увагу на те, як він прикріплений навколо сидіння, щоб його було легше поставити назад. Встановлюючи бічну кришку (L), просуньте її під алюмінієву раму та просто вставте назад у фіксатор. Щоб зняти чохол із підголівника, розстебніть блискавки та відкрийте кнопки внизу підголівника й задньої м'якої частини чохла та обережно зніміть чохол.
- Якщо чохол сидіння потребує заміни, переконайтеся, що використовуються лише оригінальні продукти Axkid. Якщо використовуються інші продукти, система безпеки автокрісла Axkid може бути порушена, що може призвести до серйозних травм у разі аварії.
- Будь-які пластикові деталі автокрісла Axkid можна мити м'яким миючим засобом і водою. Не використовуйте агресивні хімікати, що містять розчинники або подібні, оскільки це може пошкодити пластик і поставити під загрозу безпеку автокрісла.
- Усі матеріали, які використовуються у автокріслі Axkid ONE 3, підлягають повторній переробці та мають бути перероблені відповідно до місцевого законодавства. Зверніться за порадою щодо переробки цього виробу до місцевого центру переробки.
- Звуковий індикатор (S) містить змінну батарейку CR1632. Якщо автомобільне крісло Axkid ONE 3 більше не використовуватиметься, вийміть та утилізуйте акумулятор відповідно до місцевого законодавства. Відкрутіть два гвинти в нижній частині опорної ніжки (R) і зніміть кришку, щоб отримати доступ до батареї.
- Не вносьте жодних модифікацій або змін в автокрісло Axkid ONE 3, крім тих, що описані в цьому посібнику з експлуатації.
- Будь-який ремонт повинен виконуватися виробником або агентом.



# Гарантія

На автокрісло Axkid поширюється гарантія 24 місяці з дати покупки. Обов'язково збережіть свій чек і принесіть його до місця покупки, разом з автокріслом, якщо у вас виникли причини для такого звернення.

## Гарантія не поширюється на:

- Повсякденний знос
- Пошкодження через неправильне використання, недбалість або нещасний випадок.
- Якщо ремонт проводився третьою стороною.
- Усі використані матеріали мають дуже високий рейтинг стійкості до ультрафіолету. Однак ультрафіолетове світло є дуже агресивним і зрештою призведе до вицвітання покриття сидіння. На це не поширюється наша гарантія, оскільки це вважається повсякденним зносом.
- Обережно поводьтеся з автокріслами. Зауважте, що сітчаста тканина задньої сторони легко дряпається, а інші пошкодження, окрім заводської несправної сітки, не покриваються гарантією.

## Переробка вашого сидіння



Axkid наполегливо рекомендує переробляти старі автокрісла. Перш ніж залишити сидіння на місцевій станції переробки, відріжте ремені безпеки від сидіння, зніміть текстильний чохол, видаліть якомога більше деталей із пінополістиролу, відокремте металеві та пластикові частини, якщо можливо. Основна частина крісла повинна бути позначена як небезпечна або прострочена (використовуйте маркер), щоб ніхто не користувався нею знову. Будь ласка, перевірте ваші місцеві муніципальні вказівки щодо інструкцій щодо переробки різних матеріалів.

# Hvala što ste odabrali Axkid ONE 3

Pročitajte ovaj priručnik prije instalacije autosjedačice u vaše vozilo.  
Za više informacija i instalacijske videozapise posjetite [www.axkid.com](http://www.axkid.com).

**Axkid ONE 3** je dječja autosjedačica okrenuta u smjeru suprotnom od smjera vožnje, odobrena za djecu visine između 61-125 cm ili s maksimalnom težinom od 23 kg.  
**Axkid ONE+ 3** je dječja autosjedačica okrenuta u smjeru suprotnom od smjera vožnje, odobrena za djecu visine između 40-125 cm ili s maksimalnom težinom od 23 kg.

Ovo je poboljšani sustav za sigurnost djece prema i-Size standardima (R129). Odobren je prema UN propisu br. 129 za upotrebu na sjedalima vozila kompatibilnim s i-Size standardima, kako je naznačeno od strane proizvođača vozila u korisničkom priručniku vozila. U slučaju sumnje, konzultirajte proizvođača ([www.axkid.com](http://www.axkid.com)) ili prodavača.

## Važne informacije

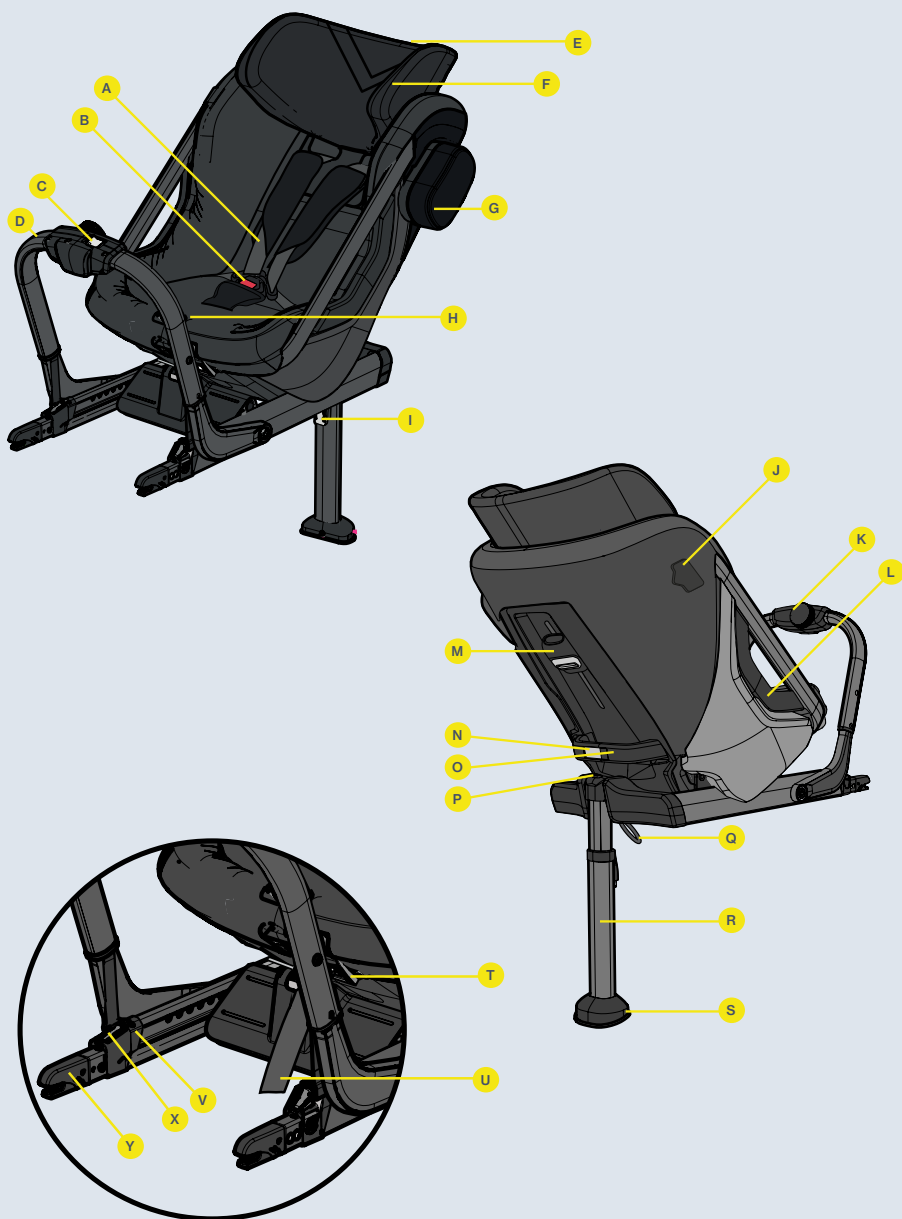
Kako biste maksimalno osigurali vaše dijete, važno je imati na umu sljedeće:

- Uvijek slijedite upute u ovom priručniku. Nepravilna instalacija može ozbiljno utjecati na sigurnost vašeg djeteta. U slučaju sumnje ili nesigurnosti, obratite se trgovcu koji vam može demonstrirati ispravnu instalaciju.
- Najnoviju verziju korisničkog priručnika potražite na adresi [www.axkid.com/manuals](http://www.axkid.com/manuals).
- Nemojte koristiti autosjedačicu na sjedalu gdje je ugrađen aktivni frontalni zračni jastuk. Ako ipak želite instalirati autosjedačicu na tom mjestu, zračni jastuk mora biti isključen prema uputama proizvođača vozila.
- U slučaju nesreće, bez obzira na to koliko je mala, autosjedačica uvijek treba biti zamijenjena. Može imati oštećenja koja nisu vidljiva, a koja ozbiljno mogu utjecati na sigurnost vašeg djeteta. Iz tog razloga, Axkid ne preporučuje kupnju rabljenih autosjedačica.
- Ako je autosjedačica izložena izravnom suncu, provjerite je li autosjedačica dovoljno hladna prije nego što smjestite dijete.
- Nikada ne ostavljajte dijete samo u vozilu.
- Osigurajte da su prtljaga ili slobodni predmeti dobro pričvršćeni u vašem vozilu, jer mogu uzrokovati ozljede putnicima u slučaju nesreće.
- Osigurajte da je autosjedačica instalirana na način da nijedan dio ne može zaglaviti između pomičnih sjedala, vrata automobila itd.
- Autosjedačica se smije instalirati samo okrenuta u obrnutom smjeru vožnje (dijete gleda prema stražnjem dijelu auta).
- Uvijek provjerite je li pojas pravilno podešen da odgovara tijelu vašeg djeteta. Podešavanje pojasa vrši se pomicanjem potpore za glavu.
- Pazite da su leđa djeteta pritisnuta uz autosjedačicu prilikom pričvršćivanja pojasa.
- Uvijek se uvjerite da je pojas čvrsto zategnut oko djeteta i da je kopča potpuno zaključana, ne bi smjelo biti moguće stisnuti pojaseve.
- Provjerite da nema uvijanja u pojasevima.
- Uvijek se pobrinite da je potporna noga u ispravnom položaju i da ima kontakt s podom vozila. Provjerite je li pokazivač na vrhu potpore zelen i da ne čujete nikakav zvučni signal iz donjeg dijela potporne noge.
- Nemojte pokušavati rastavljati niti mijenjati bilo koji dio autosjedačice. Jamstvo i sigurnosna učinkovitost autosjedačice mogli bi biti nevaljani ako to učinite.
- Nikada ne koristite autosjedačicu bez tekstilne navlake sjedala. Tekstilna navlaka sjedala je sigurnosna značajka i može se zamijeniti samo originalnom tekstilnom navlakom od Axkida.
- Pročitajte priručnik vozila kako biste saznali koja su sjedala prikladna za ovu autosjedačicu.
- Axkid preporučuje uvijek koristiti zaštitu sjedala kako biste zaštitili sjedalo vašeg vozila od ogrebotina i prljavštine.
- Ako imate bilo kakvih sumnji, obratite se prodavaču gdje je autosjedačica kupljena ili kontaktirajte [info@axkid.com](mailto:info@axkid.com).

# Sadržaj

Dijelovi	204
Dopušteno i nedopušteno pozicioniranje Axxkid ONE 3 autosjedalice.	206
Instaliranje Axxkid ONE 3 autosjedalice u automobil	207
Pričvršćivanje djeteta u autosjedalici Axxkid ONE 3	208
Podešavanje sjedala	209
Podešavanje autosjedalice Axxkid ONE 3	209
Uklanjanje autosjedalice Axxkid ONE 3 iz automobila	210
Njega i održavanje	210
Jamstvo	211

# Dijelovi



Pojasevi za ramena (A)	Gumbi za podešavanje visine naslona za glavu (M)
Gumb za otpuštanje kopče (B)	Gumb za podešavanje prosora za noge (N)
Gumb za otpuštanje prednje potpore (C)	Stražnja ručka (O)
Prednja potpora (D)	Indikator položaja potporne noge (P)
Naslon za glavu (E)	Traka za otpuštanje potporne noge (Q)
Indikator za razinu očiju (F)	Potporna noga (R)
ASIP jastučić (G)	Indikator zvuka (S)
Regulator za podešavanje nagiba (H)	Gumb za otpuštanje sigurnosnih pojaseva (T)
Gumb za potpornu nogu (I)	Traka za podešavanje sigurnosnih pojaseva (U)
ASIP konektor (J)	Indikatori zaključavanja ISOFIX sustava (V)
Regulator za prednju potporu (K)	ISOFIX gumbi (X)
Bočna navlaka (L)	ISOFIX konektori (Y)

# Dozvoljeno i nedozvoljeno pozicioniranje Axkid ONE 3 autosjedalice

Axkid ONE 3 autosjedalica može se instalirati u automobilu isključivo u suprotnom smjeru vožnje pomoću ISOFIX-a. Odobrena je za korištenje u svim sjedećim položajima odobrenim prema i-Size standardu, ali može odgovarati i drugim sjedećim položajima s ISOFIX-om koji nisu odobreni prema i-Size standardu. Provjerite upute za upotrebu automobila kako biste pronašli odgovarajuće pozicije sjedala i provjerite popis vozila na [www.axkid.com](http://www.axkid.com).

Sjedalo suvozača s ISOFIX-om (bez aktivnog zračnog jastuka)	DA/NE*
Sjedalo suvozača s ISOFIX-om (s aktivnim zračnim jastukom)	NE
Stražnje sjedalo s ISOFIX-om	DA
Bočna sjedala i sjedala okrenuta u suprotni smjer s ISOFIX-om	NE
Sjedala bez ISOFIX-a	NE



**VAŽNO:** Ako želite instalirati svoju Axkid ONE 3 autosjedalicu na mjesto gdje je postavljen frontalni zračni jastuk, zračni jastuk mora biti isključen prema uputama proizvođača vašeg automobila. Imajte na umu da neki automobili zahtijevaju ovlaštenu servisnu centar za isključivanje zračnog jastuka.

\*Opći propisi o prometu u Španjolskoj, u članku 117, utvrđuju zabranu vožnje djece, čija visina iznosi ili je manja od 135 centimetara, smještene na prednjim sjedalima vozila, bez iznimaka.



Nikada nemojte instalirati dječju autosjedalicu na suvozačko sjedalo gdje je ugrađen aktivni zračni jastuk.





# Instalacija dječje autosjedalice Axkid ONE 3 u vozilo

**1**

Prije nego što instalirate dječju autosjedalicu Axkid ONE 3 u svoje vozilo, smanjite njezinu veličinu oslobađanjem gumba za podešavanje prostora za noge (N) i klizanjem sjedala prema prednjoj potpori (D). Preklopote potpornu nogu (R) dok ne čujete klik i dok indikator položaja potporne noge (P) ne postane zelen.

**2**

Pustite gumb za otpuštanje prednje potpore (C) i preklopote prednju potporu (D) prema sjedalu. Nastavite držati prednju potporu (D) jednom rukom, a drugom rukom uhvatite ručku na stražnjoj strani (O) i podignite dječju autosjedalicu Axkid ONE 3 u svoje vozilo prvo s prednjom potporom (D), a zatim je okrenite u suprotan smjer vožnje.

**3**

Pritisnite ISOFIX konektore (Y) u ISOFIX priključne točke u vozilu dok ne čujete klik i dok se oba indikatora zaključavanja ISOFIX-a (V) ne oboje zeleno.

**4**

Pustite prednju potporu (D) koja će se početi zatezati protiv sjedala u vozilu. Kada stane, okrenite gumb prednje potpore (K) u smjeru kazaljke na satu dok ne osjetite i čujete klik; prednja potpora (D) sada bi trebala čvrsto pritisnuti sjedalo u vozilu. Gumb prednje potpore (K) ima ugrađeni limitator momenta sile, a klik ukazuje da je prednja potpora (D) pravilno zategnuta i da je više nije moguće dodatno zategnuti.

**5**

Pritisnite gumb za potpornu nogu (I) i povucite potpornu nogu (R) prema dolje dok ne dođe u dodir s podom vozila. Pustite gumb za potpornu nogu (I) i podignite dječju autosjedalicu prema gore kako biste dodatno produžili potpornu nogu (R) dok ne čujete klik. Potporna noga (R) sada bi trebala biti zaključana i čvrsto pritisnuta uz pod vozila. Napomena: Autosjedalica Axkid ONE 3 opremljena je indikatorom zvučnog signala (S) koji će nastaviti zvučati sve dok potporna noga (R) nije čvrsto pritisnuta uz pod, što ukazuje na ispravnu instalaciju.

**6**

Pritisnite ASIP jastučić (G) u utor na ASIP konektoru (J) i kliznite prema dolje; ASIP jastučić (G) će kliknuti na mjestu. Ako je na ASIP konektoru (J) plastični pokrov, uklonite ga i postavite na ASIP konektor (J) na suprotnoj strani sjedala prije postavljanja ASIP jastučića (G). Pazite da je ASIP jastučić (G) pričvršćen na stranu autosjedalice Axkid ONE 3 koja je najbliža vratima vozila.



# Vežanje vašeg djeteta u dječjoj autosjedalici Axxkid ONE 3

Prije nego što privežete svoje dijete u dječju autosjedalicu Axxkid ONE 3, provjerite imate li pravilno postavljen umetak u sjedalu. Axxkid ONE 3 je dizajniran da raste zajedno s vašim djetetom i osigura udobno i sigurno pristajanje za sve djecu. Axxkid preporučuje korištenje odgovarajućeg umetka sve dok nije preusko za vaše dijete, ali minimalno prema duljini prema tablici u nastavku (napomena: dob je samo pokazatelj):

Dob	Visina	
Novorođenče 0-6 mjeseci (samo Axxkid ONE 3+)	0 – 60 cm	
Manje dijete 0-3 godine	61 – 105 cm	
Dijete 3-7 godina	106 – 125 cm	

7

Otpustite pojas pritiskom na gumb za otpuštanje pojasa (T) i istovremeno povucite oba ramena pojasa (A). Izbjegavajte povlačenje samo jednog pojasa odjednom jer to može uzrokovati neujednačenost ramenih pojaseva (A).

8

Otkopčajte kopču pritiskom na gumb za otpuštanje kopče (B) i stavite pojaseve izvan sjedala.

9

Stavite svoje dijete u sjedalo i položite ramene pojaseve (A) preko ramena vašeg djeteta. Zakopčajte pojas prvo postavljanjem dijelova kopče koji su pričvršćeni za ramene pojaseve (A) zajedno, a zatim ih gurnite u kopču dok ne čujete klik.

10

Podesite naslon za glavu (E) dok indikatori razine očiju (F) ne budu u liniji s očima vašeg djeteta pritiskom na oba gumba za podešavanje naslona za glavu (M) i klizanjem prema gore ili prema dolje. Napomena: indikatori razine očiju (F) ne smiju se koristiti kada koristite umetak za novorođenčad (samo Axxkid ONE 3+). Pri korištenju Axxkid ONE 3+ za novorođenčad, uvijek se pobrinite da je naslon za glavu u najnižem položaju.

11

Provjerite jesu li rameni pojasevi (A) ravno prošli kroz sjedalo s ramena vašeg djeteta ili najviše 1 cm iznad. Možda ćete morati ponovno podesiti naslon za glavu (E), čak i ako to rezultira time da indikator razine očiju nije u liniji s očima vašeg djeteta. Sada povucite ramene pojaseve (A) kako biste zategnuli pojas iznad kukova vašeg djeteta. Dok održavate napetost u ramenim pojasevima (A), povucite traku za zatezanje pojasa (U) dok pojas nije dovoljno zategnut, ne bi trebalo biti moguće staviti više od jednog prsta između ramenih pojaseva (A) i ramena vašeg djeteta.

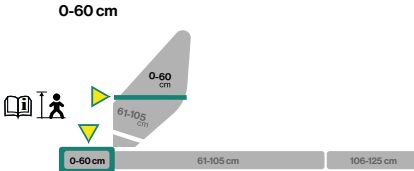
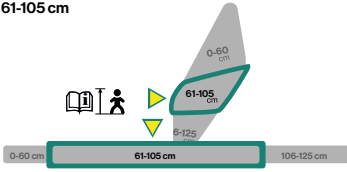
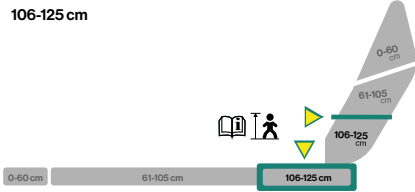




## Podešavanje sjedala

Nakon što je dječja autosjedalica Axkid ONE 3 instalirana u vašem vozilu, možete lako prilagoditi prostor za noge i položaj naslona za svoje dijete. To se također može obaviti dok je vaše dijete vezano u autosjedalici.

Kako biste osigurali dobro pristajanje u svim automobilima i pružili najbolju zaštitu za svoje dijete, Axkid snažno preporučuje korištenje označenih vodilica na bočnoj strani dječje autosjedalice. Kako vaše dijete raste, važno je prilagoditi naslon za sjedenje u uspravniji položaj kako biste pružili najbolju moguću zaštitu za vrat vašeg djeteta u slučaju nesreće. Indikacija veličine temelji se na dužini vašeg djeteta. Pazite da su oba strelice usmjerena prema ispravnoj zoni.

Dob	Podešavanje	
Novorođenče 0-6 mjeseci (samo Axkid ONE 3+)	Maksimalni nagib Minimalni prostor za noge	
Manje dijete 0-3 godine	Svi položaji nagiba Više položaja prostora za noge	
Dijete 3-7 godina	Najveći uspravan položaj Najveći prostor za noge	

## Podešavanje dječje autosjedalice Axkid ONE 3

- Prostor za noge se podešava oslobađanjem gumba za podešavanje prostora za noge (N) i klizanjem sjedala prema naprijed ili prema natrag. Kako biste spriječili slučajno klizanje dječje autosjedalice Axkid ONE 3 prema naprijed, uhvatite ručku na stražnjoj strani (O) i nježno je povucite prema natrag prije nego što oslobodite gumb za podešavanje prostora za noge (N).
- Položaj nagiba autosjedalice može se prilagoditi okretanjem gumba za podešavanje nagiba (H).



# Uklanjanje dječje autosjedalice Axkid ONE 3 iz vozila

- Pritisnite gumb za potpornu nogu (I) i sklopite potpornu nogu (R) na najkraću duljinu.
- Povucite gumb za otpuštanje prednje potpore (C) i preklonite prednju potporu (D) prema sjedalu kako biste minimalizirali otpor sjedala vozila.
- Odspojite ISOFIX konektore (Y) pritiskom prema dolje na ISOFIX gumbe (X), a zatim ih povucite unatrag, dalje od sjedala vozila.
- Nastavite držati prednju potporu (D) jednom rukom, a drugom rukom uhvatite ručku na stražnjoj strani (O) i izvucite dječju autosjedalicu Axkid ONE 3 iz vozila.
- Preklonite potpornu nogu (R) povlačenjem trake za otpuštanje potporne noge (Q) i sklopite potpornu nogu (R) prema gore.

## Njega i održavanje

- Navlaka autosjedalice može se prati u perilici rublja na 30° C u nježnom ciklusu. Ne stavljajte navlaku u sušilicu jer ju to može oštetiti, a punjenje se može odvojiti od tkanine. Posjetite [www.axkid.com](http://www.axkid.com) kako biste pronašli videozapise koji objašnjavaju kako skinuti i pričvrstiti navlaku.
- Da biste skinuli tekstilnu navlaku sa sjedala, povucite prema van na bočnoj navlaci (L) i odvojite ušicu tekstita. Otvorite gumbe na naslonu za leđa i lagano uklonite navlaku sa sjedala. Zapamtite kako je pričvršćena oko sjedala kako biste olakšali ponovno postavljanje. Pri ponovnom postavljanju bočne navlake (L), umetnite ga ispod aluminijskog okvira i jednostavno ga gurnite natrag i pričvrstite. Da biste skinuli navlaku naslona za glavu, otvorite patentne zatvarače i gumbe na dnu naslona za glavu i podstavljene stražnje navlake te lagano uklonite navlaku.
- Ako je potrebna zamjena navlake sjedala, uvjerite se da se koriste samo originalni proizvodi tvrtke Axkid. Ako se koriste drugi proizvodi, sigurnosni sustav autosjedalice tvrtke Axkid može biti ugrožen, što može rezultirati teškim ozljedama u slučaju nesreće.
- Svi plastični dijelovi autosjedalice tvrtke Axkid mogu se čistiti blagim deterdžentom i vodom. Ne koristite agresivne kemikalije koje sadrže otapala ili slično, jer to može uzrokovati oštećenje plastike i ugroziti sigurnost autosjedalice.
- Svi materijali korišteni u dječjoj autosjedalici Axkid ONE 3 se mogu i trebaju reciklirati prema lokalnim propisima. Pitajte lokalni reciklažni centar za savjet kako reciklirati ovaj proizvod.
- Indikator zvuka (S) sadrži zamjenjivu bateriju CR1632. Molimo vas da uklonite i reciklirate bateriju prema lokalnim propisima kada se više ne koristi dječja autosjedalica Axkid ONE 3. Otpustite dva vijka na dnu potporne noge (R) i uklonite poklopac kako biste dobili pristup bateriji.
- Nemojte vršiti nikakve izmjene ili preinake na dječjoj autosjedalici Axkid ONE 3 osim onih opisanih u ovom uputstvu.
- Sve popravke moraju obaviti proizvođač ili ovlašteni servis.

# Jamstvo

Dječja autosjedalica Axkid ima jamstvo od 24 mjeseca od datuma kupnje. Pazite da sačuvate račun i donesete ga na mjesto kupnje ako imate bilo kakvih pitanja vezanih uz jamstvo.

Jamstvo ne pokriva:

- Normalno trošenje i habanje.
- Oštećenja zbog nepravilne upotrebe, zanemarivanja ili nesreće.
- Ako su popravci izvršeni od treće strane.
- Svi korišteni materijali imaju vrlo visoku ocjenu otpornosti na UV svjetlost. Međutim, UV svjetlost je vrlo agresivna i na kraju će dovesti do blijedeња presvlake sjedala. To nije obuhvaćeno našim jamstvom jer se smatra normalnim trošenjem i habanjem.
- Pažljivo rukujte sjedalom. Imajte na umu da se stražnja mrežasta tkanina lako ogrebe, i oštećenja koja nisu uzrokovana torničkim nedostatkom mreže neće biti obuhvaćena jamstvom.

## Recikliranje vaše sjedalice



Axkid snažno preporučuje recikliranje starih autosjedalica. Prije nego što ostavite sjedalicu na vašoj lokalnoj reciklažnoj stanici, odrežite pojaseve od sjedala, skinite tekstilni pokrov, uklonite što više dijelova od stiropora koliko je moguće, odvojite metalne i plastične dijelove ako je moguće. Glavni dio sjedala treba označiti kao neispravan ili istekao (koristite marker) kako biste spriječili bilo koga da ga ponovno koristi. Molimo provjerite smjernice vaše lokalne općine za upute o recikliranju različitih materijala.



FR  
Cet appareil  
et sa batterie  
se recyclent

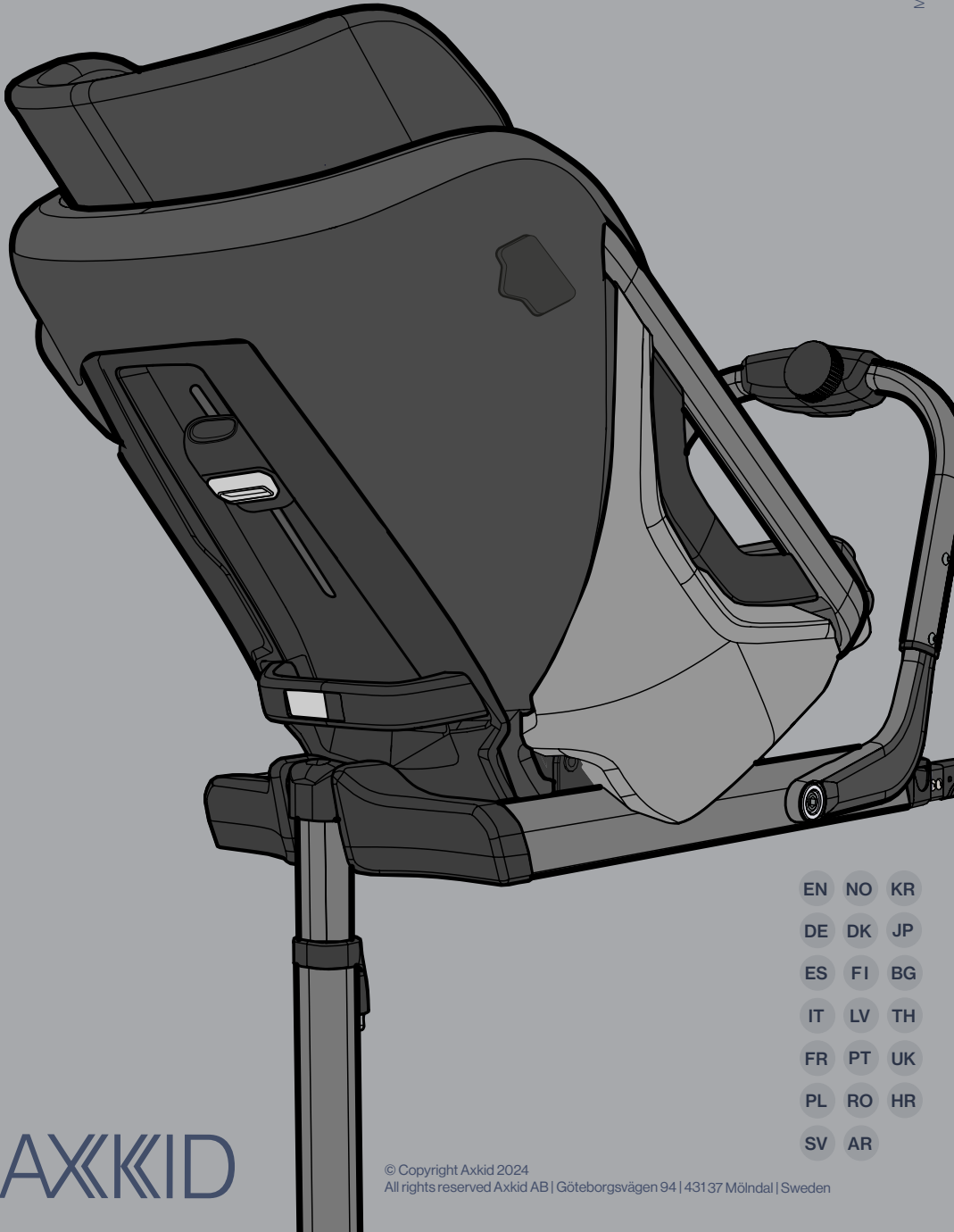
À DÉPOSER  
EN MAGASIN

À DÉPOSER  
EN DÉCHÈTERIE

OU

À DÉPOSER  
EN DÉCHÈTERIE

Points de collecte sur [www.quefairede mesdechets.fr](http://www.quefairede mesdechets.fr)  
Privilégiez la réparation ou le don de votre appareil !



- EN NO KR
- DE DK JP
- ES FI BG
- IT LV TH
- FR PT UK
- PL RO HR
- SV AR

AXKID